

# ECOPHON<sup>®</sup> Solo<sup>™</sup> Rectangle

## Installation Manual

## DESIGN AND SPECIFICATIONS

### Use of the Product

Ecophon Solo panels are a high performance sound absorber, capable of being used as the primary acoustic solution when a traditional acoustic ceiling is neither feasible nor aesthetically desirable. Ecophon Solo is a unique free-hanging unit offering a myriad of design possibilities which can be achieved through various color and suspension options.

### Size Availability

2400mm x 1200mm (≈ 94.5"x47.25")  
1800mm x 1200mm (≈ 70.9" x 47.25")  
Thickness: 40mm (≈ 1.5")

### Surfaces

Ecophon Solo panels are manufactured from high-density fiberglass, boasting an industry-high recycled content [70% post-consumer]. The surface itself consists of the Akutex<sup>™</sup> FT finish, which is highly light reflective [85%] and provides exceptional light diffusion [+99%]. The Akutex<sup>™</sup> FT finish covers both sides of the panel.

### Accessibility

The panels are easily demountable.

### Influence of Climate

Install in conditions that do not exceed 70% relative humidity and 77-degrees Fahrenheit

### Edge Detail

The panels have square edges that are fully painted.

### Attachment

There are two methods for attachment for the panels. The first is the use of adjustable wire hangers, for variable elevations. The second is the use of adjustable brackets, for applications close to the structure. Method of attachment to the structure of any accessory is provided by others.

### Weight

The 2400mm x 1200mm x 40mm panels have an approximate weight of 25.4 lbs. The 1800mm x 1200mm x 40mm x panels have an approximate weight of 19.5 lbs.

### Cleaning

Daily dusting and vacuum cleaning. Weekly wet wiping.

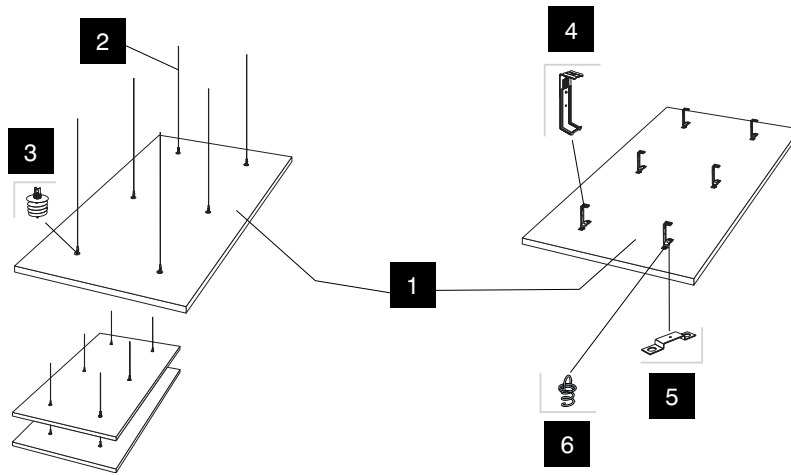
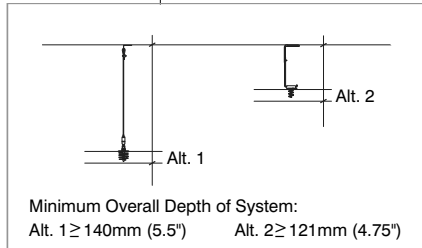
### Fire Performance

Panels have been tested according to ASTM E84 (Flame Spread ≤ 25) and ASTM E1263 (Smoke Development ≤ 50).

# Installation for Ecophon® Solo™ Rectangle Ceiling Panel 2400mm x 1200mm (≈94.5" x 47.25")

## Panel 1800mm x 1200mm (≈70.9" x 47.25")

Prior to installation it is recommended to read the manual thoroughly.



- 1** Ecophon Solo Rectangle  
1200 x 2400mm (≈ 47.25" x 94.5")



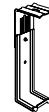
- 2** Connect adjustable wire hanger



- 3** Connect absorber anchor



- 4** Connect adjustable bracket



- 5** Connect fixing plate



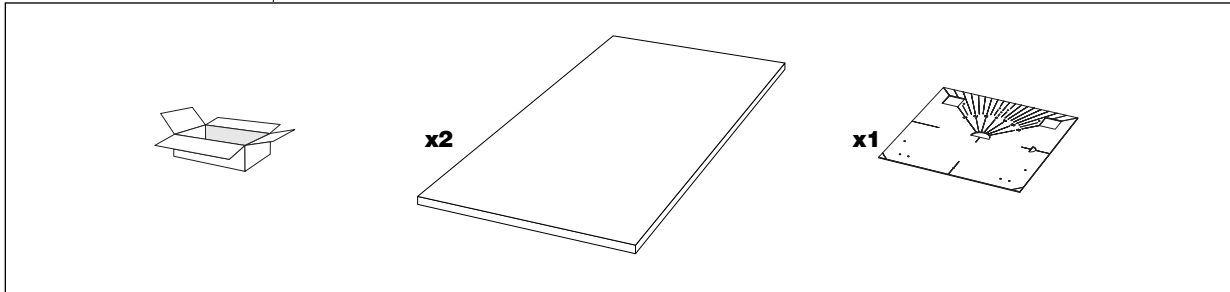
- 6** Connect spiral anchor flat



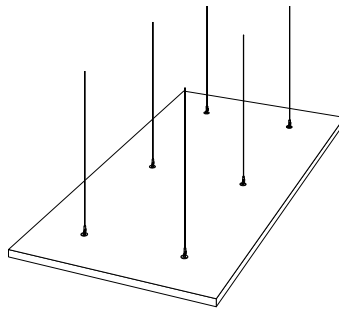
# Installation for Ecophon® Solo™ Rectangle Ceiling

Panel 2400mm x 1200mm (≈94.5" x 47.25")

Panel 1800mm x 1200mm (≈70.9" x 47.25")

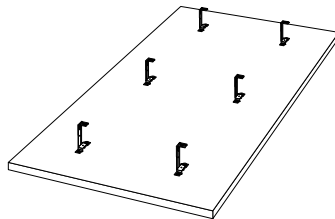


Alt. 1

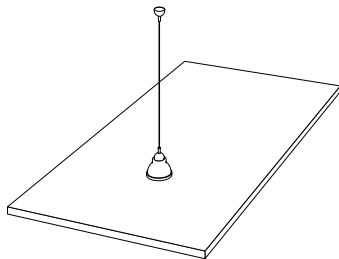


1

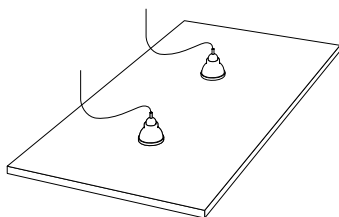
Alt. 2



10

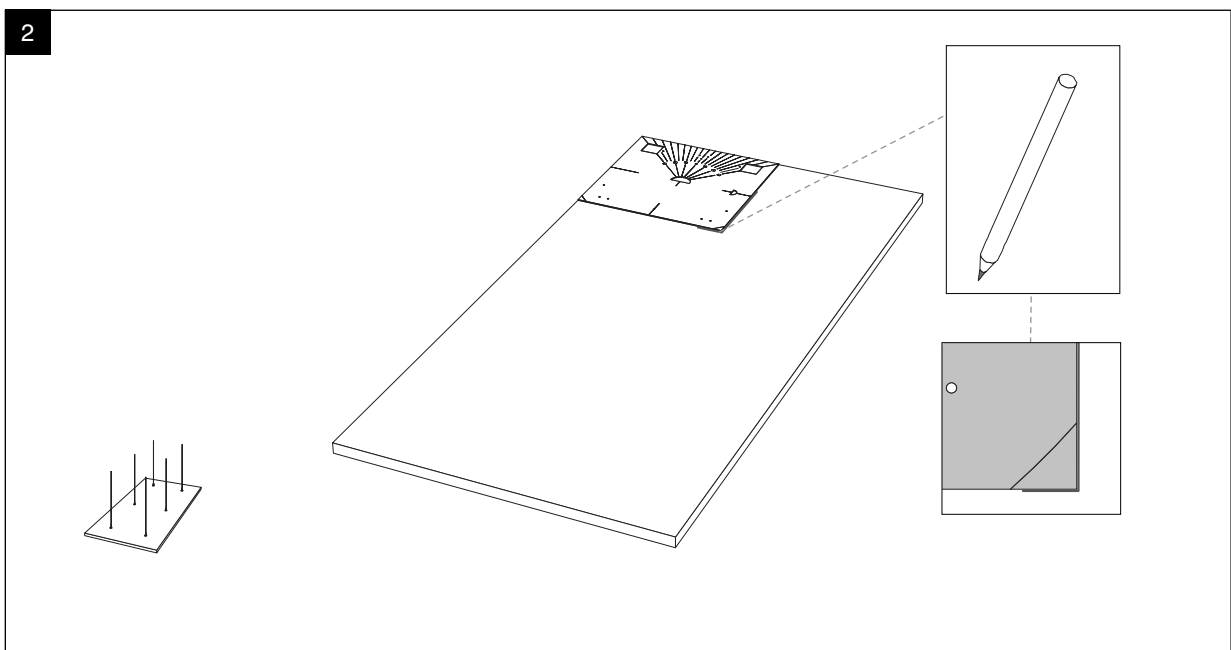
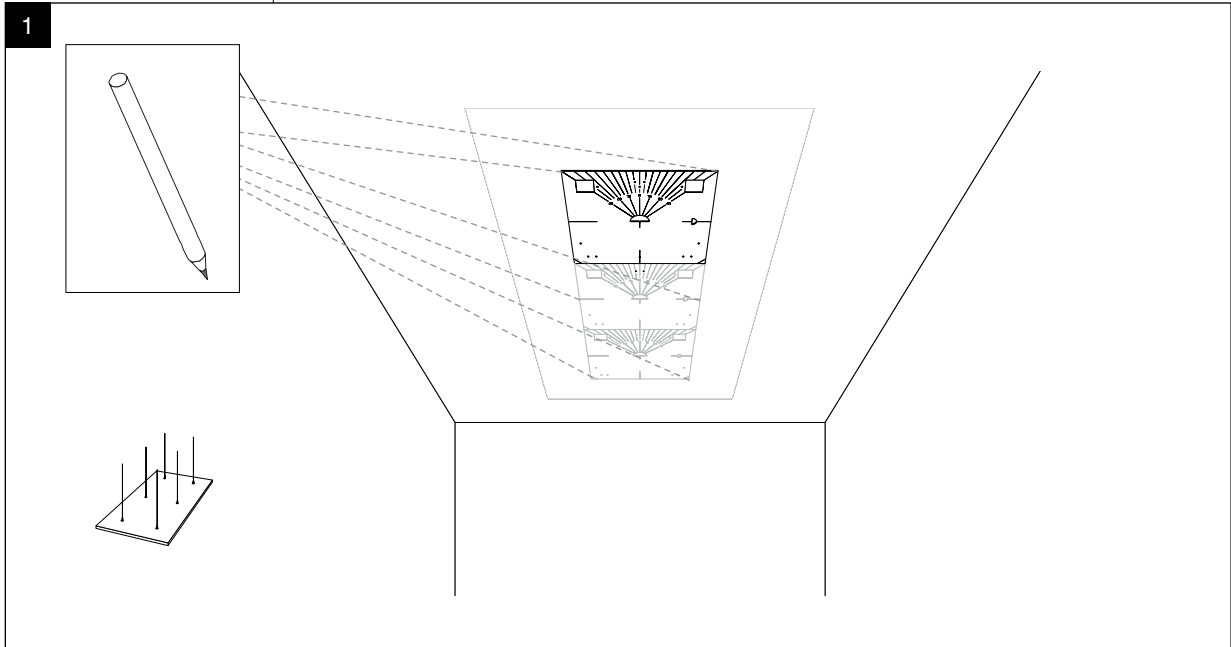


16

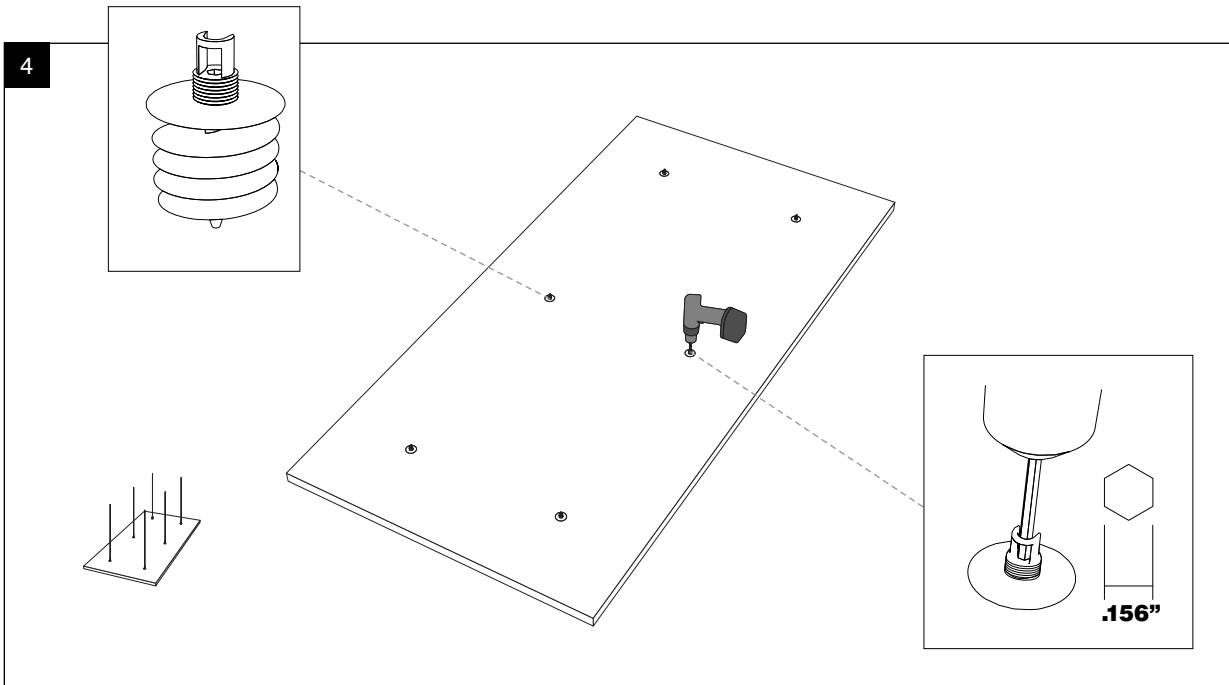
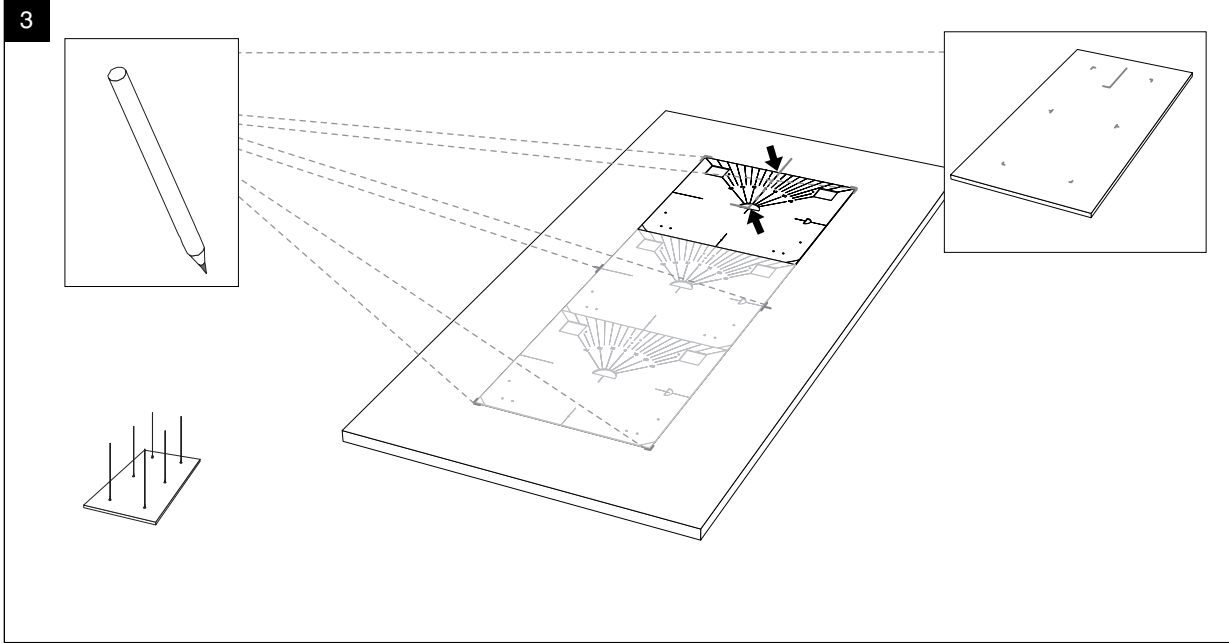


20

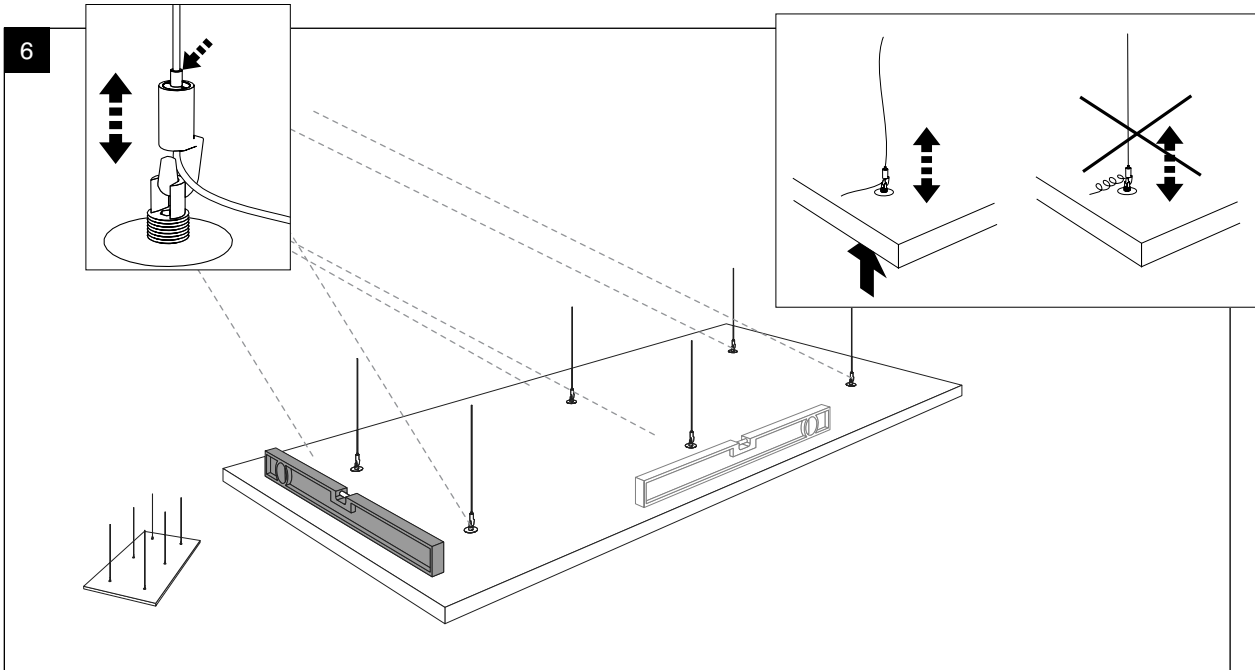
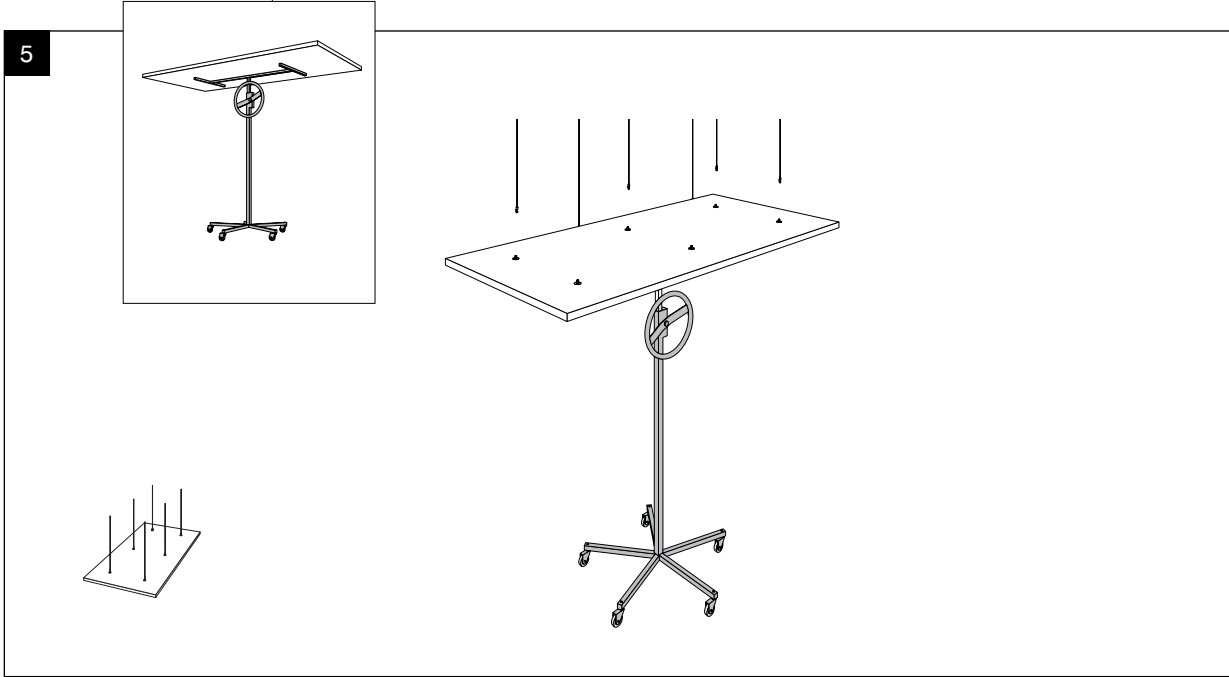
Installation for Ecophon® Solo™ Rectangle Ceiling Panel –  
Connect Adjustable Wire Hanger Application  
Panel 2400mm x 1200mm (≈94.5" x 47.25")  
Panel 1800mm x 1200mm (≈70.9" x 47.25")



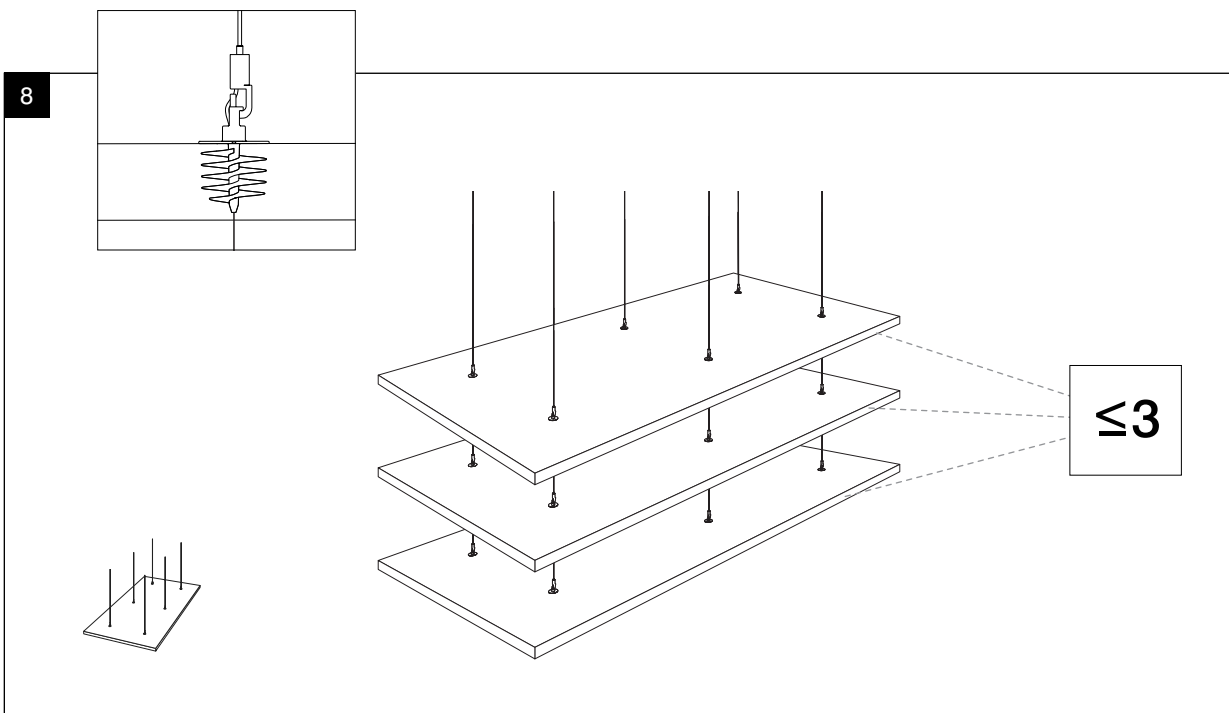
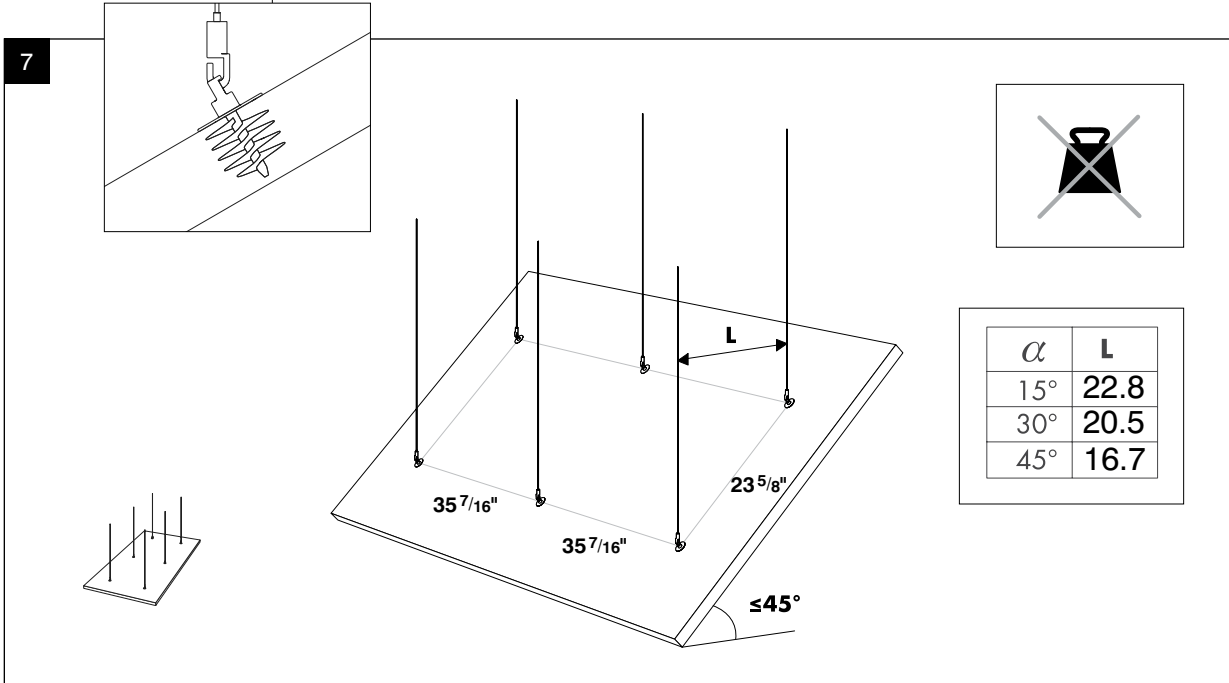
Installation for Ecophon® Solo™ Rectangle Ceiling Panel –  
Connect Adjustable Wire Hanger Application  
Panel 2400mm x 1200mm (≈94.5" x 47.25")  
Panel 1800mm x 1200mm (≈70.9" x 47.25")



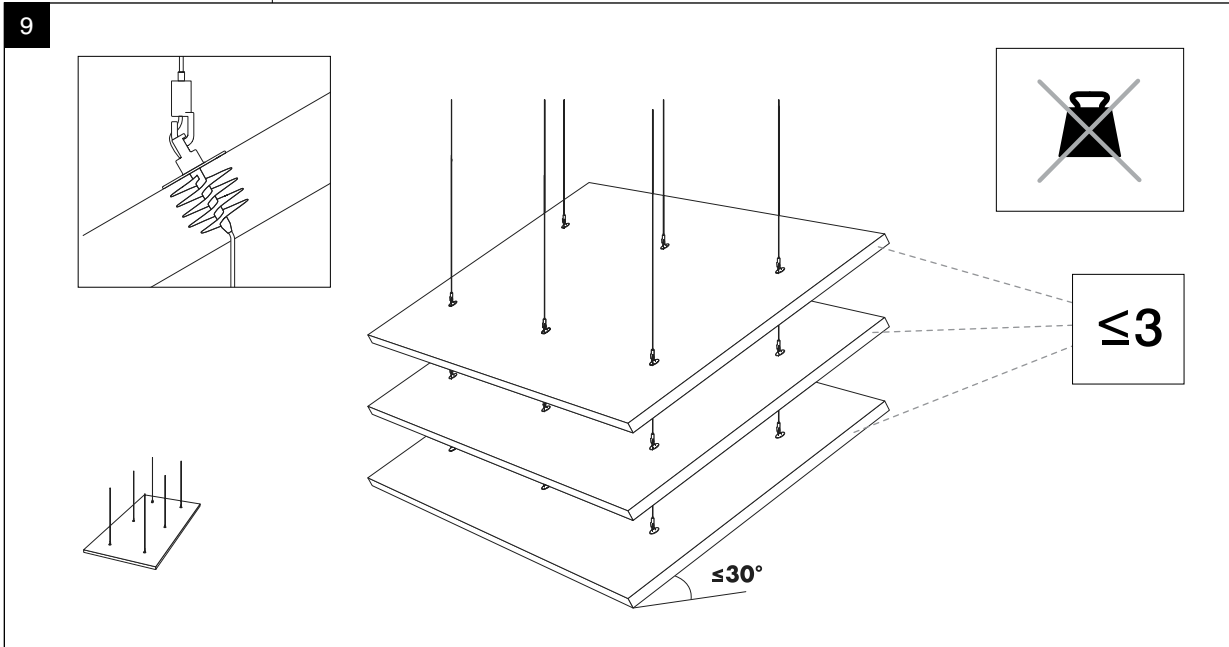
Installation for Ecophon® Solo™ Rectangle Ceiling Panel –  
Connect Adjustable Wire Hanger Application  
Panel 2400mm x 1200mm (≈94.5" x 47.25")  
Panel 1800mm x 1200mm (≈70.9" x 47.25")



Installation for Ecophon® Solo™ Rectangle Ceiling Panel –  
 Connect Adjustable Wire Hanger Application  
 Panel 2400mm x 1200mm (≈94.5" x 47.25")  
 Panel 1800mm x 1200mm (≈70.9" x 47.25")



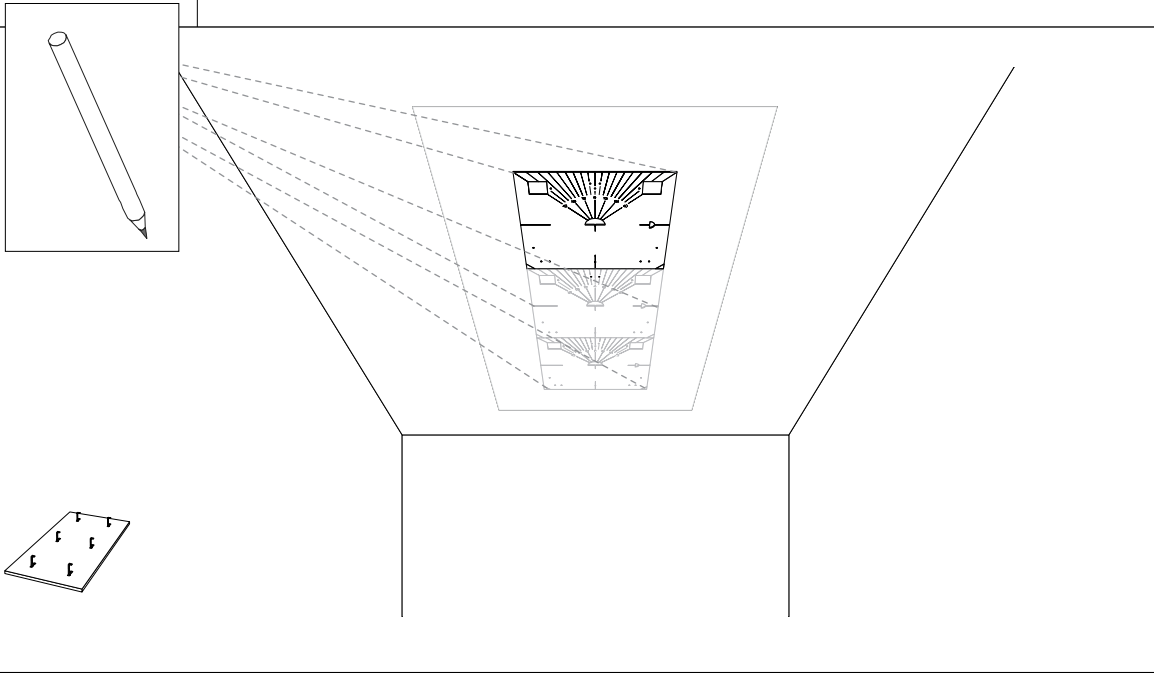
Installation for Ecophon® Solo™ Rectangle Ceiling Panel –  
Connect Adjustable Wire Hanger Application  
Panel 2400mm x 1200mm (≈94.5" x 47.25")  
Panel 1800mm x 1200mm (≈70.9" x 47.25")



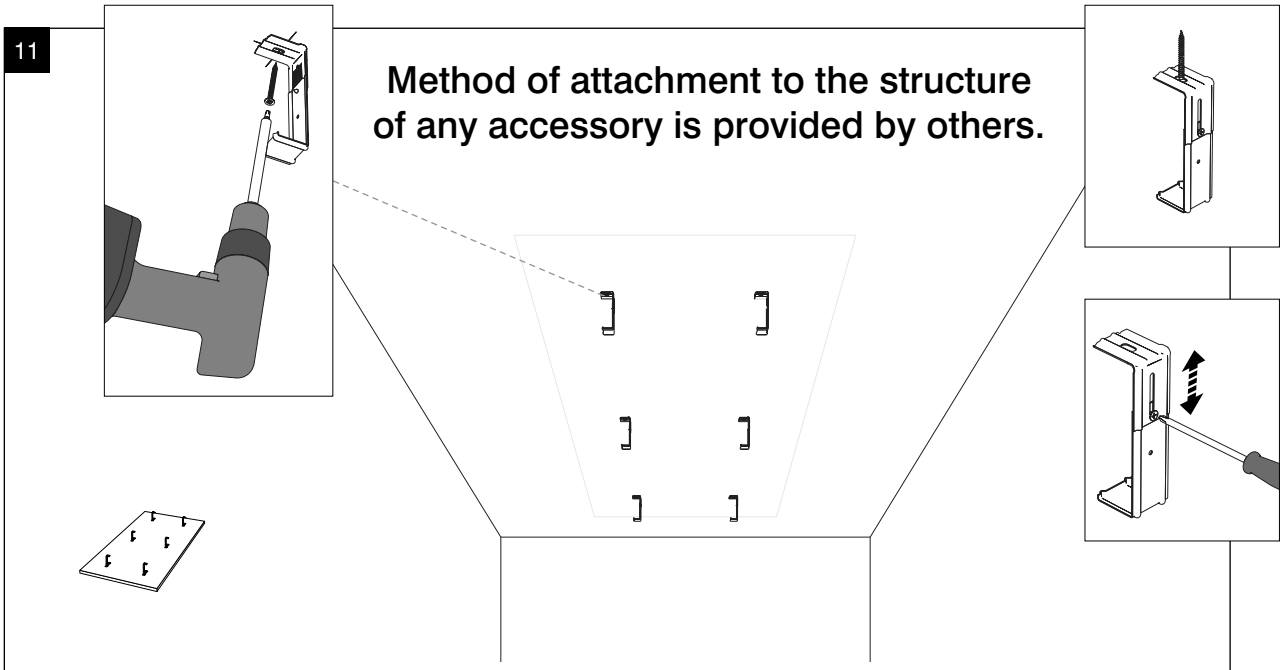


Installation for Ecophon® Solo™ Rectangle Ceiling Panel –  
Connect Adjustable Bracket Application  
Panel 2400mm x 1200mm (≈94.5" x 47.25")  
Panel 1800mm x 1200mm (≈70.9" x 47.25")

10

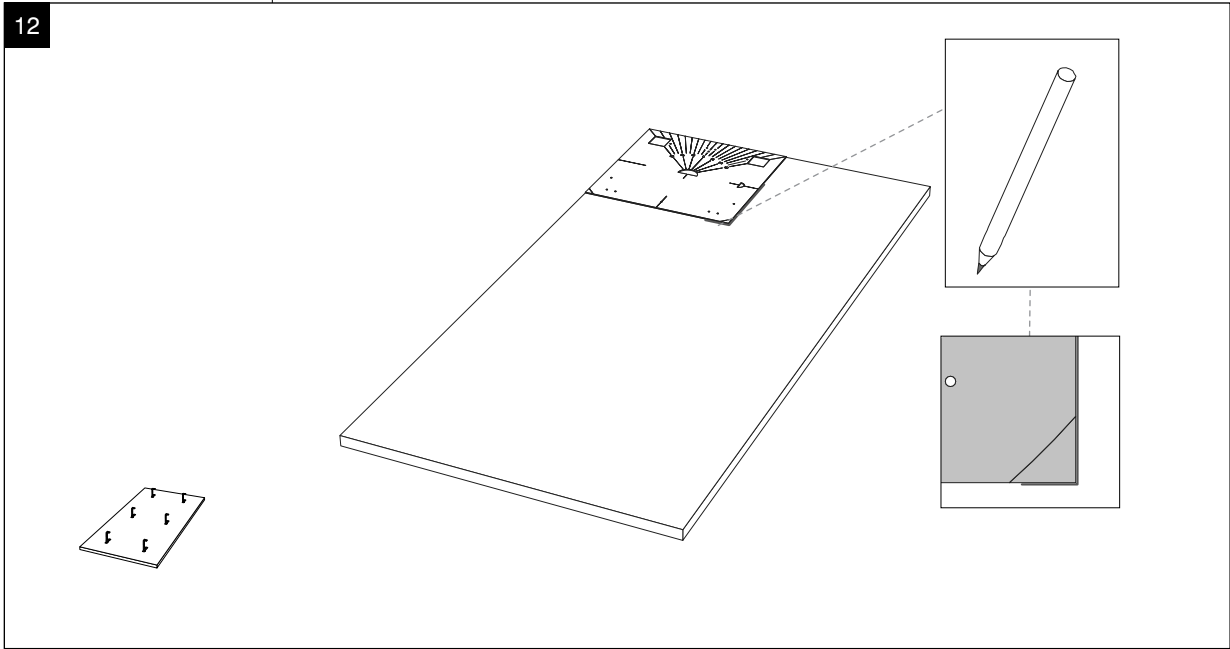


11

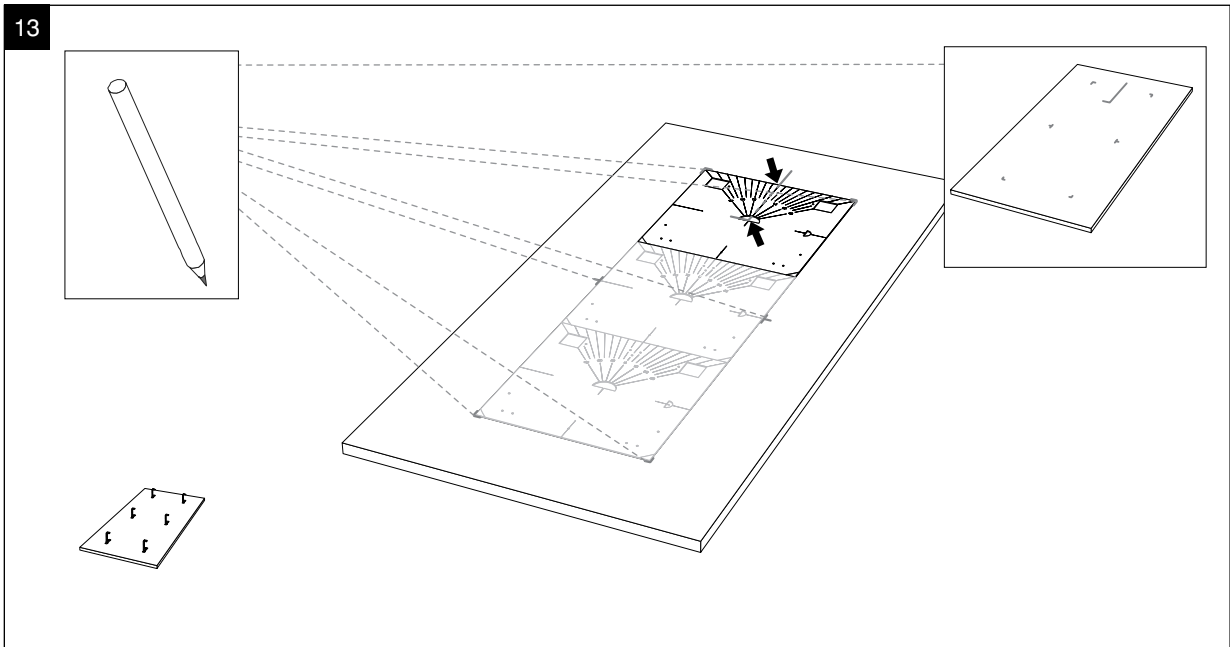


Installation for Ecophon® Solo™ Rectangle Ceiling Panel –  
Connect Adjustable Bracket Application  
Panel 2400mm x 1200mm (≈94.5" x 47.25")  
Panel 1800mm x 1200mm (≈70.9" x 47.25")

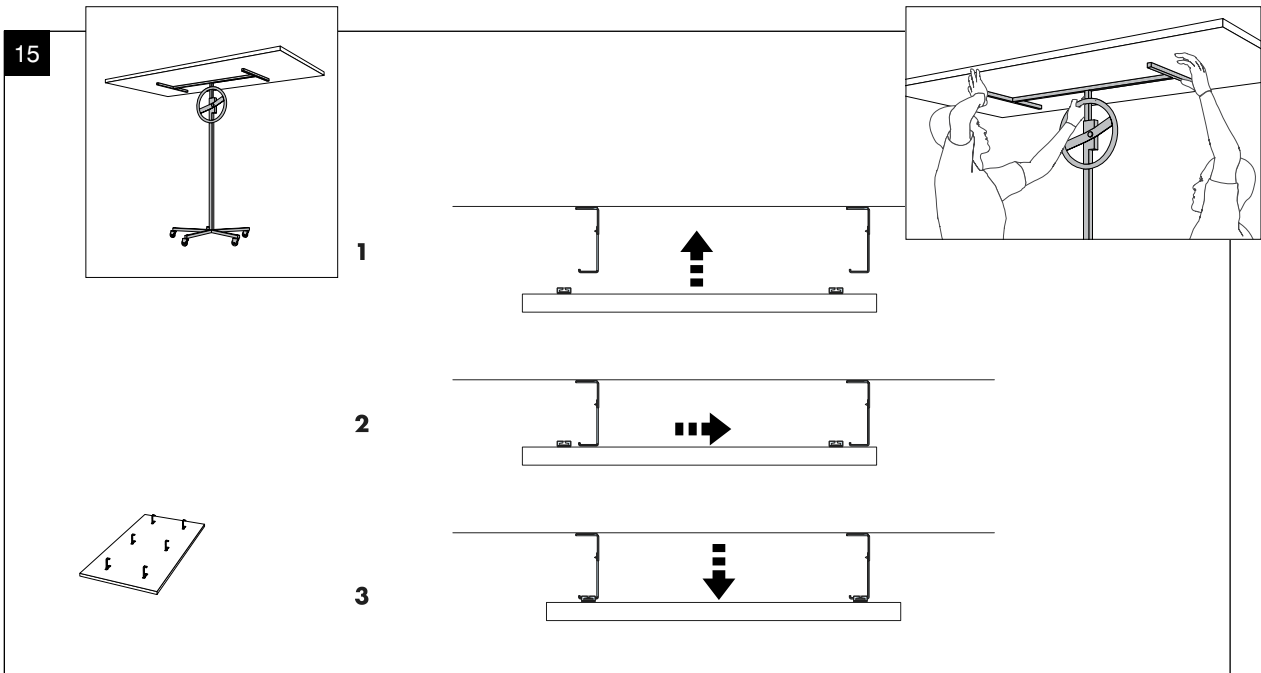
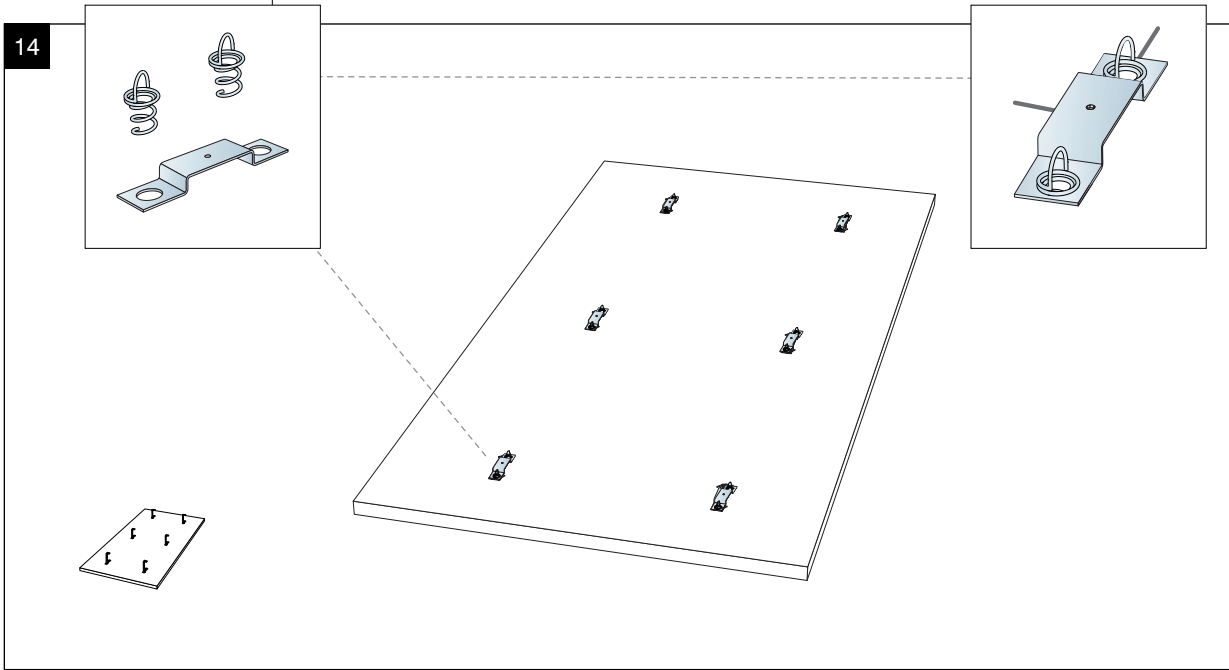
12



13

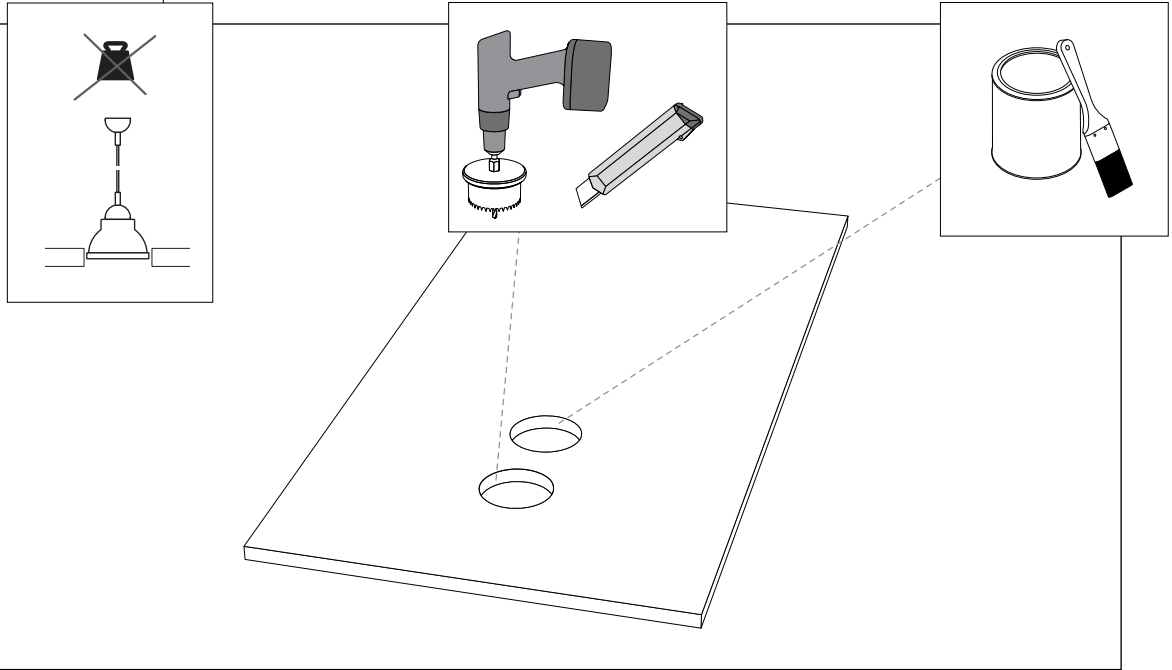


Installation for Ecophon® Solo™ Rectangle Ceiling Panel –  
Connect Adjustable Bracket Application  
Panel 2400mm x 1200mm (≈94.5" x 47.25")  
Panel 1800mm x 1200mm (≈70.9" x 47.25")

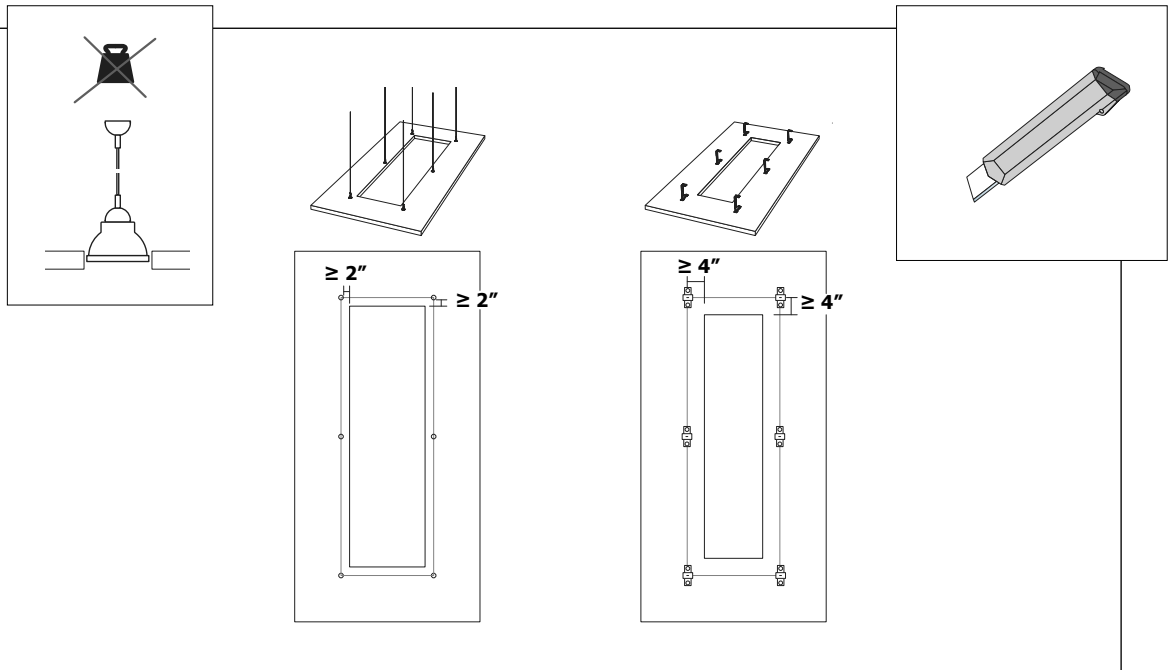


Installation for Ecophon® Solo™ Rectangle Ceiling Panel –  
Hole Placement Without Panel Support  
Panel 2400mm x 1200mm (≈94.5" x 47.25")  
Panel 1800mm x 1200mm (≈70.9" x 47.25")

16

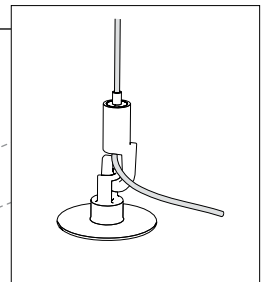
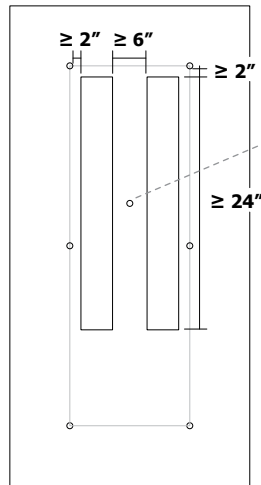
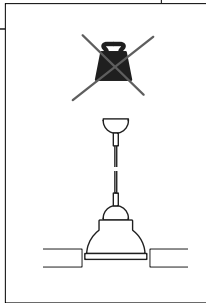


17

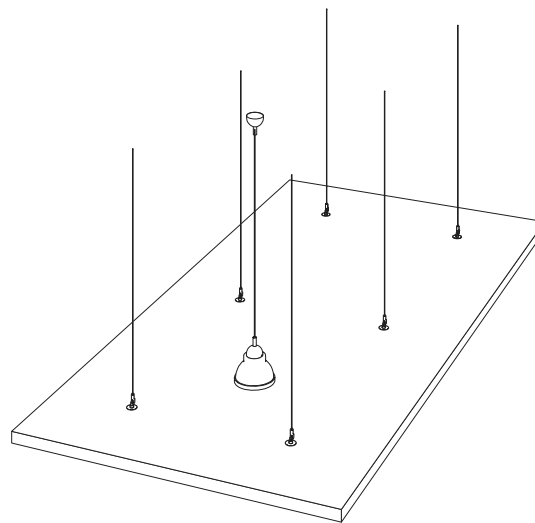
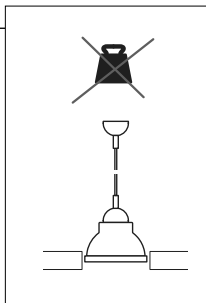


Installation for Ecophon® Solo™ Rectangle Ceiling Panel –  
Hole Placement Without Panel Support  
Panel 2400mm x 1200mm (≈94.5" x 47.25")  
Panel 1800mm x 1200mm (≈70.9" x 47.25")

18

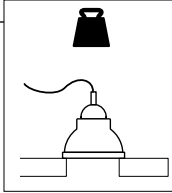


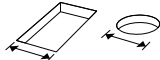
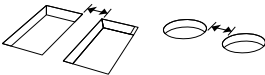
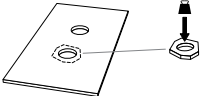
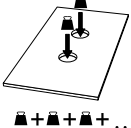
19



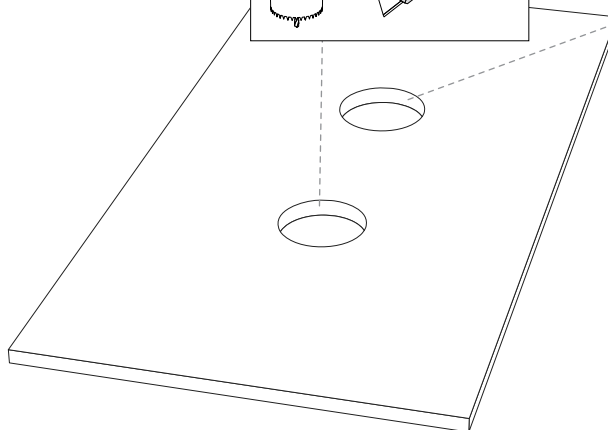
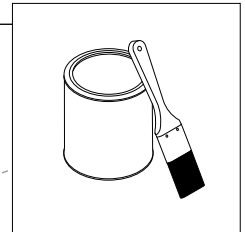
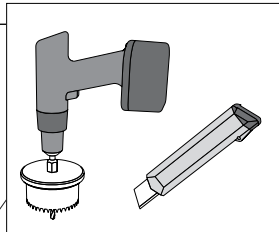
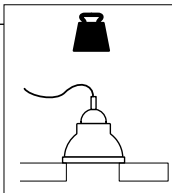
Installation for Ecophon® Solo™ Rectangle Ceiling Panel –  
 Hole Placement With Panel Support  
 Panel 2400mm x 1200mm (≈94.5" x 47.25")  
 Panel 1800mm x 1200mm (≈70.9" x 47.25")

20



	<b>If hole size is:</b> less than 4"	<b>If hole size is:</b> less than 4-12"	<b>If hole size is:</b> less than 12-20"
	<b>Then space between holes must be:</b> at least 6"	<b>Then space between holes must be:</b> at least 6"	<b>Then space between holes must be:</b> at least 6"
	<b>And max weight per hole:</b> 1 lbs or less	<b>And max weight per hole:</b> 4 lbs or less	<b>And max weight per hole:</b> 4 lbs or less
	<b>Total weight across all holes in panel:</b> 10 lbs or less	<b>Total weight across all holes in panel:</b> 10 lbs or less	<b>Total weight across all holes in panel:</b> 10 lbs or less

21

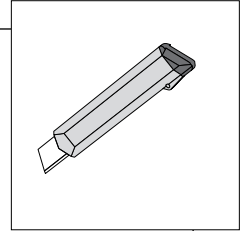
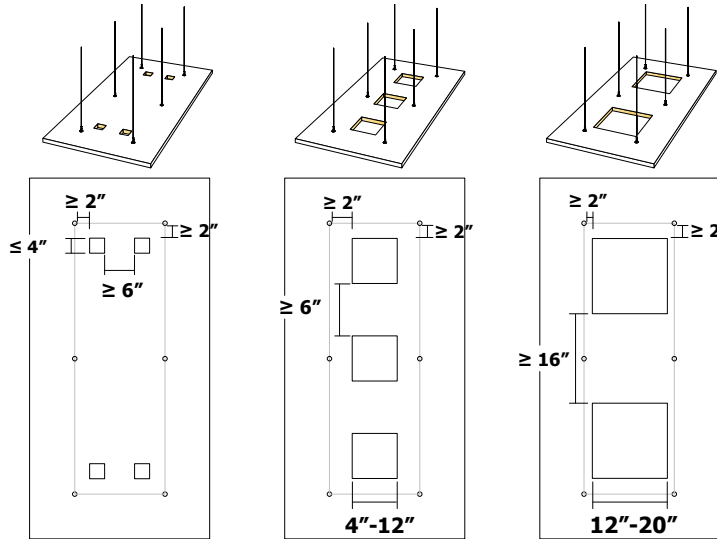
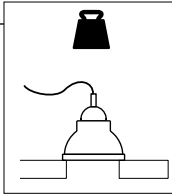


# Installation for Ecophon® Solo™ Rectangle Ceiling Panel – Hole Placement With Panel Support

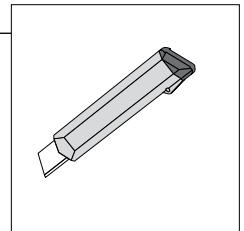
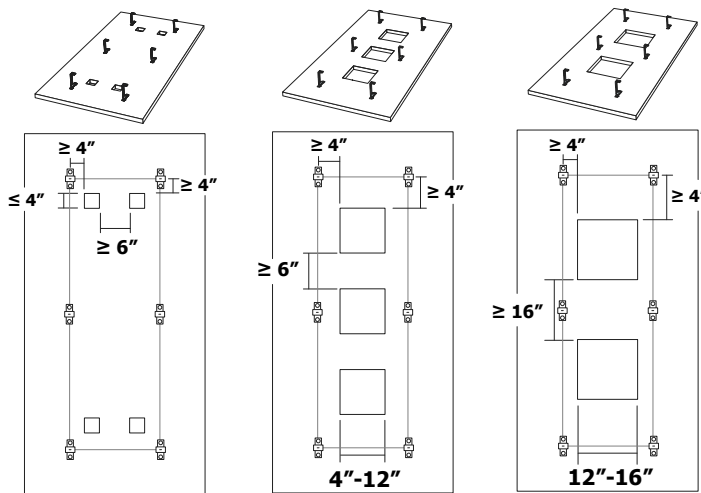
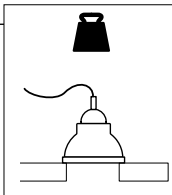
Panel 2400mm x 1200mm (≈94.5" x 47.25")

Panel 1800mm x 1200mm (≈70.9" x 47.25")

22

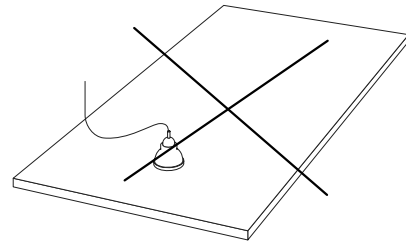
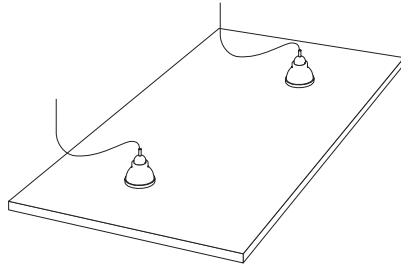
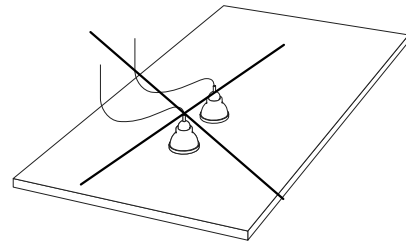
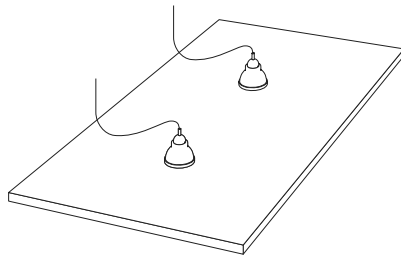
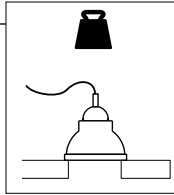


23



Installation for Ecophon® Solo™ Rectangle Ceiling Panel –  
Hole Placement With Panel Support  
Panel 2400mm x 1200mm (≈94.5" x 47.25")  
Panel 1800mm x 1200mm (≈70.9" x 47.25")

24



**ASK ABOUT ALL OF OUR OTHER CERTAINTEED® PRODUCTS AND SYSTEMS:**

ROOFING • SIDING • TRIM • DECKING • RAILING • FENCE  
GYPSUM • CEILINGS • INSULATION

[www.certainteed.com](http://www.certainteed.com) <http://blog.certainteed.com>

CertainTeed Corporation  
20 Moores Road  
Malvern, PA 19355

Professional: 800-233-8990  
Consumer: 800-782-8777

© 10/17 CertainTeed Corporation  
Code No. CTC-02-111