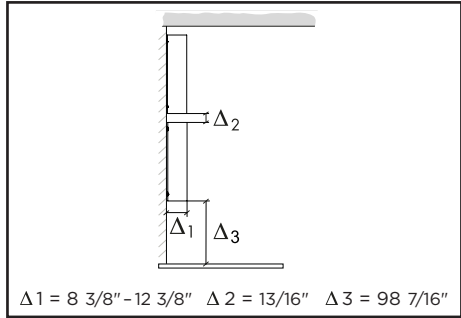
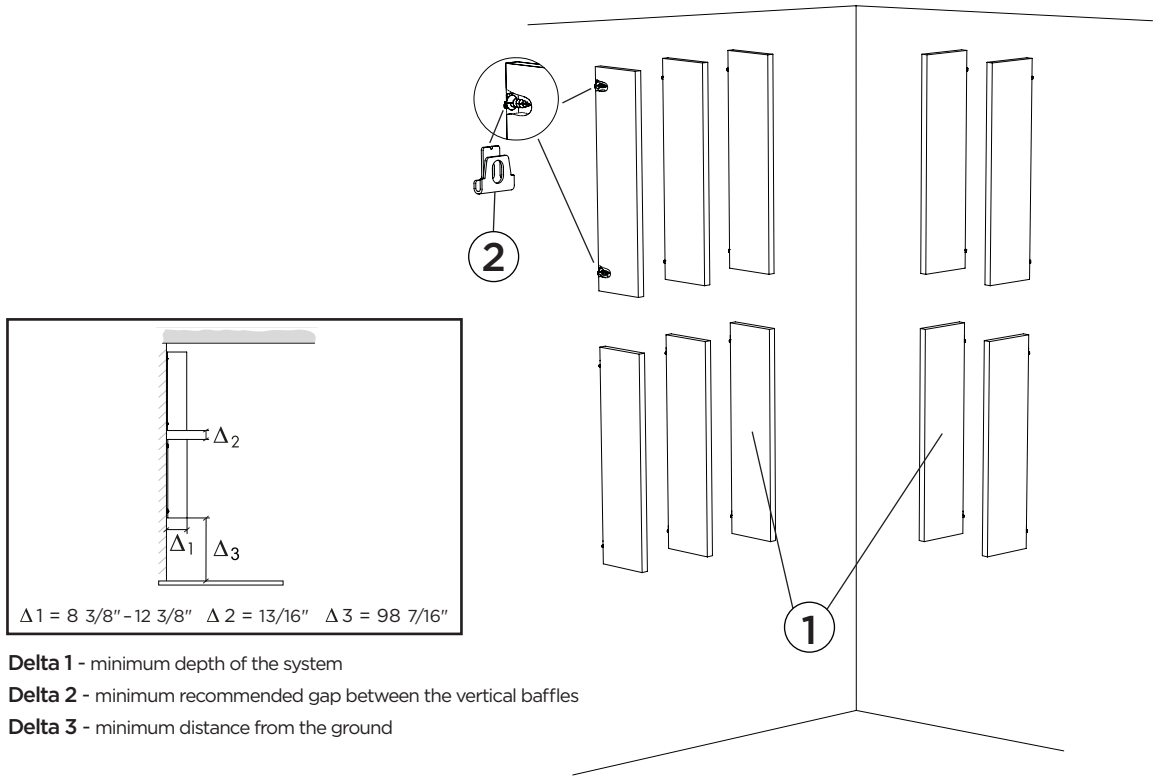


Ecophon® Solo™ Baffle on Wall

Installation Manual

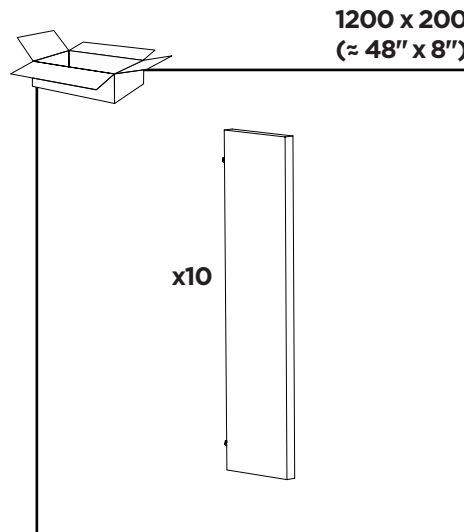
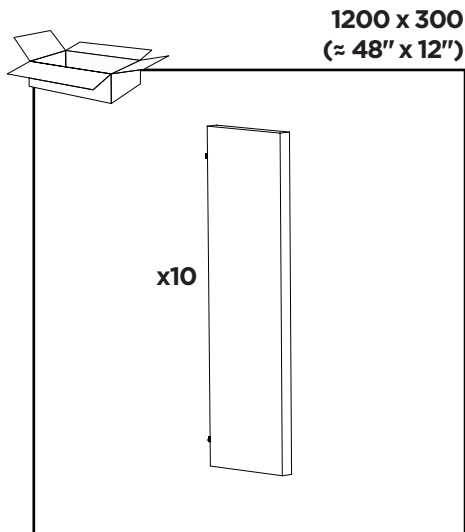
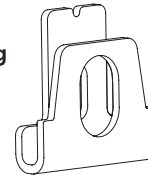


$\Delta 1 = 8 \frac{3}{8}'' - 12 \frac{3}{8}''$ $\Delta 2 = 13/16''$ $\Delta 3 = 98 \frac{7}{16}''$

- Delta 1** - minimum depth of the system
- Delta 2** - minimum recommended gap between the vertical baffles
- Delta 3** - minimum distance from the ground

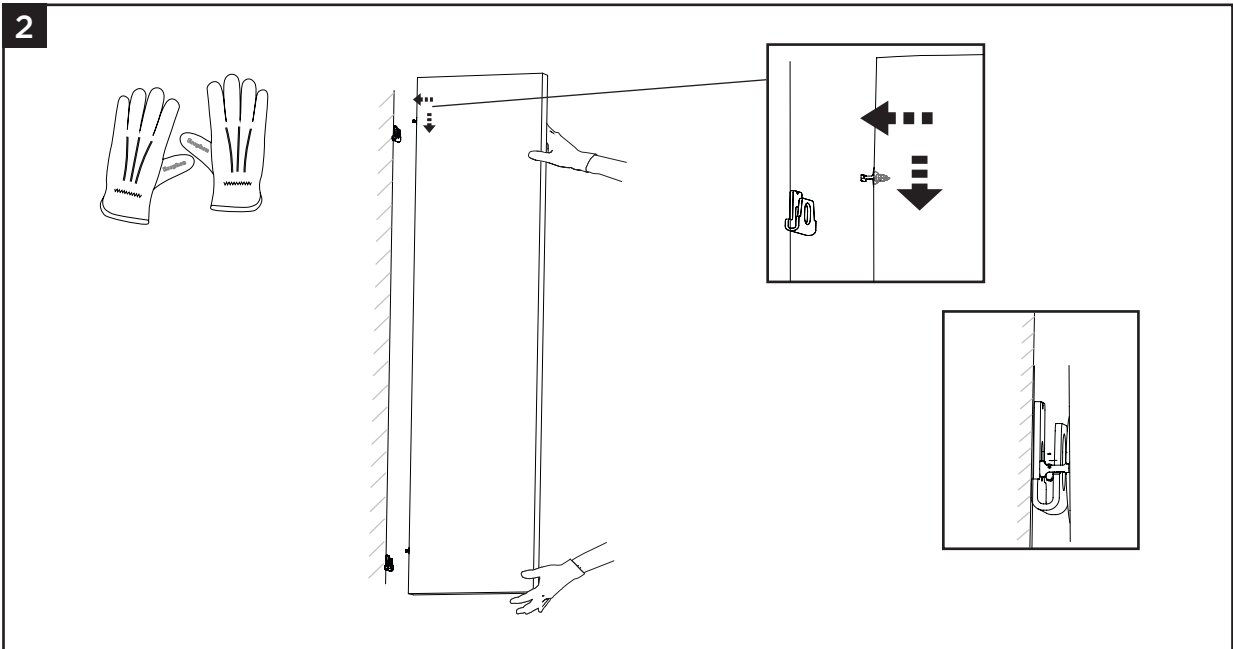
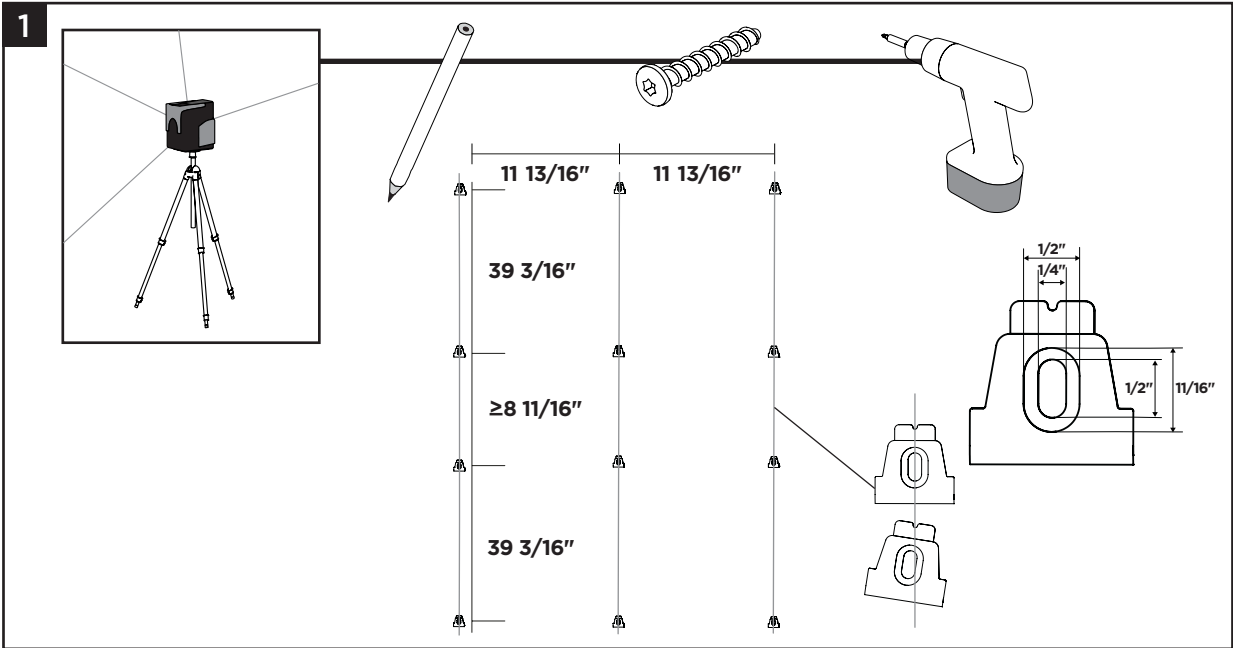
1. Ecophon Solo Baffle Anchor
 1200x300 (≈ 48" x 12"),
 1200x200 (≈ 48" x 8")

2. Baffle Wall Fixing
 2630 0047



Installation for Ecophon®Solo™ Baffle on Wall

Method of attachment to the structure of any accessory is provided by others.



CertainTeed ARCHITECTURAL PRODUCTS

METAL • WOOD • FELT • FIBERGLASS & MINERAL FIBER • GYPSUM • SUSPENSION & INTEGRATED SYSTEMS
 2424 Lakeshore Rd. West, Mississauga, ON L5J 1K4 800-233-8990 certainteed.ca/architectural