

CertainTeed Low-Slope Roof Systems



SmartFlash® ONE

FlintBoard®

FlintEDGE®

FlintFast®

For more information on CertainTeed Commercial Roofing Products, go to www.certainteed.com.

CertainTeed Flintlastic roofing products are intended for use by professional roofing contractors only. It is the responsibility of the installer to follow all appropriate and required safety precautions in conjunction with the installation of any CertainTeed roofing product.

Meets or exceeds ASTM D6164 (SA MidPly and SA Cap), ASTM D6163 (SA Cap FR) and ASTM D4601 (SA NailBase and PlyBase).



UL 2218 Class 4 Impact Resistance – Certain systems are UL classified as to impact resistance as described in the UL Roofing Materials and Systems Directory.



ICC-ES ESR-1388

certainteed
SAINT-GOBAIN

Self-Adhered SBS-Modified Bitumen Roof Systems

Flintlastic® SA

Installs in temperatures as low as 35°F (2°C) with the use of Arctic Edge™.



Flintlastic® SA Cap Colors

When To Use

CertainTeed Flintlastic® SA is a premium, self-adhered SBS-modified bitumen roofing system. Flintlastic SA Cap is available in a variety of “true-blend” colors to complement popular CertainTeed shingles.



Colors shown in samples and marketing literature may be slightly different than the installed product. Granule blends may vary slightly from one production run to the next but are often undistinguishable upon installation.

	Flintlastic® SA NailBase	Flintlastic SA PlyBase	Flintlastic SA MidPly	Flintlastic SA Cap	Flintlastic SA Cap FR
Roll Dimensions	64'6" x 39-3/8"	64'6" x 39-3/8"	32'1" x 39-3/8"	32'11" x 39-3/8"	32'11" x 39-3/8"
Thickness	1.5 mm	1.5 mm	2.8 mm	4.0 mm	3.2 mm
Weight	82 lbs	86 lbs	63 lbs	95 lbs	88 lbs.
Coverage	2 Squares	2 Squares	1 Square	1 Square	1 Square
Top Surface	Permanent Film	Permanent Film	Permanent Film	Mineral	Mineral
Bottom Surface	Sand	Removable Release Film	Removable Release Film	Removable Release Film	Removable Release Film
Reinforcement	Fiberglass Mat	Fiberglass Mat	Fiberglass Mat	Non-Woven Polyester Mat	Heavy Duty Fiberglass Mat
Tensile (lb/in)	65/40 (MD/CD)	65/40 (MD/CD)	75/50 (MD/CD)	85/67 (MD/CD)	64/58 (MD/CD)
Elongation (%) (at peak load)	6/5 (MD/CD)	6/5 (MD/CD)	5/5 (MD/CD)	61/66 (MD/CD)	4/4 (MD/CD)

BASE/ANCHOR & INTERPLY SHEETS			
Product	Use When	Weight/Unit	Coverage/Volume
Flintlastic® SA NailBase	Roof deck is nailable, such as plywood, and best practice is to mechanically attach a base sheet	82 lbs.	2 squares
Flintlastic SA PlyBase	Base ply will be fully adhered and desired warranty duration is 15-years; may also function as interply in 3-ply systems	86 lbs.	2 squares
Flintlastic SA MidPly	Base ply will be fully adhered and desired warranty duration is 20-years; may also function as interply in 3-ply systems	63 lbs.	1 square

CAP SHEETS			
Product	Use When	Weight/Unit	Coverage/Volume
Flintlastic SA Cap	Color variety is a priority and extreme protection against fire and hail are not needed	95 lbs.	1 square
Flintlastic SA Cap CoolStar®	High solar reflectivity is a priority and extreme protection against fire and hail are not needed	93.5 lbs.	1 square
Flintlastic SA Cap FR	Extreme protection against fire and/or hail are desired	88 lbs.	1 square
Flintlastic SA Cap FR CoolStar	High solar reflectivity and extreme protection against fire and/or hail are desired	88.5 lbs.	1 square

PRIMERS & ADHESIVES			
Product	Use When	Weight/Unit	Coverage/Volume
FlintPrime QD	Priming the roof deck is required or desired prior to the direct adhesion of Flintlastic SA PlyBase or MidPly.	50 lbs.	5G, 666 sq. ft.
FlintPrime Aerosol	Quickly priming small details such as fastener heads or metal detail surfaces prior self-adhering on top.	1.25 lbs.	15 oz., 18 sq. ft.
FlintBond® Caulk or Trowel	Preparing granulated surfaces for self-adhered overlaps (Trowel) and sealing detail edges (Caulk)	0.9 lbs. 28 lbs. 48 lbs.	10.1 oz., 24 lf. (1/4" bead); 3G, 120 lf. (4" wide, 1/8" thick); 5G, 200 lf. (4" wide, 1/8" thick)

*A hot air welder, in combination with a hand-held silicone roller, may also be used for these details in lieu of FlintBond and is required for cold weather application, in addition to Arctic Edge™ Cold Lap Tape.

Guidelines and Warranties

Where to Use

SUBSTRATE AND BASE SHEET/PLY GUIDELINES

Whether you mechanically attach a base sheet or self-adhere a base ply depends on your roof deck and use of insulation.

Deck	Insulation/Coverboard*	Base Sheet/Base Ply
Steel	Required	NailBase (MF), PlyBase, MidPly (SA)
Wood, Concrete	Optional	NailBase (MF)
	Optional, FlintPrime QD is recommended for direct adhesion to wood deck if base is self-adhered to deck	PlyBase, MidPly, (SA)
LWIC, Gypsum, Cementitious Wood Fiber, Wood Planks	Optional	NailBase (MF)
	Required if base is self-adhered	PlyBase, MidPly, (SA)

*FlintPrime QD may be required, contact CertainTeed Technical Services for more information.

System Warranties At A Glance

Warranty durations listed apply to both Integrity Roof System Limited Warranties and Integrity Roof System No Dollar Limit (NDL) Limited Warranties; the NDL Warranty Fee only applies to Integrity Roof System NDL Limited Warranties; there is no fee for Integrity Roof System Limited Warranties.

SA SYSTEM WITH ADHERED BASE PLY

Warranty Duration	NDL Warranty Fee (100 SQ Min.)	Insulation/Coverboard	Base	Interply	Cap	Re-Cover	Spec*
15 years	\$7.50/SQ	Optional	SA PlyBase ¹		SA Cap SA Cap FR	Prior approval required by CertainTeed Technical Department	SA-C-2-S
20 years	\$12.50/SQ	Optional	SA MidPly ¹				SA-I-2-S
25 years	\$12.50/SQ	Double layer, 2nd layer adhered	SA PlyBase	SA PlyBase	SA-C-3-S		
25 years	\$15.00/SQ	Double layer, 2nd layer adhered	SA MidPly		SA-I-3-S SA-I-2-S		

SA SYSTEM WITH MECHANICALLY ATTACHED BASE SHEET

Warranty Duration	NDL Warranty Fee (100 SQ Min.)	Insulation/Coverboard	Base	Interply	Cap	Re-Cover	Spec*
12 years	\$4.00/SQ	Optional	SA NailBase		SA Cap SA Cap FR	Approved	SA-IN-2-S SA-N-2-S
15 years	\$7.50/SQ	Optional	SA NailBase	SA PlyBase		Prior approval required by CertainTeed Technical Department	
20 years	\$12.50/SQ	Optional	SA NailBase	SA MidPly	SA-N-3-S		
25 years	\$15.00/SQ	Single layer, minimum 1.5"	SA NailBase	SA MidPly	SA-IN-3-S		

NOTE: Star contractors have the option to offer their customers a 25% warranty duration extension with the CertainTeed Integrity Maintenance Coverage program. *Refer to CertainTeed Commercial Systems Specifications.

¹When self-adhering a base layer over wood, priming is recommended. When self-adhering a base layer over OSB, priming is required. Self-adhering over wood/OSB decks is not permitted by code in Miami-Dade County; check your local building code. At the end of the roofing membrane's life, roofing membranes self-adhered over wood/OSB decks will require replacement of the deck. Self-adhering to resinous wood, such as pine, is prohibited. Roof systems self-adhered to wood/OSB decks are limited to Integrity Roof System Limited Warranties.

Where can I use it?

The value associated with labor savings and safety can be applied to any roof project. In addition, Flintlastic SA roof systems are ideal when access to the roof is limited, such as high-rise buildings. And no asphalt kettle means no odor, which makes SA systems an ideal solution on healthcare, education, hospitality and residences/condos where occupant comfort is tremendously desirable.

What Are The Advantages?

Self-adhered roofing offers the time-tested protection of modified bitumen roof systems for a fraction of the labor with no fumes, flame, asphalt kettle or occupant disturbance. The application of self-adhered low-slope roof systems is also easier to master than traditional bituminous application methods.

Flintlastic SA systems are valued for:

- Superior initial and long-term bonds
- Excellent applicator handleability in hot or cold temperatures
- Allowed application temperatures as low as 35°F (cold weather application instructions must be followed when ambient temperatures are between 35°F - 49°F)
- Wide array of cap sheet colors true-blended to complement popular CertainTeed shingles
- National stocking at all CertainTeed facilities with mix-truck allowance (shingles/Flintlastic SA)
- Excellent sales and applicator support

Considerations for Intended Use

If multiple SA products are listed, products are listed in order of warranty duration from shortest to longest, with the exception of SA Cap and SA Cap FR; SA Cap FR is intended for use where Class A fire rating is required (see iq.ulprospector.com for Class A system specification).

NOTE: Removal of the roof system (at end of life) may be difficult when adhering PlyBase or MidPly direct to a roof deck (i.e. wood, concrete).

Energy Savings

Flintlastic SA Cap and SA Cap FR are available with CoolStar® highly reflective granules. Specific product details can be found on product technical data sheets or by viewing www.coolroofs.org.

Pre-Application Considerations

SA Specific Tools

- A weighted roller for pressing the membrane into place, 2" to 4" in diameter (70 lbs.)
- Suitable trowel for applying FlintBond to flashing details
- Roofer's knife with hooked blade
- Caulk gun for applying beads of FlintBond
- Seam probing tool to check for voids
- Hot Air Welder for cold weather applications or, if preferred, for flashing details year round
- **AS NEEDED:** Long-handled (standing) roller with 1/8"- 1/4" nap for applying primer (1/8" nap for smooth surfaces, 1/4" nap for more porous surfaces)

Storage

- Store Flintlastic® SA rolls indoors on upright pallets, protected from the elements. Improperly stored rolls or those that have been warehoused for prolonged periods of time may lose their tack and should not be used.
- In cold weather, rolls MUST be stored indoors, minimum 60°F, or in warming huts prior to application. Allow material to relax a minimum of 15 minutes prior to installation. Avoid allowing rolls to fall below 50°F to avoid material contraction.

General Precautions

- Do not attempt application if ice, snow, moisture, or dew are present.
- When ambient temperatures are between 35°F and 49°F, cold weather application instructions must be followed. See Flintlastic SA Cold Weather Applicator Guide.
- NEVER INSTALL COLD ROLLS. If ambient temperatures are below 50°F ensure rolls are kept in a heated location and draw materials as needed. If exposed to cold temperatures, allow a sufficient time for them to warm to 50°F. never use a torch to heat rolls.
- Flintlastic SA membranes are designed to be applied together in fully self-adhered roof systems. Flintlastic SA base sheets may also be used in hybrid roof systems with a torch-applied cap. However, Flintlastic SA base sheets cannot

be paired with cap sheets applied with hot asphalt or cold adhesive. Flintlastic SA Cap (or SA Cap FR) cannot be applied to any other base sheets other than as described here.

- Cut rolls to manageable lengths and allow to relax, unrolled, at a minimum 50°F ambient temperature, for a minimum of 15 minutes prior to installation.
- All plies of the assembly should be installed in one day. If any other base sheet must be exposed for longer periods of time, cover with tarp or suitable alternate protection.
- Substrates must be free of dust, dirt, oil, debris and moisture.
- When applying Flintlastic self-adhered membranes on slopes exceeding 1" in 12", membranes shall be back nailed (see Appendix for detail).
- When applied parallel to the slope, Flintlastic self-adhered membranes shall be blind-nailed at end laps 2" in from top edge, 6" o.c. through tin discs and to wood nailers. (See General Requirements Section of CertainTeed Commercial Roof Systems Specifications Manual for details.)
- If the material isn't bonding, **STOP** the application immediately!
- Refer to **Field Details Reference** for width of starting course to ensure sidelaps within the roof system are staggered/offset from each other.

Field Details Reference

	2-PLY SYSTEMS		3-PLY SYSTEMS		
	Base	Cap	Base	Ply	Cap
Starter row width	19-11/16" (1/2 roll)	39-3/8" (full roll)	26-1/4" (2/3 roll)	19-11/16" (1/2 roll)	39-3/8" (full roll)
Side laps	2"	3"	2"	2"	3"
End laps, staggered 36"	4"	6"	4"	4"	6"

Primers & Adhesives

- If primer is used, it must be applied at the specified rate and be allowed to cure as specified.
- When using FlintBond® for flashing details, target 1/4" FlintBond bleed out at endlap areas. Be careful not to roll weighted roller into bleed out.

Do not use cold adhesives, such as FlintBond, with Flintlastic self-adhered membranes other than for flashing details and cap sheet overlaps as described here.

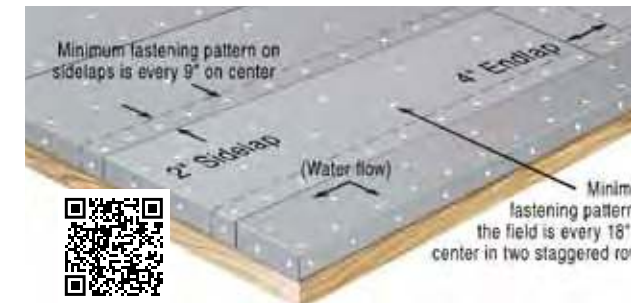
Base Application

Base Sheet – Mechanically Attached

Prior to application of the base sheet, inspect the roof substrate to make sure it is free of dust, dirt, oil, debris and moisture. **Refer to Field Details Reference** for width of starter course.

Begin at the low point of the roof. Position base to allow for a 2" overhang at perimeter edges. Mechanically fasten Flintlastic SA NailBase to nailable deck using appropriate fasteners (**see Fasteners Chart**).

Install so that no sidelaps are against the flow of water. A minimum fastening pattern is every 9" on



Fasteners Chart

Standard (Round Head) Roofing Nails and Cap

(Note: CertainTeed does not permit the use of plastic caps)

For use with Base Sheet, Flash/Termination Bar on Plywood Decks, Non Veneer Decks, Wood Plank Decks



Large Head Roofing Nails

For use with Base Sheet, Flash/Termination Bar on Plywood Decks, Non Veneer Decks, Wood Plank Decks



Base Sheet Fasteners for some Cementitious Roof Decks

For use with Base Sheet on Light Weight Insulation Concrete, Poured Gypsum

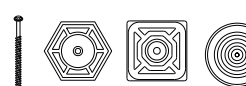


Self-Locking Fasteners

For use with Base Sheet on Cement/Wood Fiber



Insulation Fasteners



center on sidelaps and every 18" on center in two staggered rows in the field of the sheet. Overlap base sheet sidelaps a minimum 2" and endlaps 4". Turn base sheet over fascia by 2" and fasten. Offset endlaps of adjacent courses a minimum of 3".

Do Not Leave Base Sheet Exposed To The Weather. Cover in the same day with optional SA interply and/or SA Cap (FR).

Base Ply – Self-Adhered

SA PlyBase or SA MidPly may be self-adhered to approved substrates. (**See Approved Substrates Reference table.** In accordance with published exclusions from warranty coverage CertainTeed shall not be held responsible for failure caused by settlement, deflection, movement, moisture content, inadequate attachment, or other deficiencies of the roof deck, preexisting roof system, walls, foundations or any other part of the building structure, insulation or other materials underlying the product.)

Approved Substrates For Direct Adhesion Reference

Base Sheets

- Flintlastic® SA NailBase • Flintlastic SA PlyBase • Flintlastic SA MidPly

Insulation

- FlintBoard® ISO & ISO Cold (polyisocyanurate insulation)

Cover Board

- High density fiberboard (ASTM C208 & 209 – primed boards only) – i.e. STRUCTODEK® High Density Fiberboard with Primed Red Coating²
- Asphalt coated cover boards
- Gypsum based cover board products (priming may be required): – USG Securock® Gypsum-Fiber Roof Board
- Georgia Pacific DensDeck® Roof Boards: – DensDeck (priming is required) – DensDeck Prime (priming is not required but will enhance adhesion)
- Zip System^{®2}
- FlintBoard HD or High density polyisocyanurate (ASTM C1278, Type II, Class 4)

Decks

- Structural concrete decks* (priming is required) – *Lightweight Structural Concrete is subject to greater moisture content and not acceptable for direct adherence of Flintlastic SA self-adhering products
- 1/4" APA Rated Exterior Grade Plywood is recommended (priming is required)
- 1/2" APA Rated Exterior Grade Oriented Strand Board (OSB) is required (priming is required)

Precautions: Direct adhesion is not permitted by code in Miami-Dade County; check your local building code; At the end of the roofing membrane's life, roofing membranes directly adhered to wood roof decks will require replacement of the Self-adhering to wood plank decks constructed of resinous woods, such as pine, is prohibited.

¹Please refer to reverse side for CertainTeed Flintlastic SA Limited Warranties on wood substrates.

²When self-adhering direct to these substrates, eligible for Asphaltic Membrane Limited Warranty on Systems only. Warranty on Materials and Asphaltic Membrane Limited Warranty on Systems only.

Base Application



If the roof system calls for a self-adhered base sheet, priming may be required. When using FlintPrime® QD allow to dry thoroughly. If substrate (i.e. FlintBoard ISO) is attached with fasteners, prime exposed metal with FlintPrime Aerosol before adhering either SA PlyBase or SA MidPly.



Before adhering a base ply, sweep the surface of the deck or insulation to remove any debris that could interfere with adhesion. Refer to **Field Details Reference** for starter course width.



Begin at the low point of the roof. Position base to allow for a 2" overhang at perimeter edges.



Fold the membrane back halfway lengthwise to remove the split release film.



Press membrane securely into place and repeat with the opposite half of the membrane. Turn base ply over fascia by 2" and fasten.

Base Application



Use a heavy, weighted roller over the entire surface of the PlyBase or MidPly to secure the membrane. Work from the center of the roll outwards across the width to eliminate air pockets; **DO NOT** roll lengthwise as it can cause the roll to stretch.



Overlap sidelaps of subsequent SA PlyBase or SA MidPly membrane courses a minimum 2" and endlaps 4". Offset endlaps of adjacent courses a minimum 3'.



Cut endlaps at opposing diagonal corners at an angle approximately 5-1/2" long by the over lap dimension (2" or 3") to minimize water incursion at T-seams. See Appendix CT-22 ENDLAP DETAIL.

Apply a bead or small trowel dab (quarter size) of FlintBond SBS-Modified Bitumen Adhesive, Caulk or Trowel grade, at the edge of the angled cut. Use of a hand-held hot air gun at the joint area prior to rolling the membrane will maximize adhesion. It is recommended to apply a bead of FlintBond® SBS-Modified Bitumen Adhesive, Caulk grade, at all SA PlyBase or SA MidPly side and endlaps edges to eliminate a capillary.

Do Not Leave Base Sheet Exposed To The Weather. Cover in the same day with optional SA interply and/or SA Cap/SA Cap FR.

Interply Application

Optional, Specification and Warranty Duration Dependent

Note: Proceed to “Before Installing Flintlastic® SA Cap (or SA Cap FR)” if installing a 2-ply system. Before installing interply, sweep the underlying base sheet/ply to remove any debris that could interfere with adhesion. Refer to **Field Details Reference** for starter course width.



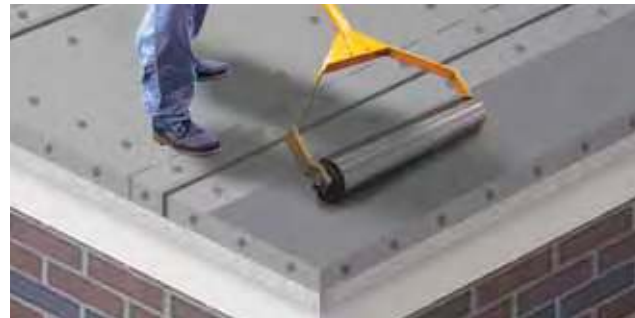
Begin at the low point of the roof. Position interply flush to roof edge. Install so that no sidelaps are against the flow of water.



Fold the membrane back halfway lengthwise to remove the split release film.



Press membrane securely into place and repeat with the opposite half of the membrane.



Use a heavy, weighted roller over the entire surface to secure the membrane. Work from the center of the roll outwards across the width to eliminate air pockets; **DO NOT** roll lengthwise as it can cause the roll to stretch.



Overlap sidelaps of subsequent SA PlyBase or SA MidPly membrane courses a minimum 2" and endlaps 4". Offset (stagger) endlaps of adjacent courses a minimum 3'.



Cut endlaps at opposing diagonal corners at an angle approximately 5-1/2" long by the overlap dimension (2" or 3") to minimize water incursion at T-seams. See Appendix, CT-22 ENDLAP DETAIL. Apply a bead or small trowel dab (quarter size) of FlintBond® SBS Modified Bitumen Adhesive, Caulk or Trowel grade, at the edge of the angled cut.

Edge Metal Application

Use of a hand-held hot air gun at the joint area prior to rolling the membrane will maximize adhesion.



It is recommended to apply a bead of FlintBond® SBS Modified Bitumen Adhesive, Caulk grade, at all SA PlyBase or SA MidPly side and endlap edges to eliminate a capillary.

Do Not Leave Base Sheet Exposed To The Weather. Cover in the same day with SA Cap (FR).

If roof edge detail utilizes edge metal, proceed as follows.

Edge Metal for Two-Ply Systems (with no interply)



If an interply is not installed, adhere a 9" wide flashing strip of SA PlyBase or SA MidPly (material assumed to match base sheet if fully adhered) onto the field of the roof and flush to the roof edge; miter cut at corners to avoid overlap. Install minimum 26 gauge edge metal using appropriate fasteners, set entirely in a uniform 1/8" - 1/4" thick troweling of FlintBond. Fasten edge metal into the deck using appropriate fasteners (**see Fastener Chart**), spaced 4" on center in two staggered rows. See Appendix CT-01 EDGE FLASHING. Remove any oil from the metal surface using a vinegar and water solution. Prime the horizontal surface of the metal with FlintPrime Aerosol and allow primer to dry/tackify.



Edge Metal for Three-Ply Systems (with interply)

If an interply has been installed, install minimum 26 gauge edge metal using appropriate fasteners and set entirely in a uniform 1/8" - 1/4" thick troweling of FlintBond. Fasten edge metal through the metal surface, into the deck using appropriate fasteners (**see Fastener Chart**), spaced 4" on center in two staggered rows. Remove any oil from the metal surface using a vinegar and water solution. Prime the horizontal surface of the metal with FlintPrime® Aerosol and allow to dry/tackify. Before installing Flintlastic SA Cap or SA Cap FR, sweep the underlying sheet to remove any debris that could interfere with adhesion. Refer to **Field Details Reference** for starter course width.

Cap Application

Before installing Flintlastic® SA Cap or SA Cap FR, sweep the underlying sheet to remove any debris that could interfere with adhesion. Refer to **Field Details Reference** for starter course width.



Begin at the low point of the roof. Position cap flush to roof edge with selvage edge at high side of the roof. Install so that no sidelaps are against the flow of water.



Fold back lower half of the cap to remove the split release film.



Press cap securely into place and repeat with the opposite half.



Use a heavy, weighted roller over the entire surface to secure the membrane. Work from the center of the roll outwards across the width to eliminate air pockets; **DO NOT** roll lengthwise as it can cause the roll to stretch.



Overlap sidelaps of subsequent courses a minimum 3" and endlaps 6". Offset endlaps of adjacent courses a minimum 3'. As subsequent membranes are installed, remove the selvage edge release strip just prior to overlapping to keep the adhesive area protected and clean.



Cut endlaps at opposing diagonal corners at an angle approx. 3" by 5-1/2" from the corners to minimize water incursion at T-seams. Treat rake edge application similarly, cutting diagonal corners off Cap selvage edge above rake metal.

Cap Application

One of the following options must be followed for any granule over granule overlap, such as an endlap:



1. Apply a uniform 1/8" - 1/4" troweling of FlintBond® adhesive to the entire 6" width of the underlying sheet, extending beyond underlying lap 1/4" or;



2. Apply heat from a hot-air welder with a 2" tip to the overlapped sheet while applying rolling pressure from a silicone roller to the overlapping sheet. With the hot air welder set between 900°F-1,100°F (setting 8-10), apply heat to the overlapped granulated surface while bonding the overlapping cap with rolling pressure. Roll the overlapping SA Cap in place, moving the hot air welder to allow for forward progress. Avoid applying so much heat or moving at a pace that results in smoke. A 6" endlap requires three passes. Apply a bead of FlintBond® Caulk along the edge.

WHEN AMBIENT TEMPERATURES ARE BETWEEN 35°F - 49°F THE HOT-AIR WELDER METHOD MUST BE APPLIED. (See Flintlastic SA Cold Weather Applicator Guide for further details.)

Once the membrane has had a chance to bond, check all laps and joints for full adhesion. If the membrane can be lifted at any area it is not properly adhered. A seam probing tool can be helpful to check for voids at laps. If necessary, use appropriate hand-held hot air welding tool and seam roller or an application of FlintBond to seal unbonded areas if they exist.

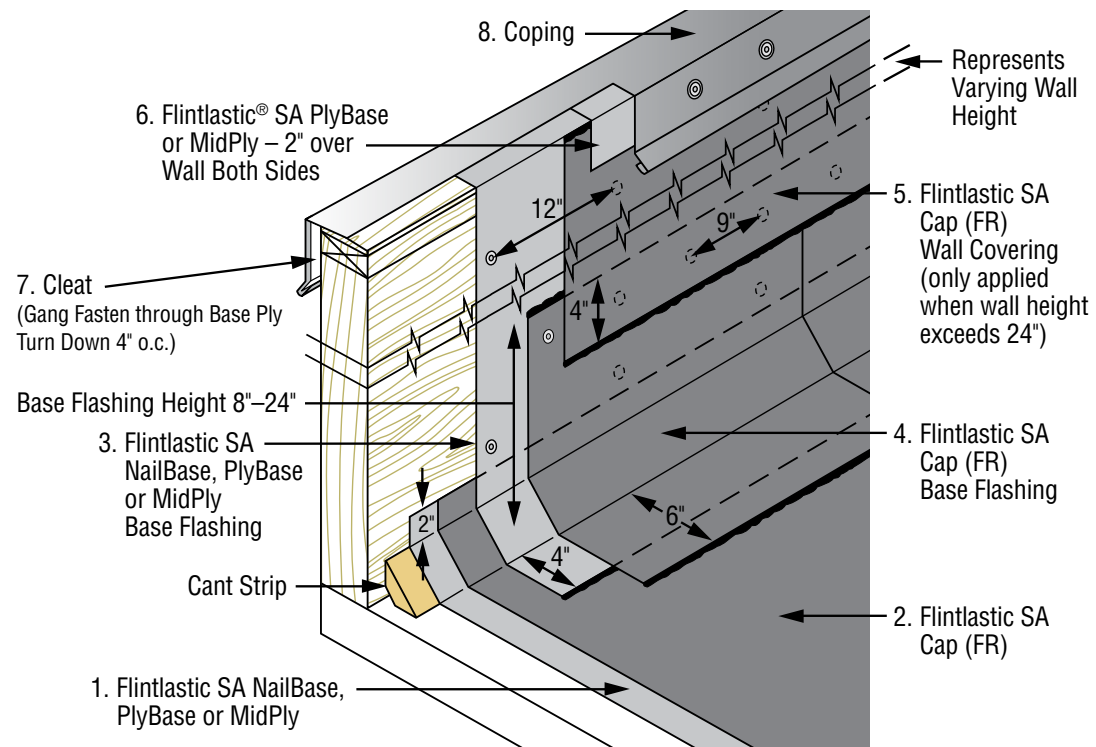
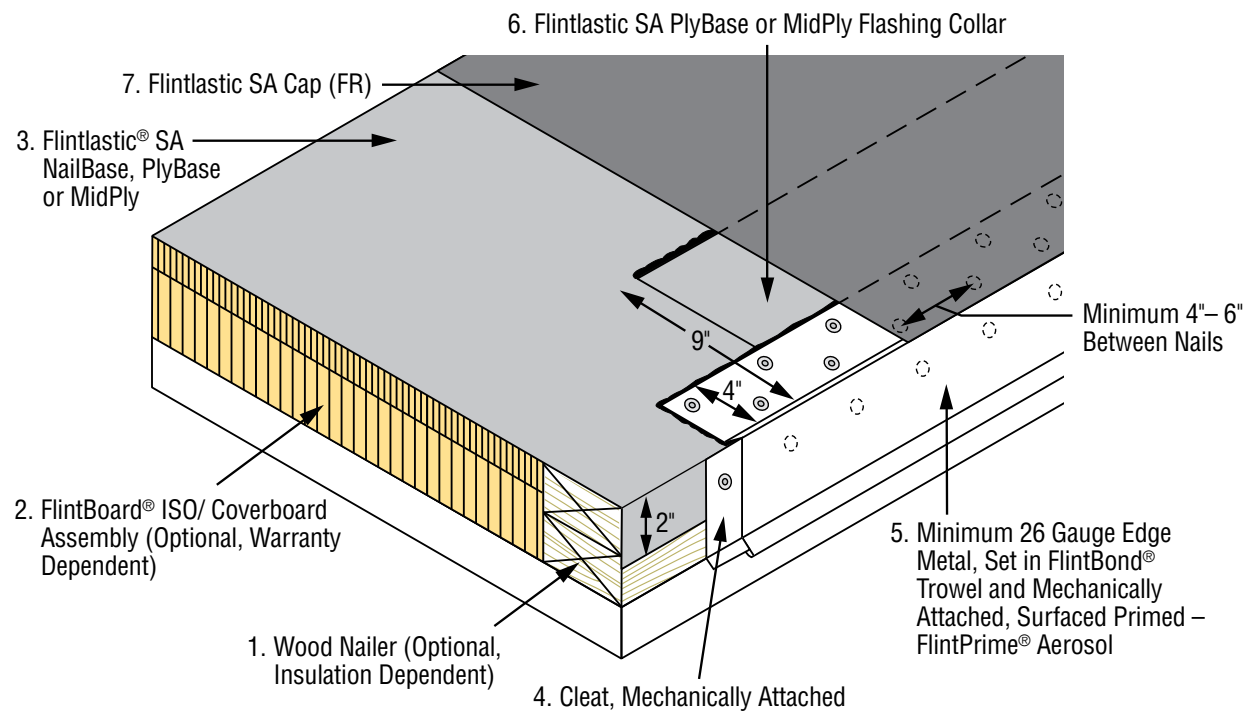
Construction Details

Included in this manual are a few common construction details. Please refer to CertainTeed Low-Slope Applicator Guide or certainteed.com for complete details. Important to note with all details;

- All metal must be primed and set in FlintBond Trowel adhesive and
- All overlaps over granule surfacing must utilize either FlintBond® Trowel or the combination of a hot-air welder and silicone roller (cold weather requirement).

Typical Construction Details – Flintlastic® SA 2 Ply Systems

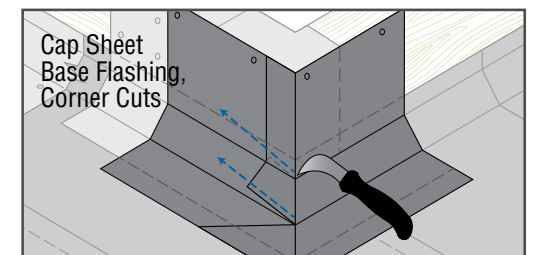
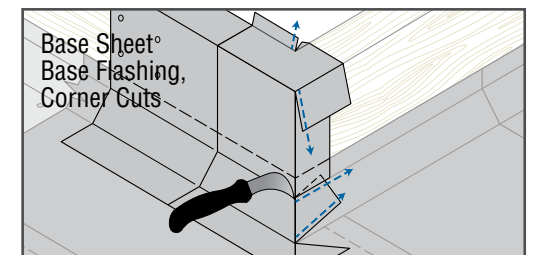
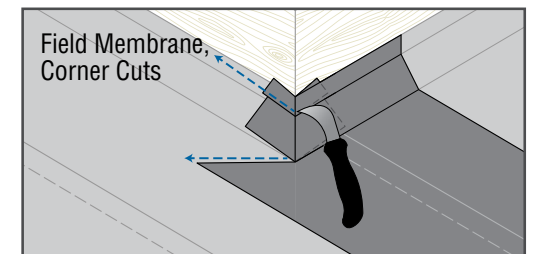
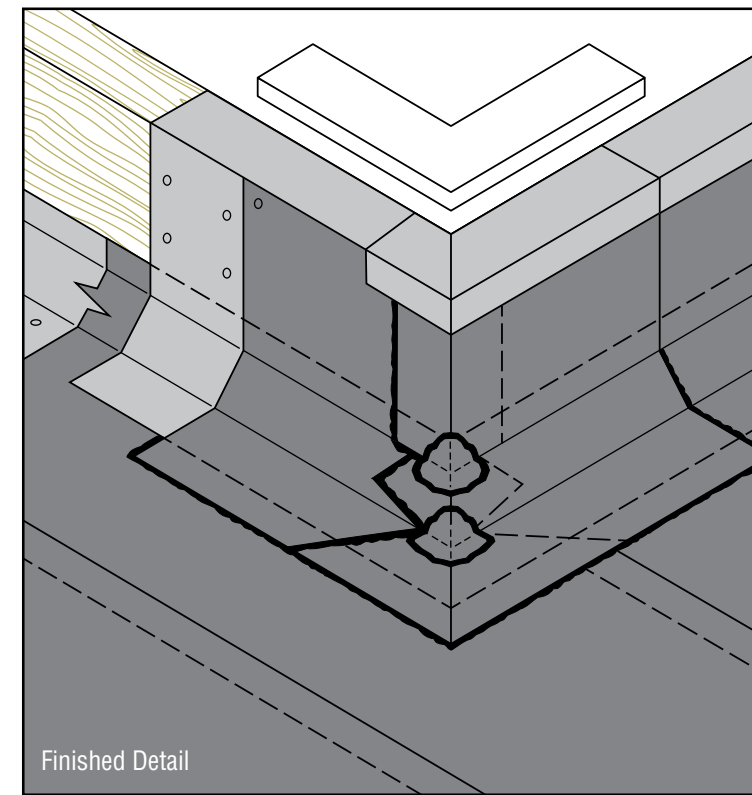
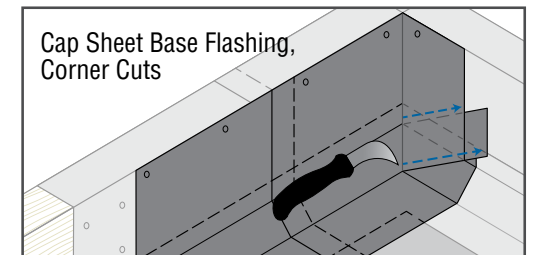
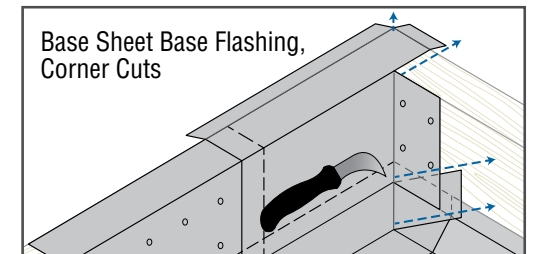
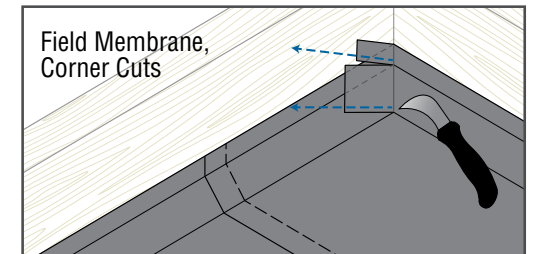
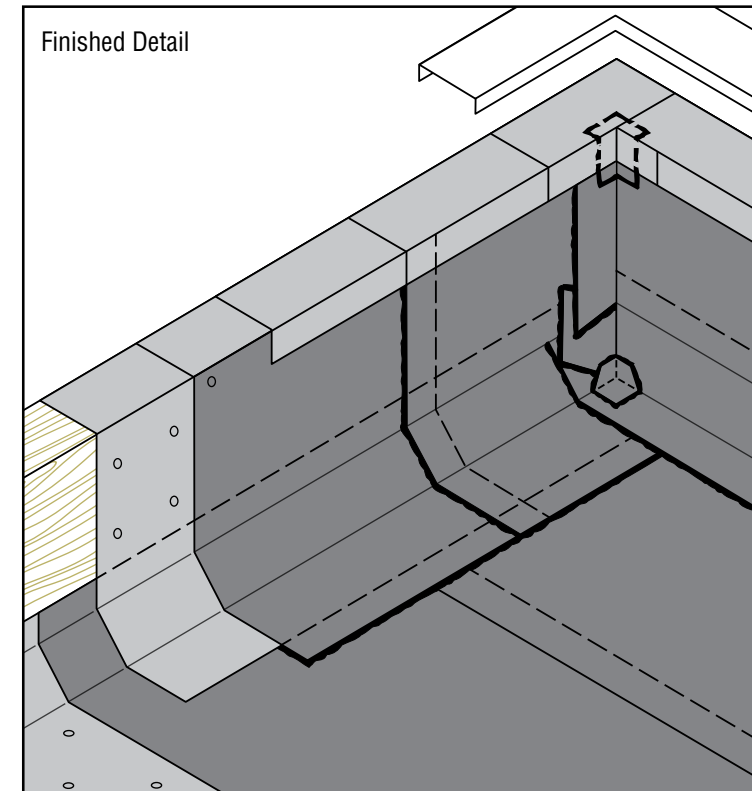
CT-01 Edge Flashing



CT-06 Base Flashing and Wall Covering on Parapet Wall

Typical Construction Details – Flintlastic® SA 2 Ply Systems

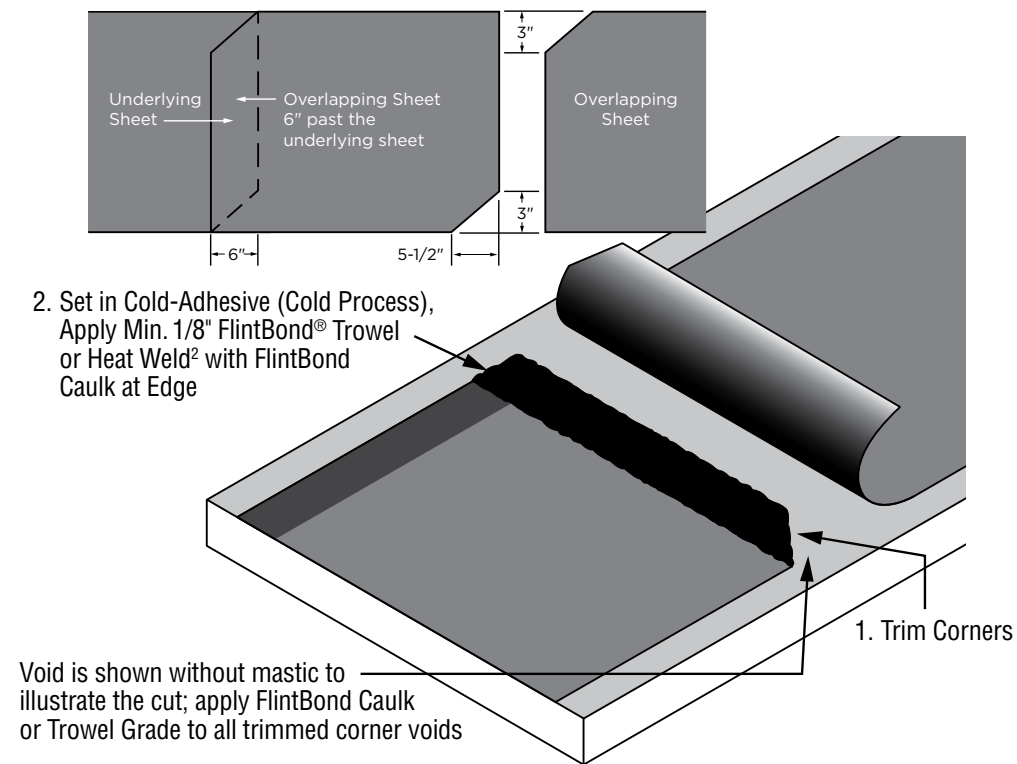
CT-09 Base Flashing on Parapet Wall, Inside Corner



CT-10 Base Flashing on Parapet Wall, Outside Corner

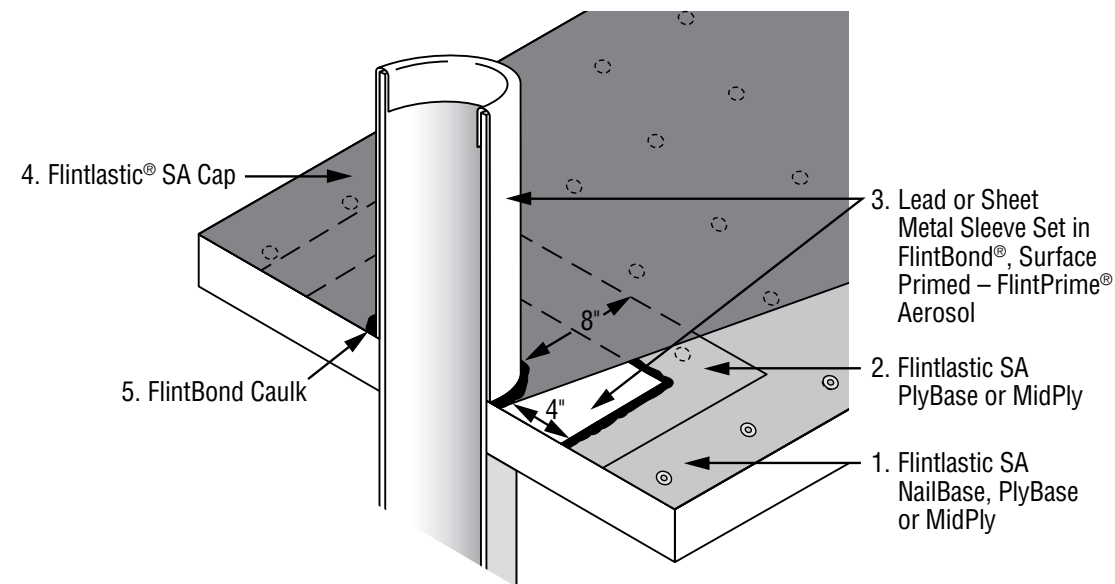
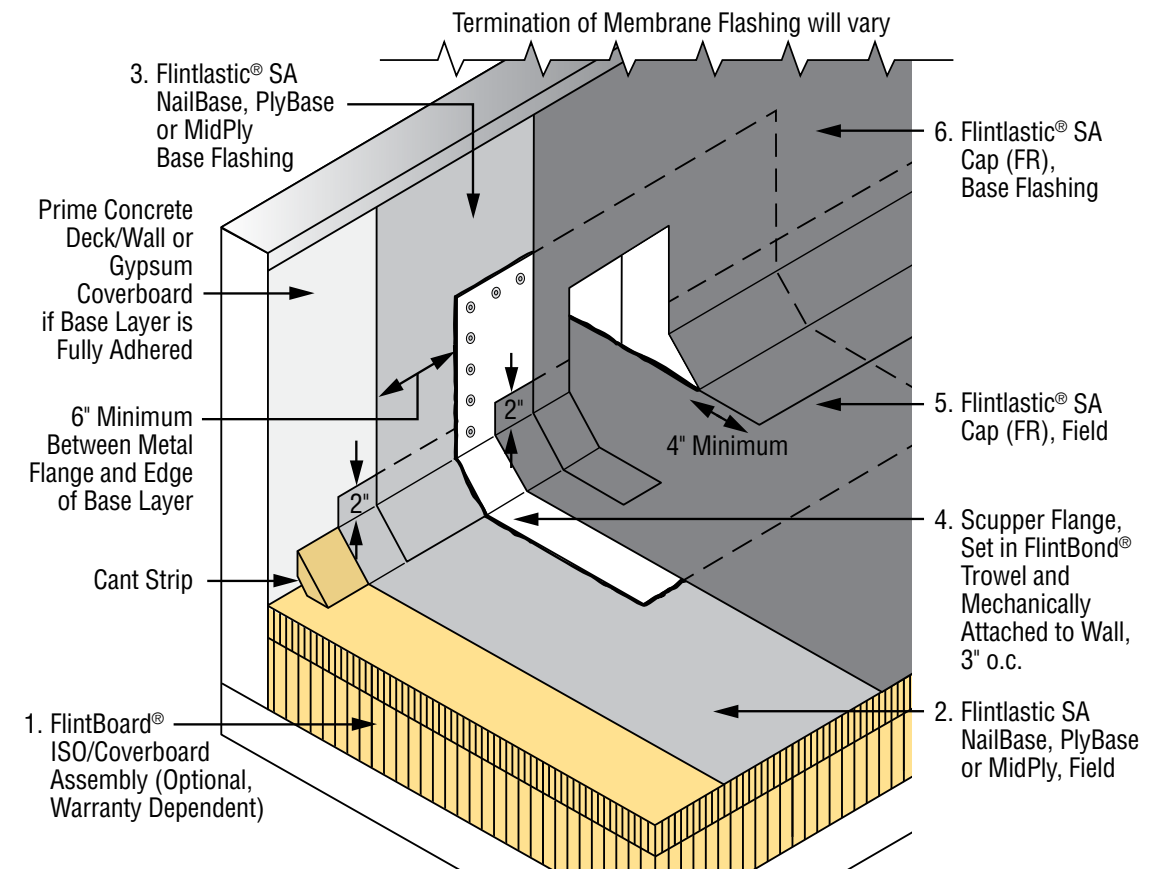
Typical Construction Details – Flintlastic® SA 2 Ply Systems

CT-22 End Lap Detail

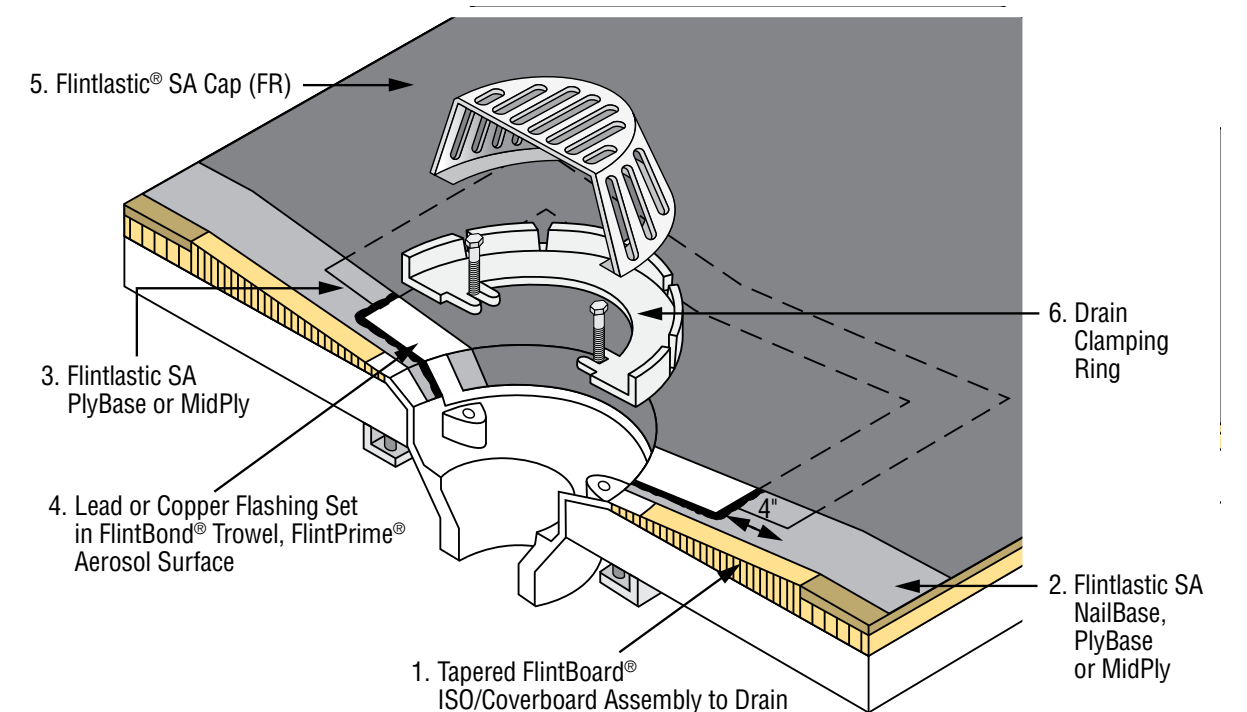


Typical Construction Details – Flintlastic® SA 2 Ply Systems

CT-11 Through-Wall Scupper Flashing



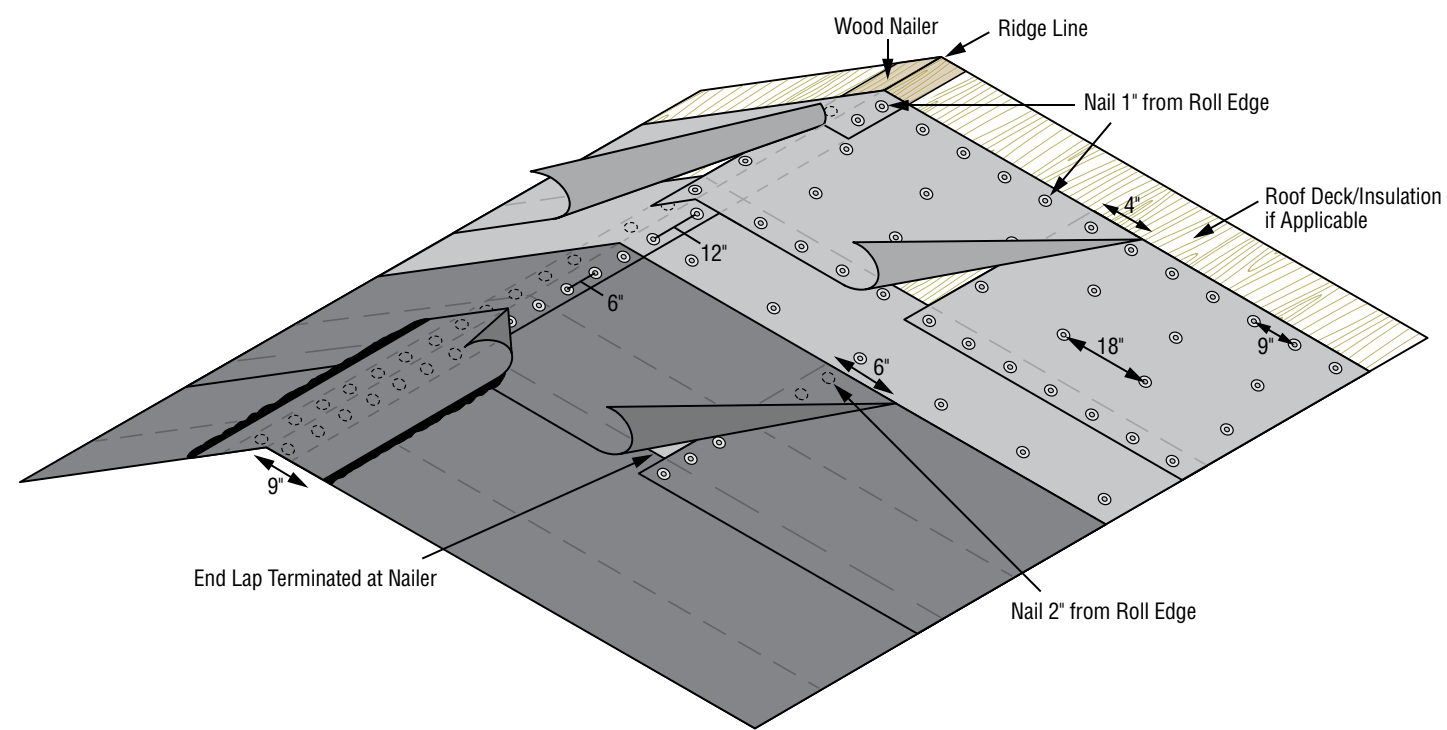
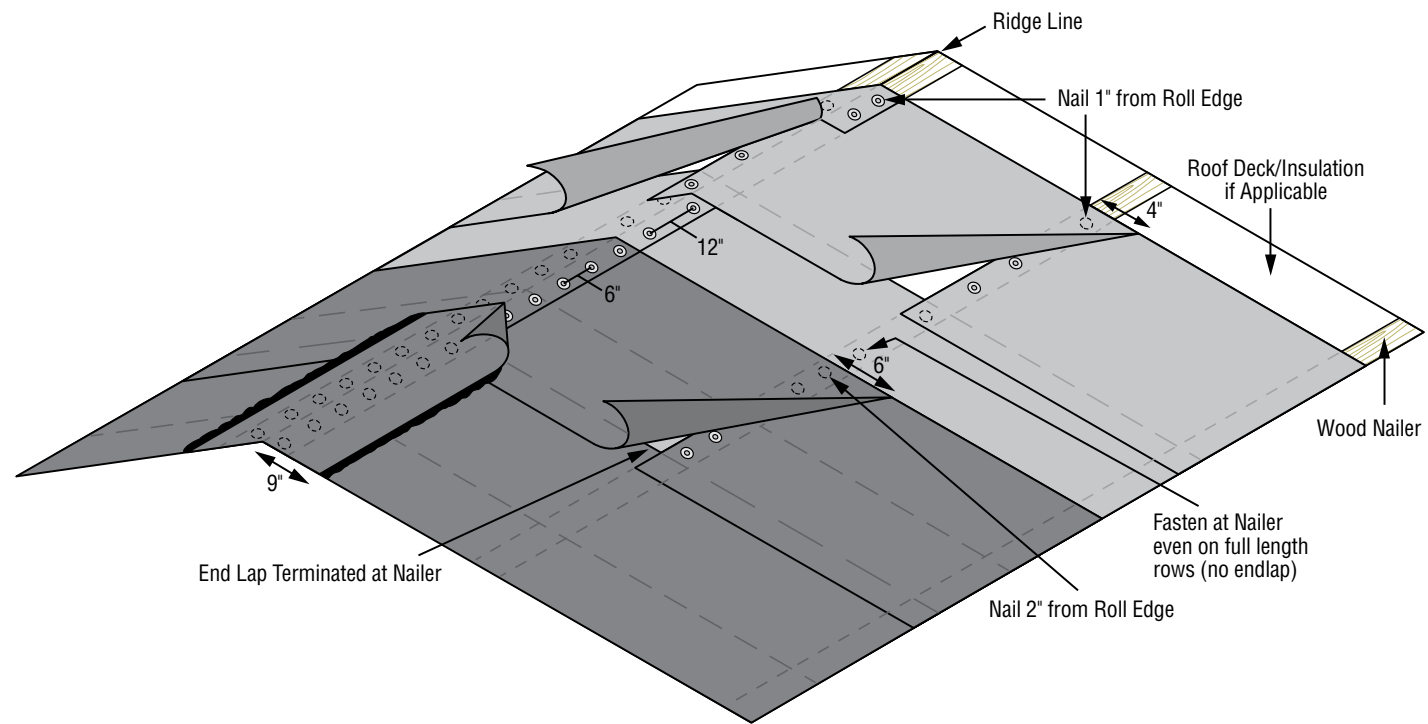
CT-13 Pipe Flashing – Lead or Sheet Metal



CT-12 Drain Flashing

Typical Construction Details - Flintlastic® SA 2 Ply Systems

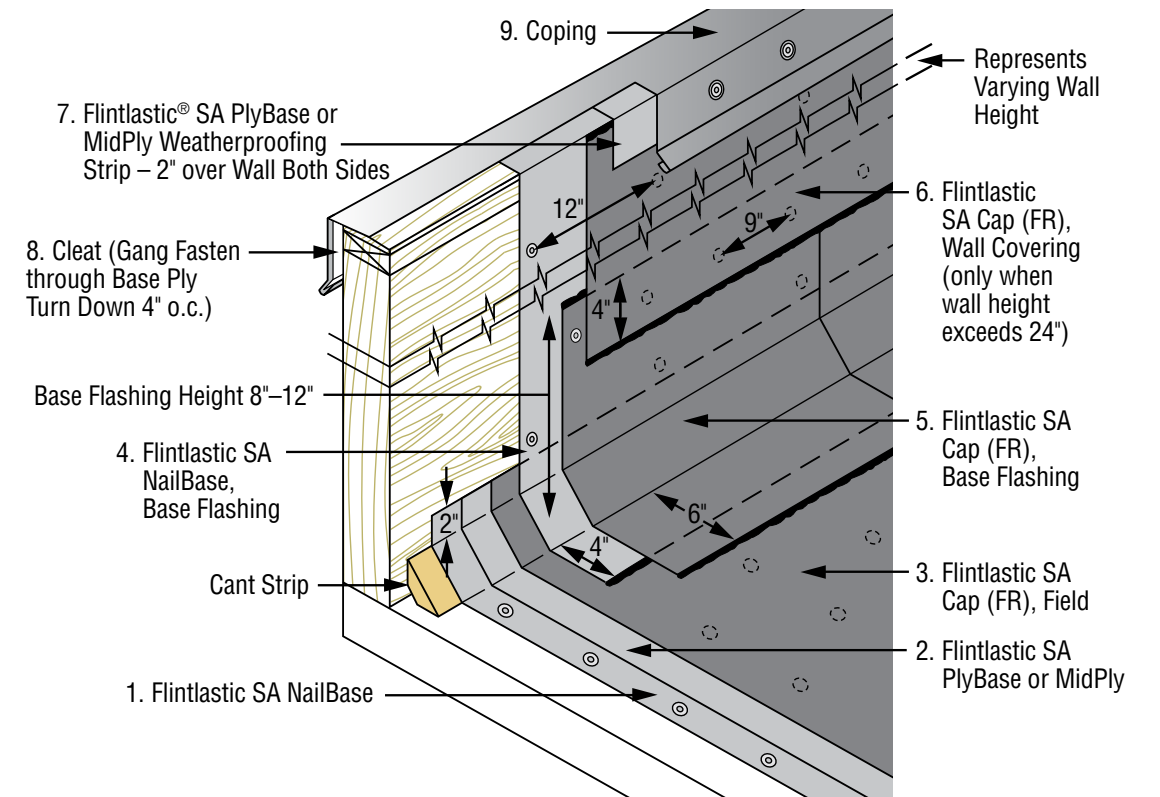
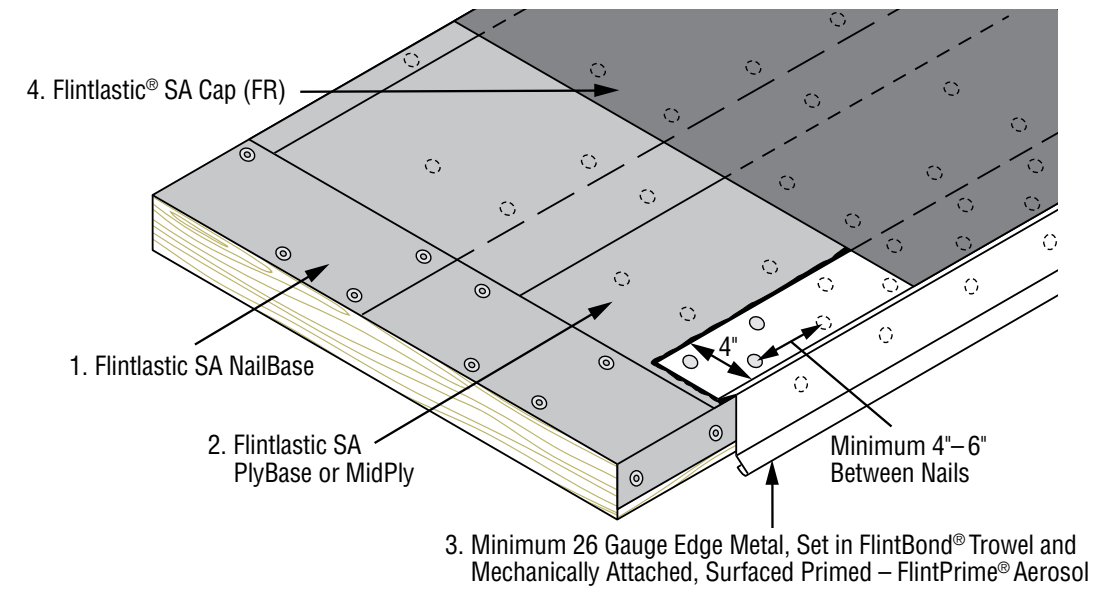
CT-29 Back Nailing - Insulated or Non-Nailable Substrates



CT-29A Back Nailing - Nailable Substrates

Typical Construction Details - Flintlastic® SA 3 Ply Systems

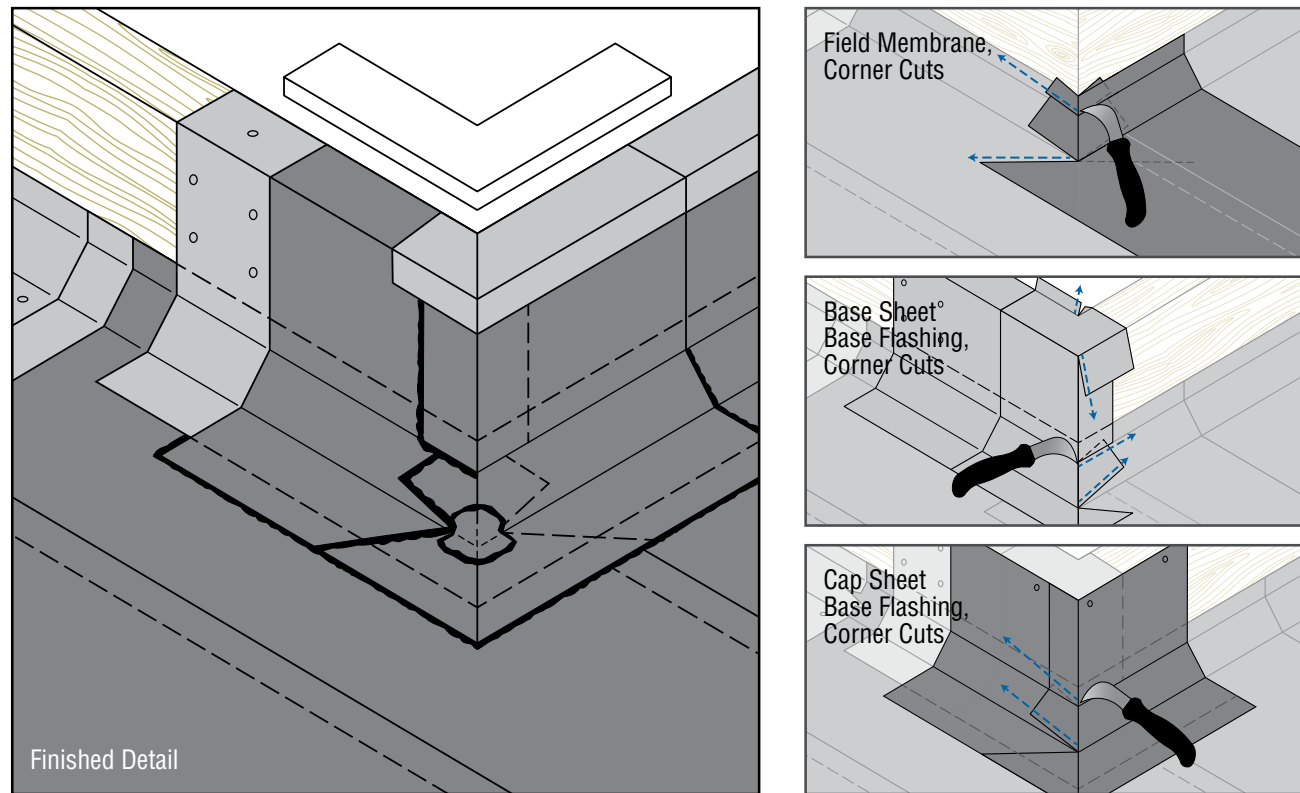
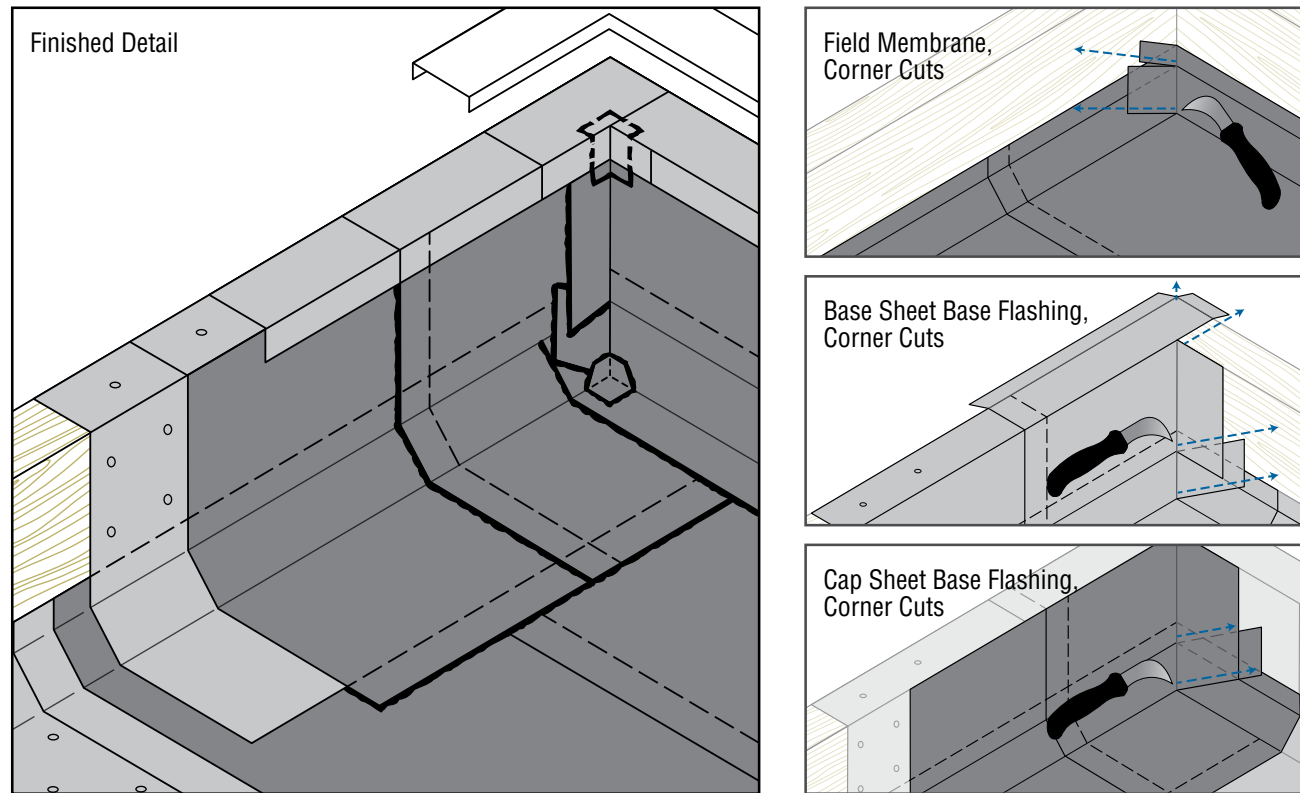
CT-01 Edge Flashing



CT-06 Base Flashing and Wall Covering on Wood Parapet Wall

Typical Construction Details – Flintlastic® SA 3 Ply Systems

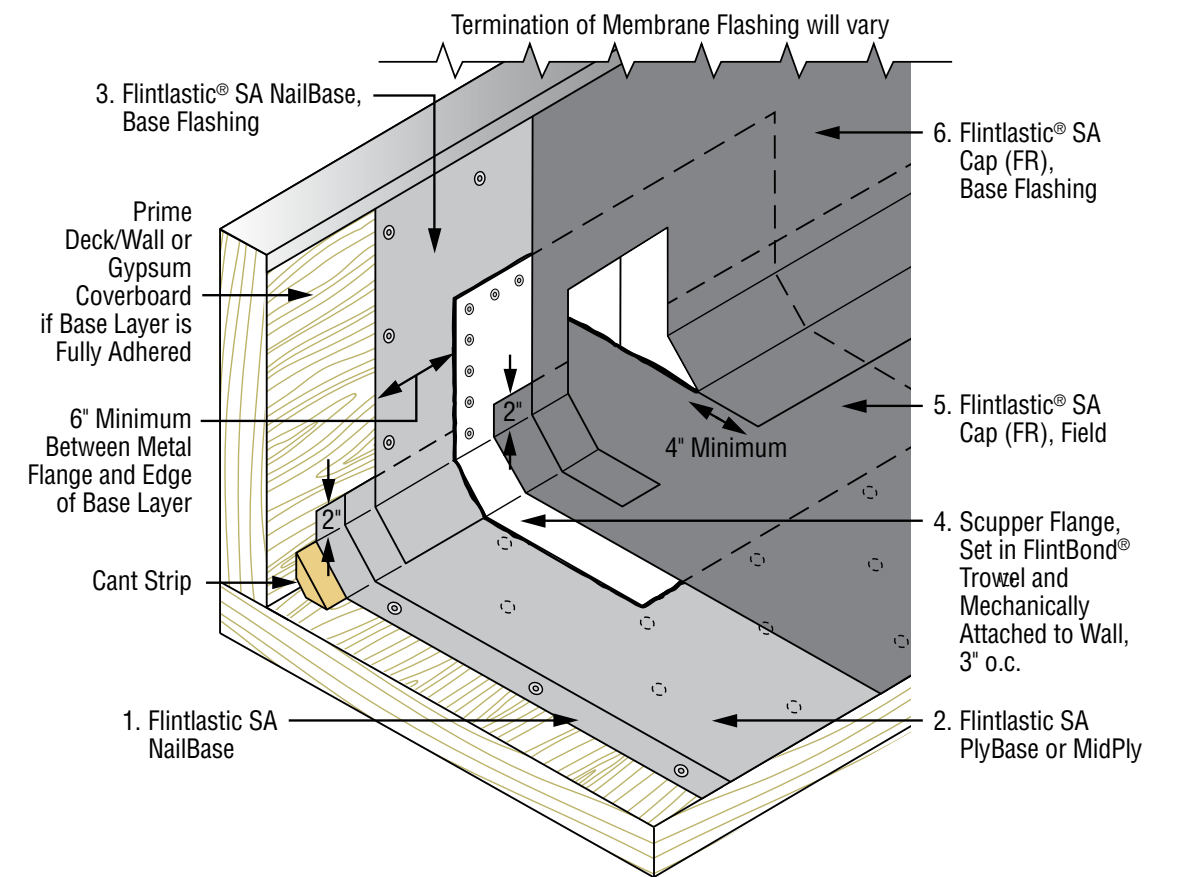
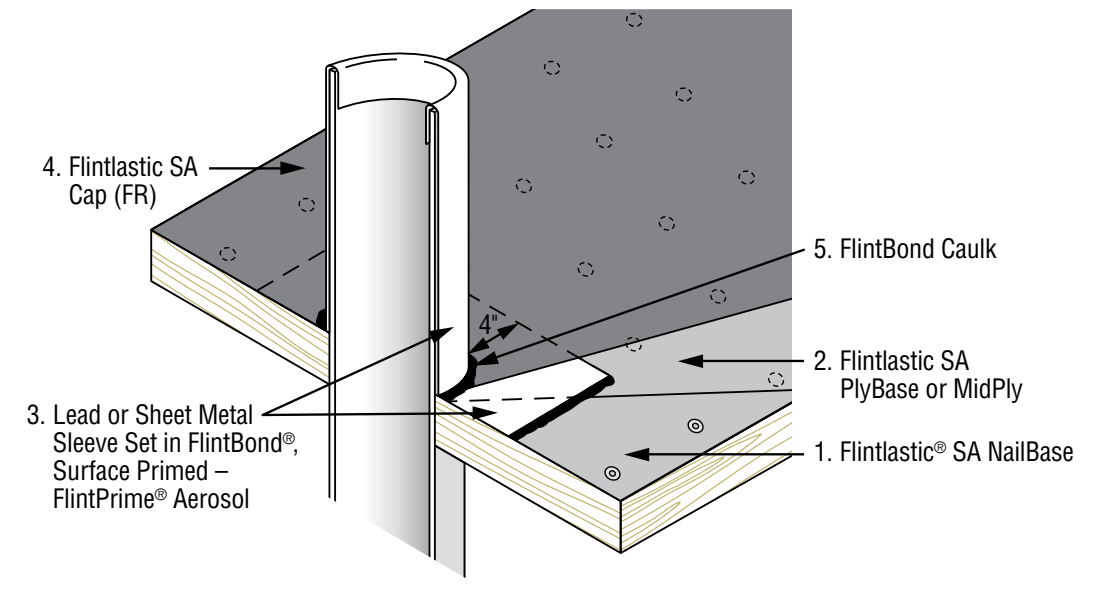
CT-09 Base Flashing on Parapet Wall, Inside Corner



CT-10 Base Flashing on Parapet Wall, Outside Corner

Typical Construction Details – Flintlastic® SA 3 Ply Systems

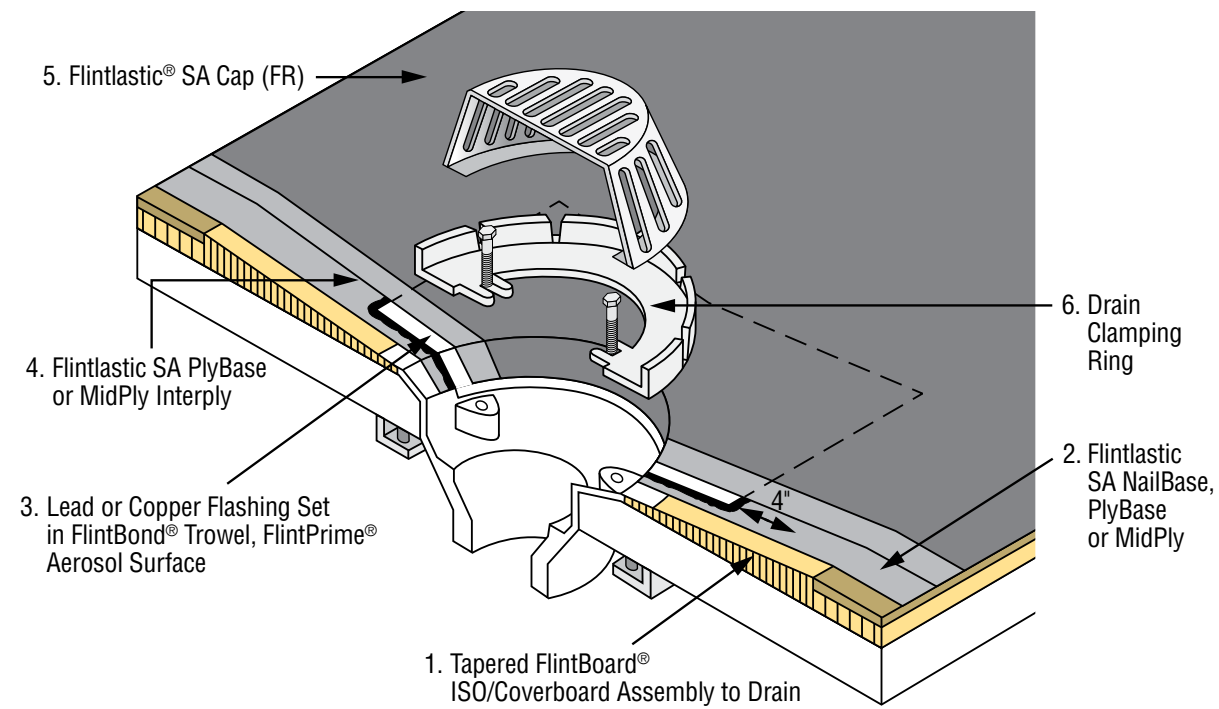
CT-13 Pipe Flashing – Lead or Sheet Metal



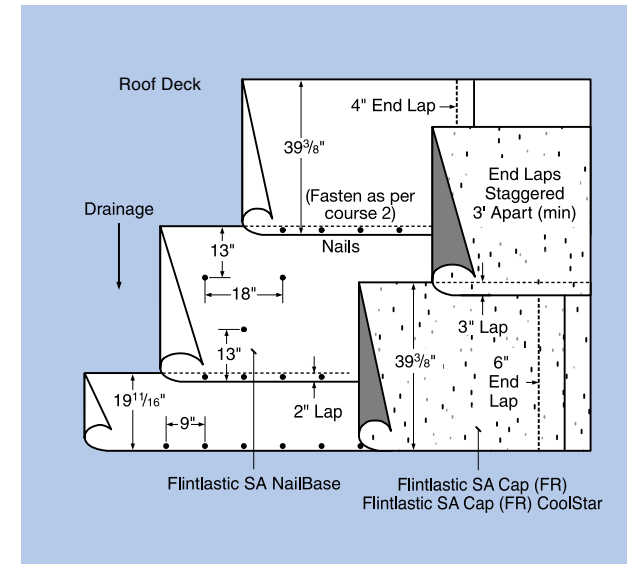
CT-11 Through-Wall Scupper Flashing

Typical Construction Details – Flintlastic® SA 3 Ply Systems

CT-12 Drain Flashing



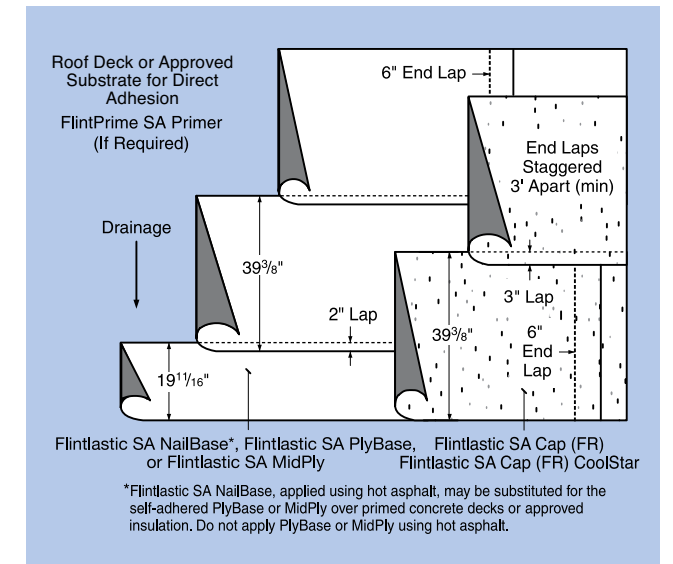
2 Ply System Specifications



Specification: SA-N-2-S

Flintlastic® SA NailBase, nailed.
Flintlastic SA Cap (FR), self-adhered.

For use when base sheet is mechanically attached.

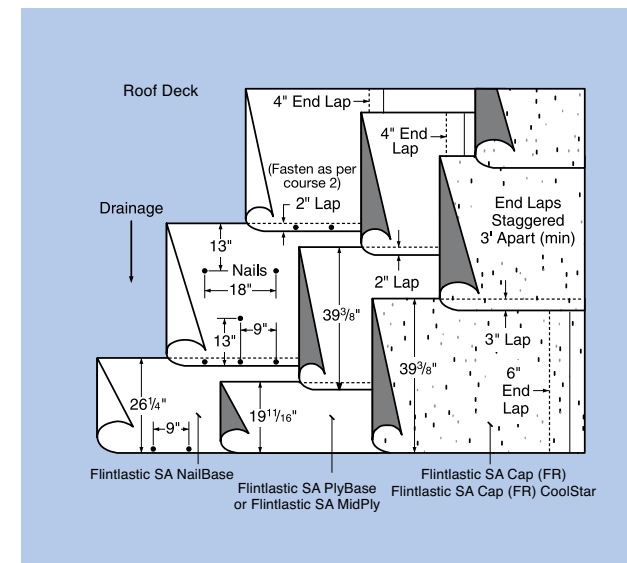


Specification: SA-C-2-S

Flintlastic SA PlyBase or MidPly, self-adhered as base ply. Flintlastic SA Cap (FR), self-adhered.

For use when base ply is self-adhered.

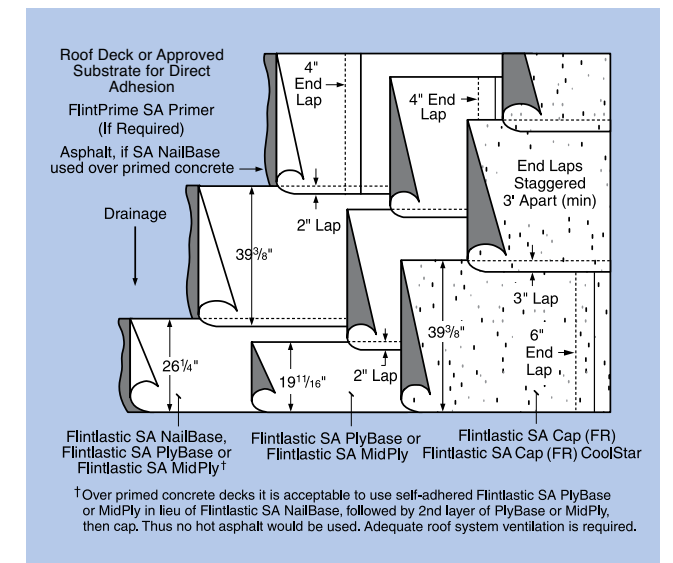
3 Ply System Specifications



Specification: SA-N-3-S

Flintlastic® SA NailBase, nailed.
Flintlastic SA PlyBase or MidPly, self-adhered.
Flintlastic SA Cap (FR), self-adhered.

For use when base sheet is mechanically attached.



Specification: SA-C-3-S

Flintlastic SA PlyBase or MidPly, self-adhered as base ply.
Flintlastic SA PlyBase or MidPly, self-adhered.
Flintlastic SA Cap (FR), self-adhered.

For use when base ply is self-adhered.

See Construction Details in this manual or full Details in the Commercial Roof System Specification manual.