

Landmark® Series

11

YOUR OBJECTIVE:

To learn the correct procedure for installing Landmark® shingles.

LANDMARK SERIES

Landmark shingles have the installer-friendly NailTrak® feature, which provides 1½" wide nailing area and specially formulated QuadraBond laminating adhesive (See Figure 11-3).

★ Landmark ClimateFlex™ is impact resistant and is specially manufactured with SBS modified asphalt to meet UL 2218 Class 4 impact resistance rating.

NOTE: Landmark ClimateFlex must be installed over a clean deck (no roofovers) to obtain the UL 2218 rating. It is strongly recommended Shadow Ridge ClimateFlex™ or Shadow Ridge ClimateFlex™ 4PC impact resistant cap shingles be installed on all hips and ridges. Some insurance carriers may not consider the roof system as compliant to UL 2218 Class 4 without impact resistant cap shingles.

Landmark Solaris shingles are ENERGY STAR® qualified roof products that meet both solar reflectance and thermal emissivity requirements. Using CertainTeed's advanced roofing granules, Landmark Solaris reflects solar energy and radiates heat far better than traditional roofing shingles – it can reduce the roof's temperature by as much as 20 percent in the summer.

Closed-cut valleys are preferred by CertainTeed when applying any Landmark Series shingles; however, open and woven valleys are also acceptable.

STANDARD OR STEEP SLOPES: CertainTeed recommends DiamondDeck® or RoofRunner™ Synthetic Underlayment or shingle underlayment meeting ASTM D226, D4869 or D6757. Take care to ensure sufficient deck ventilation when DiamondDeck, RoofRunner or other synthetic underlayment is installed. Follow manufacturer's application instructions.

LOW SLOPES: All roof shingles applied to a low slope deck (2" to below 4" per foot) require the use of CertainTeed WinterGuard® Waterproofing Shingle Underlayment, or its equivalent,* applied over the entire deck surface. Consult the WinterGuard and individual shingle application instructions for details.

* For low slopes, underlayment equivalents to WinterGuard include:

- 1) waterproofing shingle underlayments meeting ASTM D1970;
- 2) in areas not prone to snow or ice, two layers of 36" (915 mm) wide felt shingle underlayment lapped 19" (485 mm).
- 3) in areas not prone to snow or ice, two layers of CertainTeed's DiamondDeck or RoofRunner in shingle fashion (half lap) per the low-slope application instructions.

Shingle underlayment should meet ASTM D6757, ASTM D4869 Type I or ASTM D226 Type I Ensure sufficient deck ventilation

when DiamondDeck, RoofRunner or other synthetic underlayment is installed. (One layer of shingle underlayment meeting ASTM D4869 applied over the required WinterGuard is also recommended.)

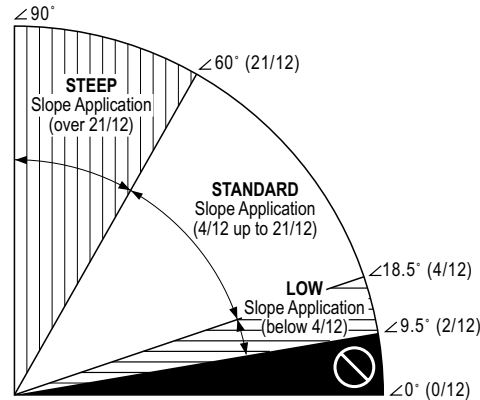


Figure 11-1: Slope definitions.

THE ROOF DECK* MUST BE AT LEAST: ¾" (9.5 mm) thick plywood, or 7/16" (11 mm) thick non-veneer, or nominal 1" (25 mm) thick wood deck.

COLD WEATHER CLIMATES (ALL SLOPES): Application of WinterGuard or a waterproofing shingle underlayment meeting ASTM D1970 is strongly recommended whenever there is a possibility of ice build-up. Follow manufacturer's application instructions.

FLASHING: Corrosion-resistant flashing must be used to help prevent leaks where a roof meets a wall, another roof, a chimney or other objects that penetrate a roof.

SEALING: Shingle sealing may be delayed if shingles are applied in cool weather and may be further delayed by airborne dust accumulation. If any shingles have not sealed after a reasonable time period, hand sealing may be necessary.

CAUTION: To prevent cracking, shingles must be sufficiently warm to allow proper forming for hips, ridges and valleys.

WARRANTY: These shingles are warranted against manufacturing defects and are covered by SureStart™ protection. See the warranty itself for specific details and limitations.

*

For technical questions, information on acceptable alternative application methods and materials, or a copy of the product warranty, contact the sources listed below:	Warranty	Alternate Instructions	Technical Questions
Your supplier or roofing applicator	✓		
CertainTeed Home Institute 800-782-8777	✓	✓	
CertainTeed-RPG Technical Services 800-345-1145	✓	✓	✓

FASTENING

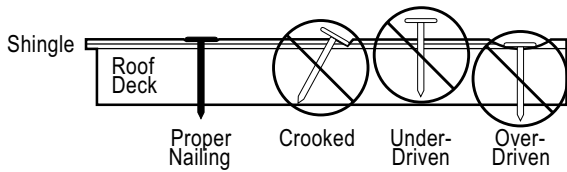


Figure 11-2: Proper and improper nailing.

IMPORTANT: For decks $\frac{3}{4}$ " (19 mm) thick or thicker, nails must go at least $\frac{3}{4}$ " (19 mm) into the deck. On thinner decks, nails must go at least $\frac{1}{8}$ " (3.2 mm) through the deck.

Nails must be 11- or 12-gauge roofing nails, corrosion-resistant, with at least $\frac{3}{8}$ " (9.5 mm) heads, and at least 1" (25 mm) long.

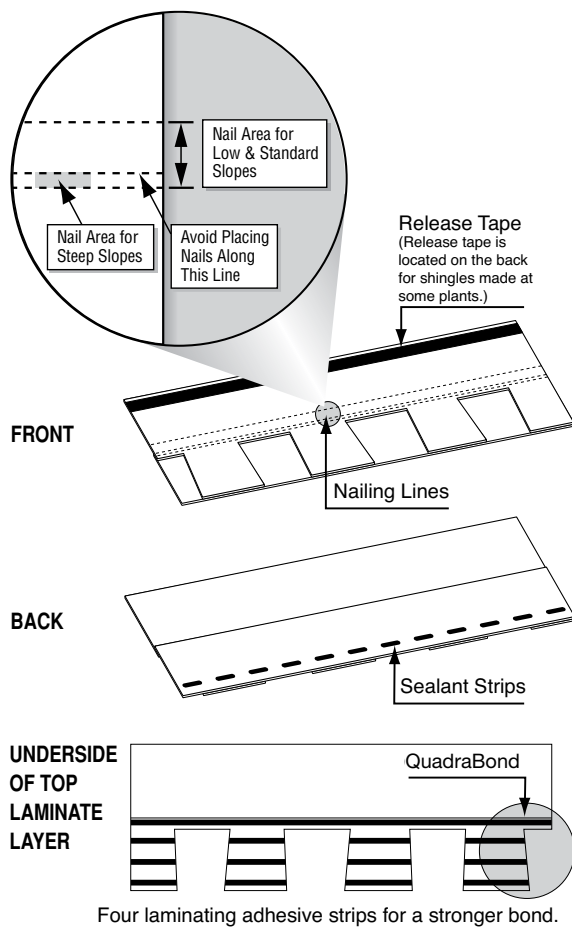


Figure 11-3: NailTrak® features a wider nail area and extra-strong QuadraBond construction.

LOW AND STANDARD SLOPE

Use four nails for every full shingle as shown below.

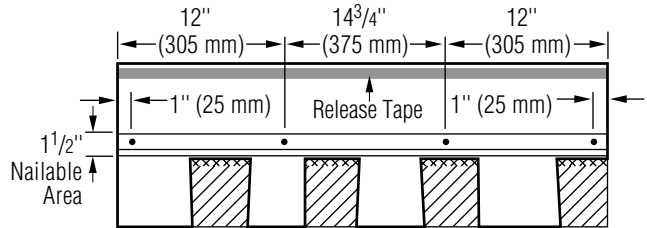


Figure 11-4: Use four nails for every full shingle.

IMPORTANT: When "six nailing" a full shingle, follow the nail pattern shown in figure 11-5, nails can be placed in the $1\frac{1}{2}$ " nailable area.

★ STEEP SLOPE

Use six nails and four spots of asphalt roofing cement for every full shingle for every full shingle as shown below. Asphalt roofing cement should meet ASTM D 4586 Type II. Apply 1" spots of asphalt roofing cement under each corner and at about 12" to 13" in from each edge.

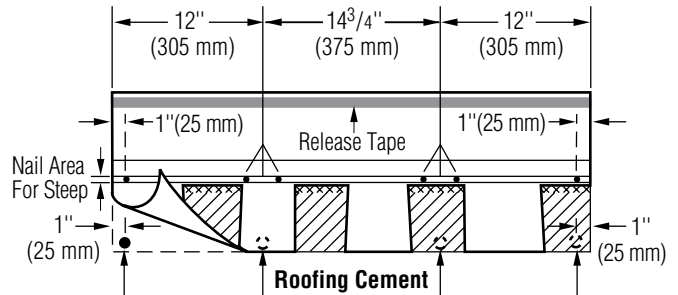


Figure 11-5: Use six nails and four spots of asphalt roofing cement on steep slopes.

IMPORTANT: Failure to follow these steep slope instructions can void the warranty in the event of a shingle delamination.

CAUTION: Excessive use of roofing cement can cause shingles to blister.

TWO CLEAN-DECK APPLICATION METHODS

FIVE-COURSE DIAGONAL METHOD (6" AND 11") FIVE-COURSE DIAGONAL METHOD (5 $\frac{5}{8}$ " AND 11 $\frac{1}{4}$ ")

NOTE: The 6" and 11" method is shown below. The $5\frac{5}{8}$ " and 11 $\frac{1}{4}$ " method follows the same application instructions as the 6" and 11" method except the dimensions of the shingle cut-offs in the second and third courses are $5\frac{5}{8}$ " and 11 $\frac{1}{4}$ " respectively.

CAUTION: Use of other installation methods may result in an objectionable pattern.

PREPARING THE DECK:

- ◆ Apply underlayment as required. CertainTeed suggests that a layer of shingle underlayment be applied. For UL fire rating, underlayment is generally required. Apply flat and unwrinkled.
- ◆ Snap chalklines to assure shingles will be correctly aligned. Expose all shingles $5\frac{5}{8}$ " (143 mm).

STARTER COURSE:

1. Use CertainTeed Swiftstart® Starter, or three-tab self-sealing shingles with the lower tab portions removed. Be sure that the starter shingles are at least $7\frac{5}{8}$ " in height. (Figure 11-6).

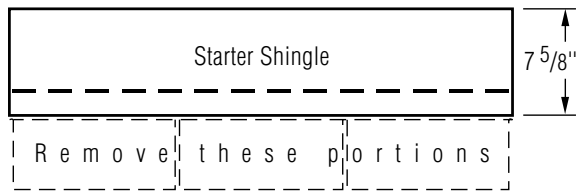


Figure 11-6: Make starter shingles that are $7\frac{5}{8}$ " in height.

2. For the first starter, cut 6" from one side of the starter shingle.
3. Apply the remaining piece to the lower left corner of the roof. Make sure there is $\frac{1}{2}$ " overhanging the rakes and eaves if drip edge is being used. If you are not using drip edge, make the overhang $\frac{3}{4}$ ".
4. Use full length starter shingles for the rest of the course.

1ST COURSE: Apply a full shingle at the lower left corner of the roof. Make the lower edge and left edge lie flush with the edges of the starter course (Figure 11-7).

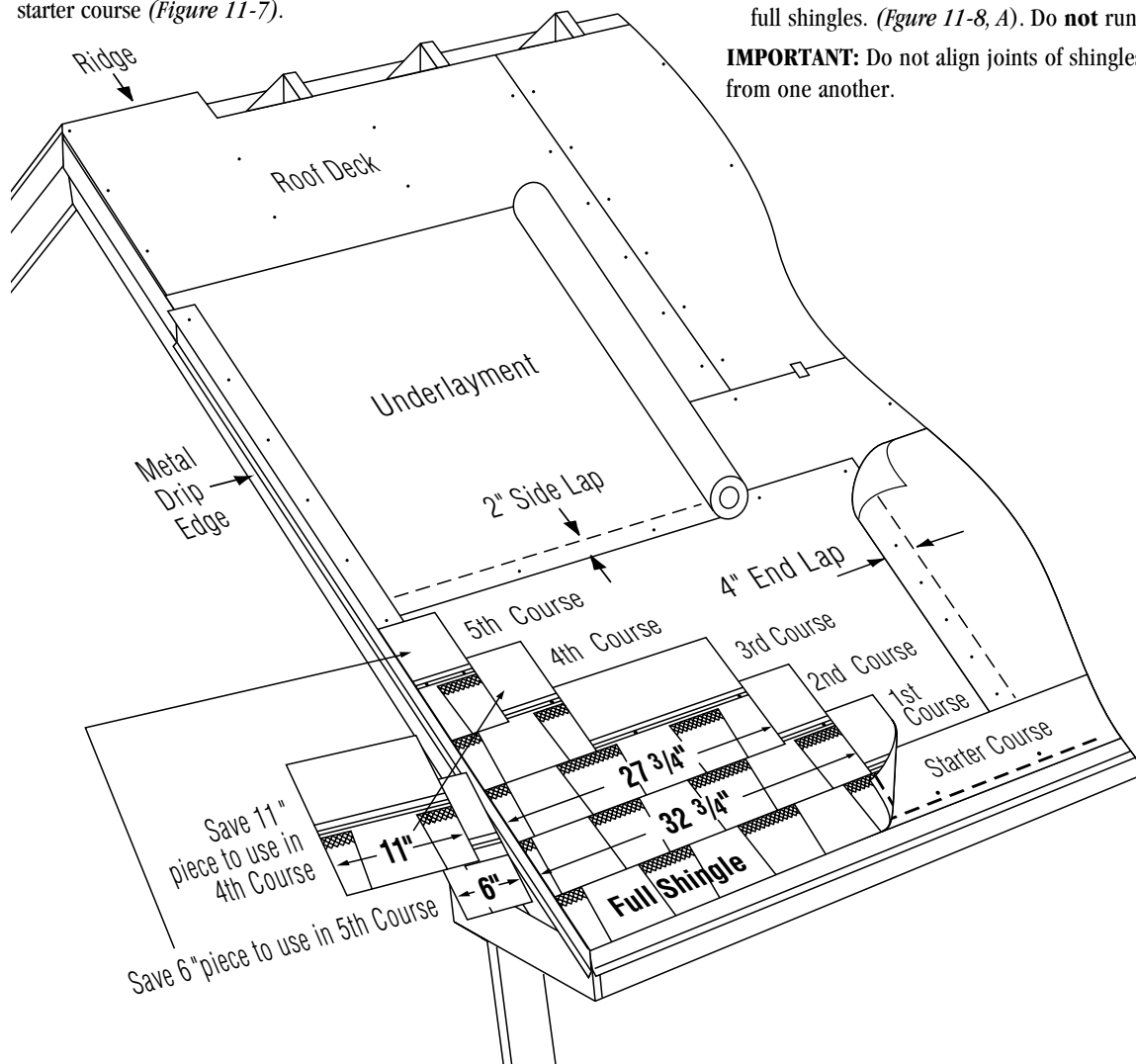


Figure 11-7: Applying the first 5 courses of Landmark.

2ND THROUGH 5TH COURSES:

CAUTION! Failure to follow instruction steps 1-5 below will bring joints too close together and may cause unattractive patterns!

1. Cut 6" off the left end of the first shingle and save this piece for later use. Apply the $32\frac{3}{4}$ " long piece over and above the first-course shingle. Leave the bottom $5\frac{5}{8}$ " tab portion of the first-course shingle exposed.
2. Cut 11" off the first shingle of the third course and save this for later. Install the $27\frac{3}{4}$ " long piece over and above the second-course shingle.
3. Apply the previously removed 11" long piece over and above the third-course shingle.
4. Apply the previously removed 6" long piece from the second course over and above the fourth-course shingle.
5. Install a full shingle against the right edge of each shingle in courses one through five.

CONTINUING UP THE ROOF:

1. Beginning again with a full shingle, repeat the five-course pattern up the left rake. (Figure 11-8, B).
2. Fill-in courses across the roof in a stepped diagonal fashion using full shingles. (Figure 11-8, A). Do **not** run courses straight across.

IMPORTANT: Do not align joints of shingles closer than $3\frac{1}{2}$ " from one another.

Figure 11-8: "Five-Course Diagonal Method" installation schematic.

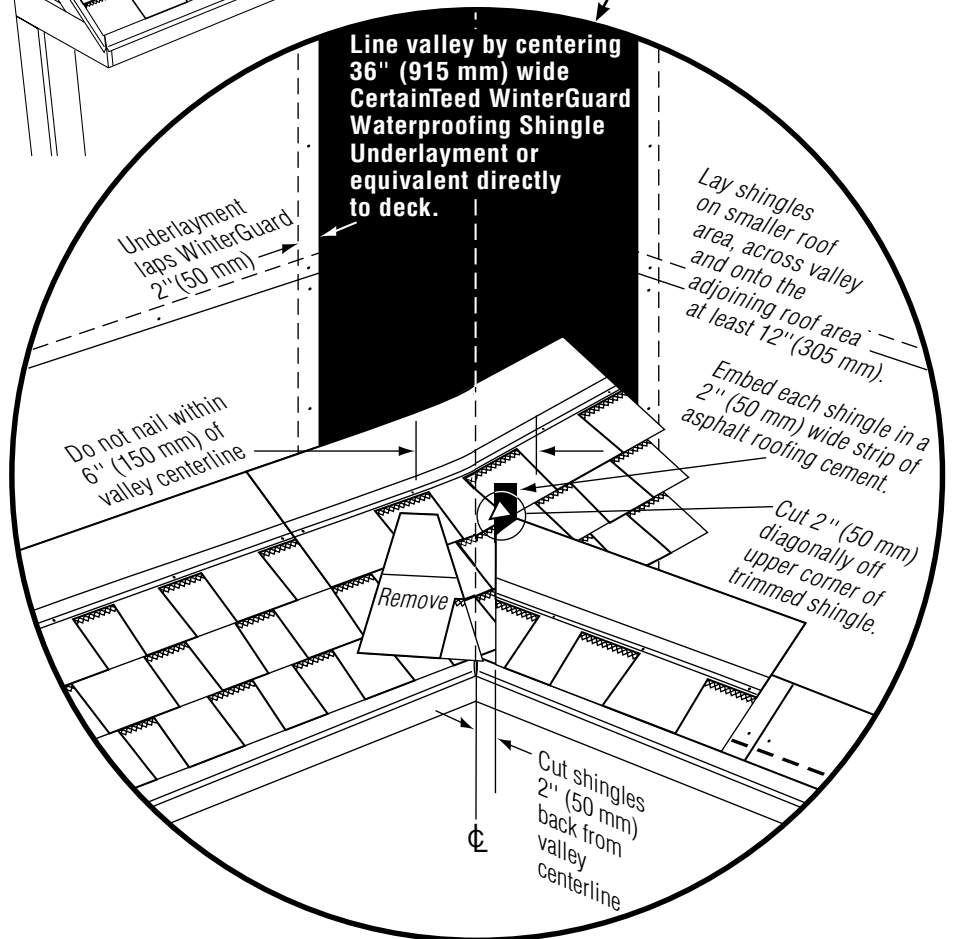
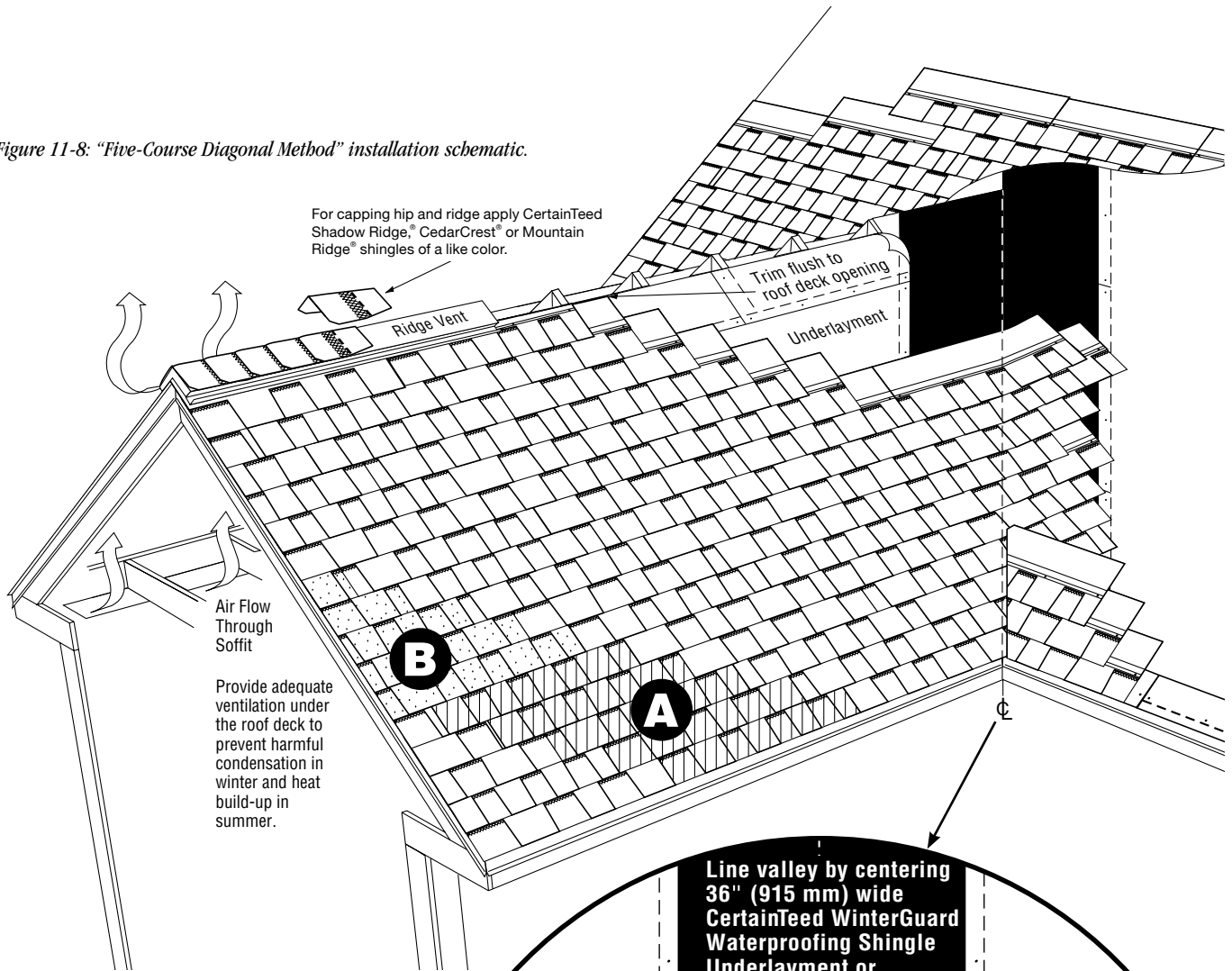


Figure 11-9: Highlight of closed-cut valley details.

CHIMNEY FLASHING

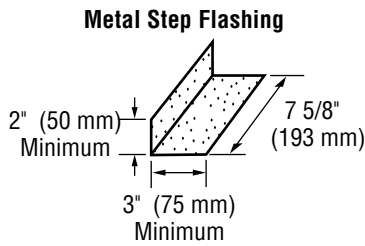


Figure 11-10: Step flashing minimum dimensions.

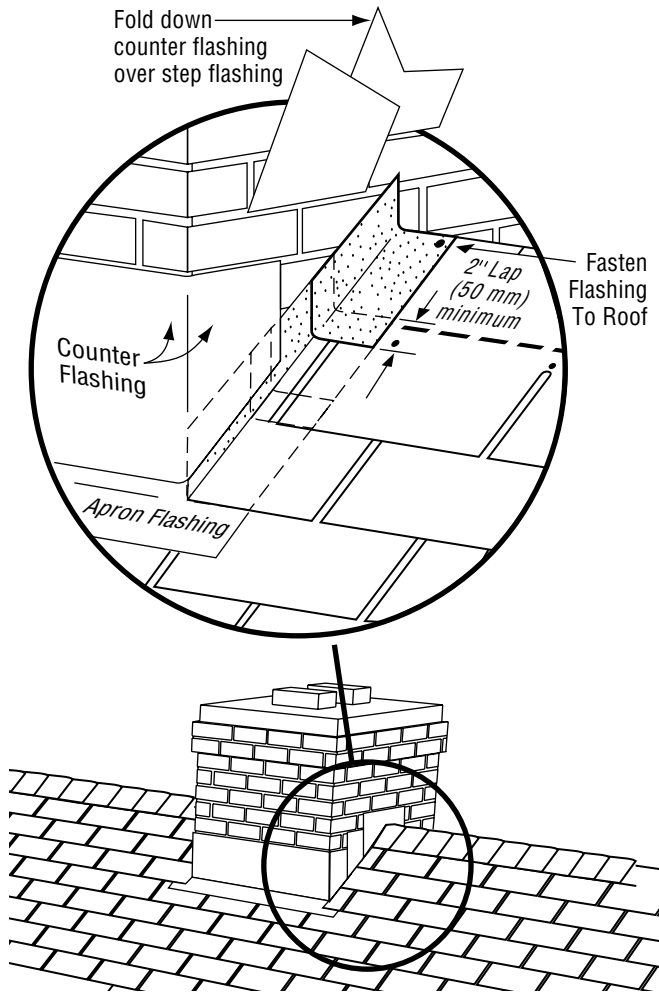


Figure 11-11: Flashing around a chimney.

TWO ROOF-OVER METHODS

The same methods used for clean-deck application of these shingles are used for roof-overs. Application of these shingles **over** English dimension shingles is not recommended — due to the high cost of workmanship and greater risk of worker error.

HIPS AND RIDGES

SHADOW RIDGE® ACCESSORY SHINGLES

Shadow Ridge shingles have an accented shadow line that is designed to complement these shingles. Simply fold along the pre-cut lines and detach individual cap pieces. Save valuable installation time compared to cutting 3-tab shingles.

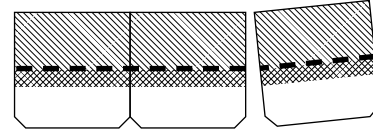


Figure 11-12: Shadow Ridge accessory shingles detach easily from three-piece units to make 72 individual cap pieces.

There are 24 three-piece units in each Shadow Ridge bundle, providing 72 individual caps that will cover 30 linear feet of a hip or ridge. Each English dimension cap piece is 12" by 12".

The Metric version detaches in to four-piece units to make 96 individual pieces and covers 45 linear feet. Each Metric dimension cap piece is 13 1/4" by 9 7/8". Both English and Metric versions feature clipped corners on the bottom edge of the exposed portion.

APPLICATION IS AS FOLLOWS:

1. Apply shingles up to the hip or ridge on both sides, then trim flush.

NOTE: The last course of shingles should have an exposure of 5" (5 5/8" for metric) or less when the shingle cap or ridge vent is fastened in place. Otherwise, a potential water leak could occur at exposed shingle end joints. The figures used in this section illustrate the application of accessory shingles over a ridge vent; application directly to the roof deck is very similar.

IMPORTANT: Use two nails to fasten each shingle. Nails must be minimum 1 3/4" (45 mm) long.

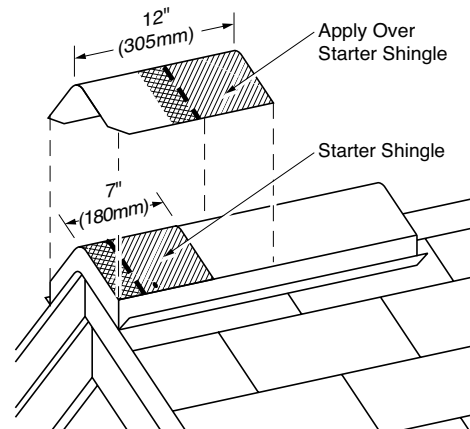


Figure 11-13: Apply a full cap shingle over the starter piece, flush with the bottom and side edges of the starter.

2. Install caps beginning at the bottom of a hip or at either end of a ridge. Apply a starter piece that has the bottom 5" (5 5/8" for metric) removed. Fasten the starter with two nails located about 3" from the rake edge, and 1" in from each side edge. Make sure fasteners used to apply caps penetrate at least 3/4" into or through the decking.

NOTE: To assist in proper alignment when ridge vent is not used, snap a chalk line parallel to the hip or ridge along the line where the side edges of the cap shingles should be.

3. Apply a full cap shingle over the starter (Figure 11-13), and place fasteners at $5\frac{5}{8}$ " ($6\frac{1}{4}$ " for metric) up from the exposed bottom edge and 1" in from each side. Nails must not be exposed on the finished roof. All nail heads must be driven straight and must not cut into the shingle surface.

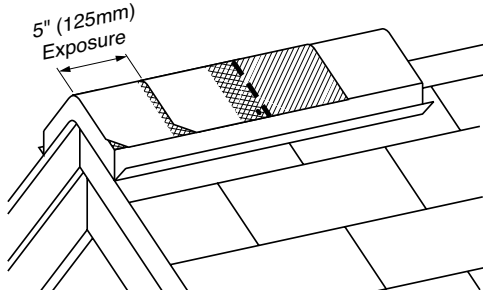
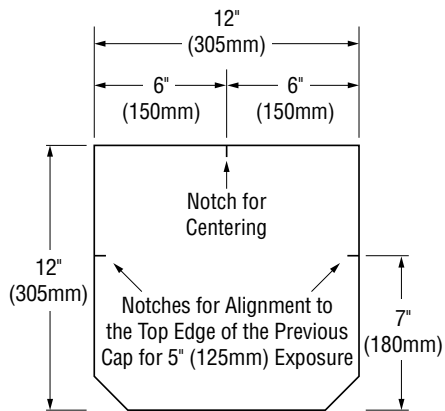
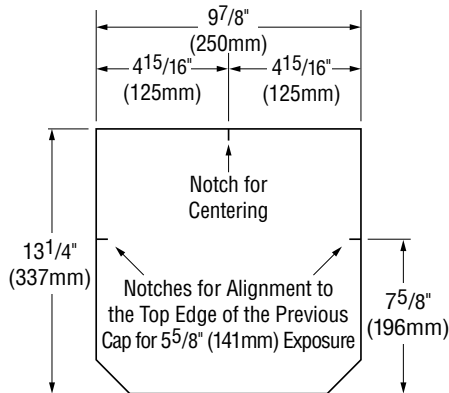


Figure 11-14: Install cap shingles at their correct exposure and cover all fasteners.

NOTE: Each cap has a laying/alignment notch at the top edge to center the piece on the ridge line, and two notches on each side to indicate the correct exposure and shadow-line placement (Figure 11-15). The side notches of the cap being applied should be aligned with the top edge of the previously applied cap.



English Dimension



Metric Dimension

Figure 11-15 : Each Shadow Ridge® shingle has a centering notch and two side-alignment notches to help ensure proper placement

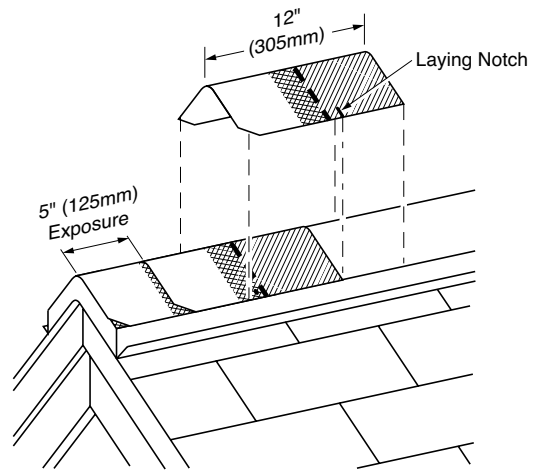


Figure 11-16: Use laying notches to center shingles on hips and ridges, and to locate the correct exposure.

MOUNTAIN RIDGE HIGH-PROFILE HIP AND RIDGE ACCESSORY

Use Mountain Ridge® accessory shingles to cover hips, ridges or rake edges. One box of 10" wide shingles will cover 20 linear feet. To prevent damage to shingles during application, they must be sufficiently warm to allow proper forming.

FASTENING

IMPORTANT: Use two nails to fasten each shingle. Nails must be **minimum 1 $\frac{3}{4}$ " (45 mm) long**. For the 4" (100 mm) starter shingle, place fastener 1" (25 mm) in from each side edge and about 2" (50 mm) from the rake (or eave) edge, making sure the fastener goes $\frac{3}{4}$ " into the deck or all the way through. For each full Mountain Ridge shingle, place fasteners $8\frac{3}{8}$ " (219 mm) up from its exposed butt edge and 1" (25 mm) in from each side edge.

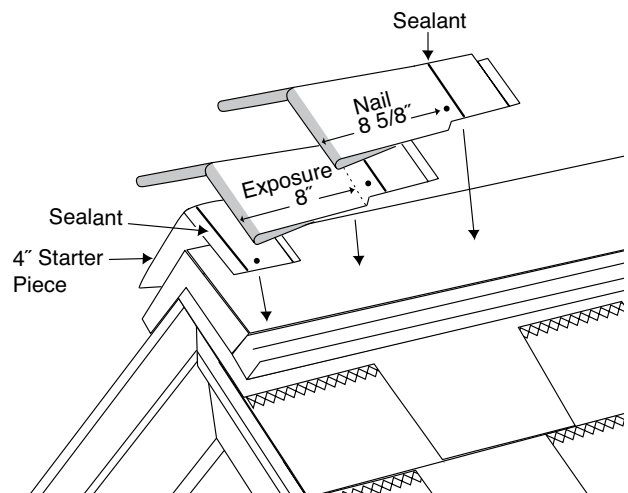


Figure 11-17: Hip and ridge application.

HIP, RIDGE AND RAKE SHINGLE APPLICATION

Apply the primary field roofing up to the hip or ridge from both sides of the roof and trim flush or lap over one side, not more than half the width of a Mountain Ridge® shingle.

Assure that the installed Mountain Ridge shingles properly cover hip and ridge field shingles on both sides and the field shingles applied along rake edges. For a rake edge installation, cut the field shingles flush to the rake edge. Apply Mountain Ridge shingles ensuring they fit securely against the rake board. **To assist in proper alignment, snap a chalk line parallel to the hip, ridge or rake along the line where the side edges of the Mountain Ridge shingles should fall.**

Prepare a 4" **Starter shingle** by cutting off the lower 8" color granule butt portion of one Mountain Ridge shingle. Apply the 4" starter piece (with sealant nearest the outer edge) over the bottom corner of the hip or rake, or on either end of the ridge, overhanging the corner or end by approximately 1/2" and bending the starter shingle along its centerline to form into place (see figures below.) Install a nail on each side about 2" up from the starter shingle's exposed butt edge and 1" in from each side edge of the shingle. The 8" piece that was cut off may be used to finish the opposite end of hip, ridge or rake.

Next, apply a full Mountain Ridge shingle over the installed starter shingle, bending it along its centerline and forming into place over the hip, ridge or rake, flush with the bottom and side edges of the starter shingle. Install a nail on each side of the shingle 8 5/8" up from the bottom edge and 1" in from each side edge.

Rake – Ensure field shingles at rake edge are flush with the outer edge of the rake board. Apply Mountain Ridge shingles fitting them snugly against the rake board. Use two color-coordinated aluminum trim or paneling nails, to pin the material to the fascia at 2" (50 mm) up from bottom edge and 2" (50 mm) and 3" (75 mm) in from front edge of shingle. (See Figure 11-18)

Continue application of the Mountain Ridge shingles along the hip, ridge or rake as shown. Expose Mountain Ridge shingles 8", covering all fasteners.

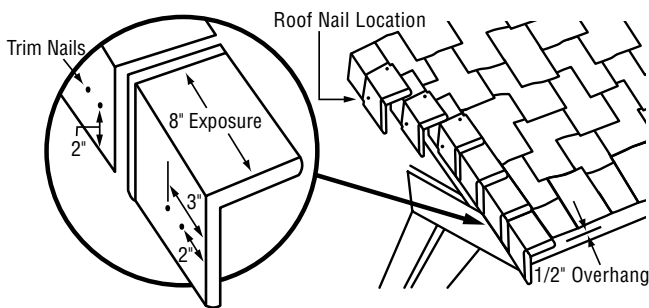


Figure 11-18: Rake edge application

CEDAR CREST MEDIUM-PROFILE HIP AND RIDGE ACCESSORY SHINGLES

Use Cedar Crest® accessory shingles to cover hips and ridges. Carefully separate the three-piece units prior to application, by first folding along the pre-cut lines and then detaching the pieces (see Figure 11-19). No cutting is necessary. There are 30 individual shingles (10 three-piece units) in each bundle. One bundle will cover 20 linear feet. Each 12" x 12" shingle has a shadowline that is a design feature which is visible when applied properly. To prevent shingle damage during application, they must be sufficiently warm to allow proper forming.

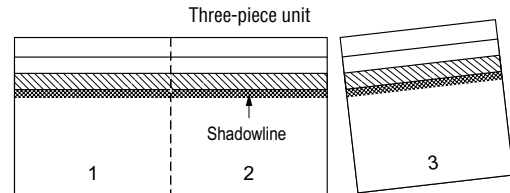


Figure 11-19: Separate to make 3 cap shingles.

FASTENING

IMPORTANT: Use TWO nails to fasten each shingle. Fasteners must be minimum 1 3/4" (45 mm) long.

For the starter shingle, place fastener 1" in from each side edge and about 2" up from the starter shingle's exposed butt edge, making sure fastener goes 3/4" into the deck or all the way through the deck. (see Figure 11-20). For each full Cedar Crest shingle, place fasteners 8 5/8" up from its exposed butt edge and 1" in from each side edge (see Figure 11-21).

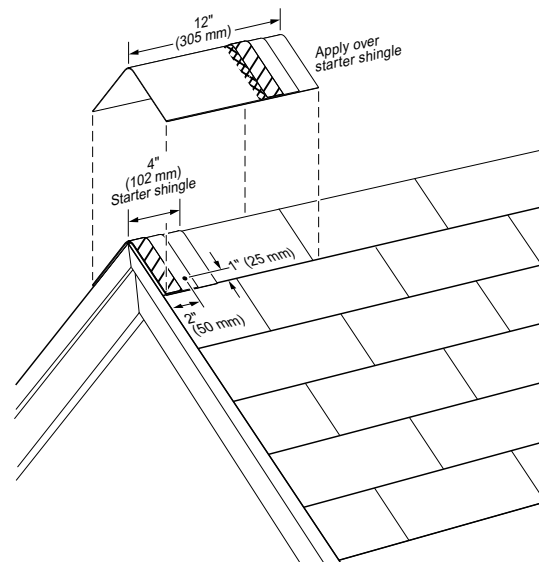


Figure 11-20: Apply a full cap shingle over the starter shingle.

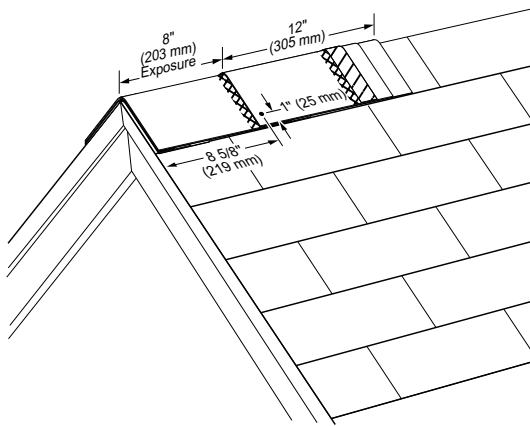


Figure 11-21: Install cap shingles at an 8" exposure and fasten with one nail on each side as shown.

IMPORTANT: High Wind Instructions. In order to achieve the ASTM D3161 Class "F" Wind Resistance Classification each "hip and ridge" shingle must be both 1) fastened with nails as shown and 2) hand-sealed with two 1/4" wide beads of either BASF "Sonolastic® NP1™ Adhesive" or Henkel "PL® Polyurethane Roof & Flashing Cement" applied from the middle of the shingle's raised overlay on the top piece and extending approximately 4" along the sides of the headlap along a line 3/4"-1" in from each side edge of the shingle's headlap as shown. Immediately align and apply the next overlying shingle, gently pressing tab sides into adhesive. Only one side of the double thickness tab is laminated together; to secure the other side, after folding the shingle over the ridge and nailing into position, a 1" diameter spot of either NP1 or PL adhesive must be applied between the shingle layers as shown. Immediately align and apply the next overlying shingle, gently pressing tab sides into adhesive.

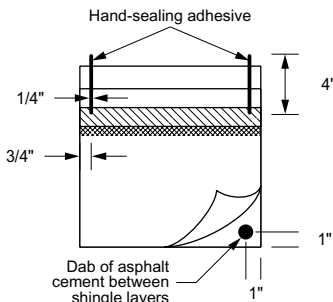


Figure 11-22: Hand seal caps as shown.

CEDAR CREST® APPLICATION

Apply primary roofing up to hip or ridge on both sides of roof and trim flush. Ensure that the Cedar Crest shingles will adequately cover the top course of the shingles on both sides of the hip or ridge. Prepare a 4" "starter" shingle by cutting off the lower 8" color granule portion of one Cedar Crest shingle. Apply the 4" starter piece with raised overlay edge over the bottom corner of the hip or to either end of the ridge, overhanging the corner or end by approximately 1/2" and bending the starter shingle along its centerline to form into place (see Figure 11-20). Install a nail on each side about 2" up from the starter shingle's exposed butt edge and 1" in from each side edge of the shingle.

Then apply a full 12" x 12" piece over the starter, bending the shingle along its centerline and forming it into place over the hip or ridge, flush with the bottom and side edges of the starter shingle. Fasten with two nails minimum 1 3/4" long with one nail on each side of shingle 8 5/8" up from the butt edge and 1" in from each side edge (see Figure 11-21).

Continue application of Cedar Crest shingles up the hip or along the ridge, forming each shingle over the hip or ridge, and fasten as shown in Fastening. Expose Cedar Crest shingles 8", covering all fasteners.

To assist in proper alignment, snap a chalk line parallel to the hip or ridge applying along the line where the side edges of the Cedar Crest shingles should be.

Here's a Tip... In the winter put hip and ridge cap shingles in your truck with the heater blasting for 20 minutes so the caps don't crack when formed. (Thanks to Mark Dulz, Richmond, MI.)

SECTION 11 SELF-TEST

- 11-1. When applying Landmark® shingles on roof slopes up to 21/12, fasteners must be placed in:
- A. The 1½" nailing area.
 - B. The common-bond area.
- 11-2. When “six-nailing” a full Landmark Shingle, nails must be spaced evenly across the shingle.
- A. True.
 - B. False.
- 11-3. Failure to follow steep slope fastening instructions can void the warranty in the event of a shingle delamination.
- A. True.
 - B. False.
- 11-4. Closed valleys are preferred when installing Landmark Shingles.
- A. True.
 - B. False.
- 11-5. Two layers of felt is not an alternative to WinterGuard® whenever there is a chance of ice buildup in cold weather climates.
- A. True.
 - B. False.
- 11-6. Putting six nails in the common bond area of a Landmark shingle does not increase the wind warranty from 110 mph to 130 mph.
- A. True.
 - B. False.
- 11-7. Landmark shingles can be applied using the “6" and 11" Method.”
- A. True.
 - B. False.
- 11-8. Failure to follow the five-course application method will bring joints too close together and may cause unattractive patterns.
- A. True.
 - B. False.

Test on-line @ www.certainteed.com/msatest.