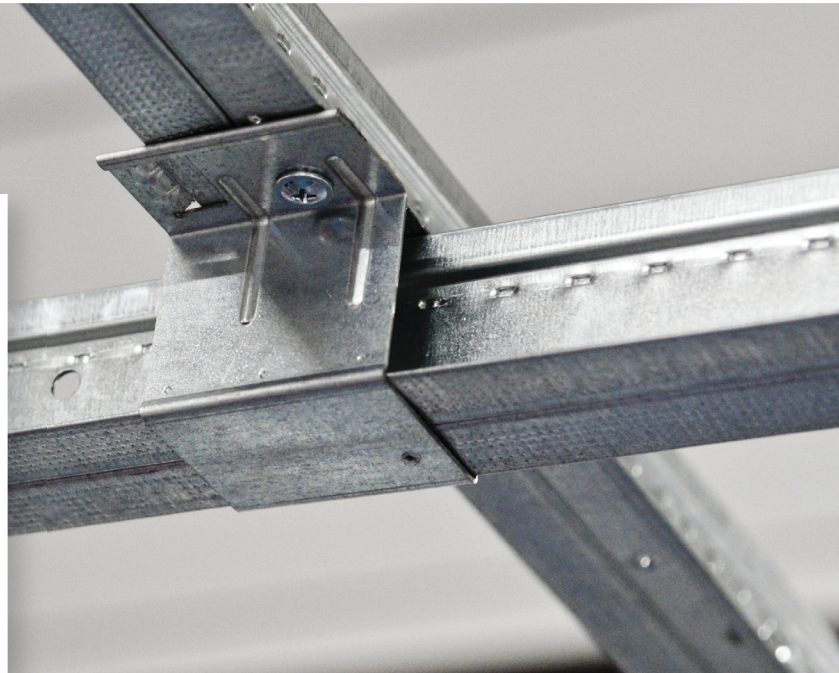
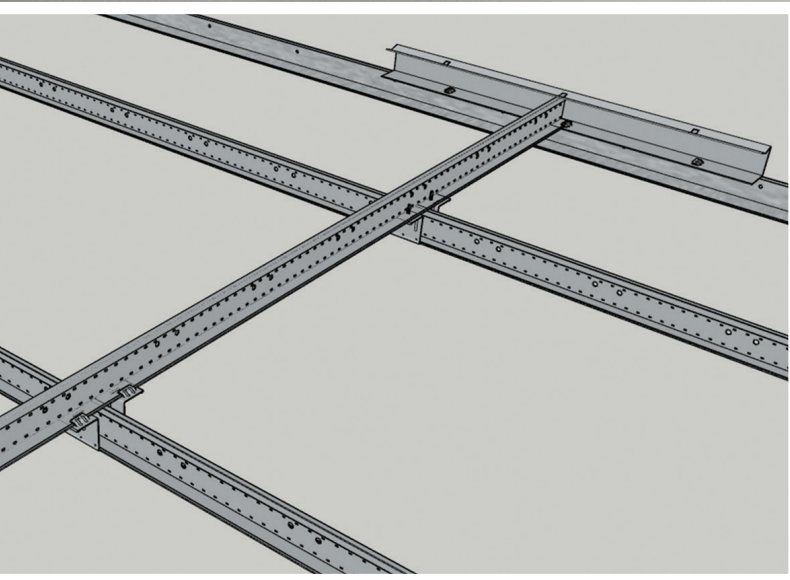


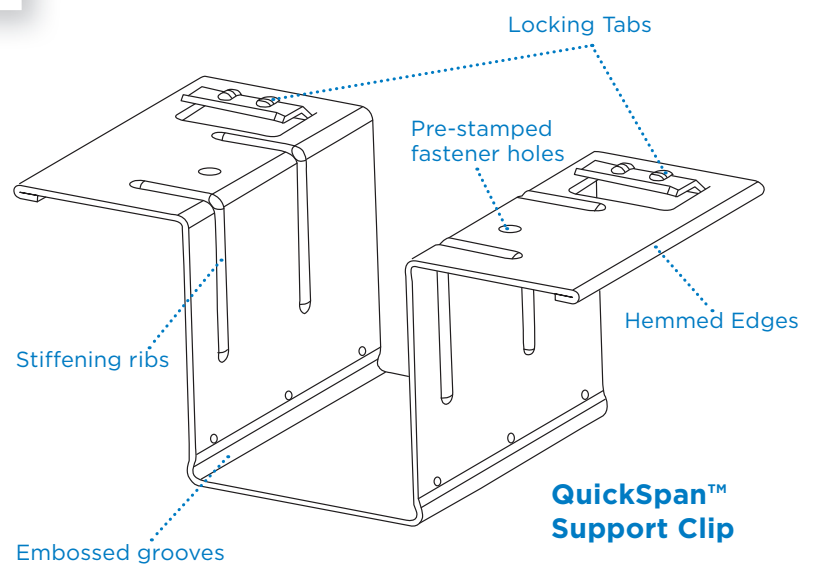
# QuickSpan™ Support Clip Installation Guide

## CertainTeed Ceilings



The QuickSpan™ Support Clip, an accessory primarily designed for loadbearing support when used with CertainTeed's QuickSpan Locking Drywall Grid, reduces labor costs and speeds up installations.

The clip, designed with 20 gauge, galvanized steel for strength, comes pre-engineered with locking tabs, which audibly click to hold one side of the clip in place. The embossed groove enables easy "snapping" placement of spanning tees. Pre-stamped fastener holes allow for easy location of screws. The stiffening ribs provide added strength and rigidity to the system. Finally, the hemmed edge provides protection against hand cuts.



CertainTeed Suspension Systems |  
**Fast. Easy. Reliable. A simple formula for success**

**CertainTeed**  
SAINT-GOBAIN

## Benefits:

- ▶ Allows for fewer hanger wires, positioned 4-6.5' on center
- ▶ Enables longer spans with up to 16' with just one hanger wire
- ▶ Supports wider spanning tee spacing at 24" on center
- ▶ Provides easier connection at walls utilizing QuickSpan's patented locking channel

# Installation Instructions - 15 Steps

### Step 1:

Establish the height of your locking c-channel above the finished floor. Be sure to incorporate the thickness of the gypsum board.

### Step 2:

Establish the position of your first spanning tee. Measure and cut the locking c-channel so that the first carpenter's mark is the appropriate distance from the starting point.

### Step 3:

The locking c-channel must be screw-attached to minimum no. 25 gauge steel wall studs spaced at a maximum spacing of 24" on center, with one no. 8 screw by 1-1/4" long, self-tapping screws.

### Step 4:

Repeat steps 1-3 on the opposite wall, making sure that the carpenter lines match up.

### Step 5:

Install hanger wires in the center of the span at the required on center spacing. On the adjacent wall, fasten 24" piece of locking c-channel with carpenter's mark in the center. This piece will receive the carrying tee at the wall.

### Step 6:

Install spanning tees by turning the tee on its side. Insert one end in the channel. On an angle, slide the other end into the channel on the opposite wall. Guide the bulb of the tee into the cut out on the "V" at the top of the channel, and then twist the tee until the flange "clicks" into the locking tab.

### Step 7:

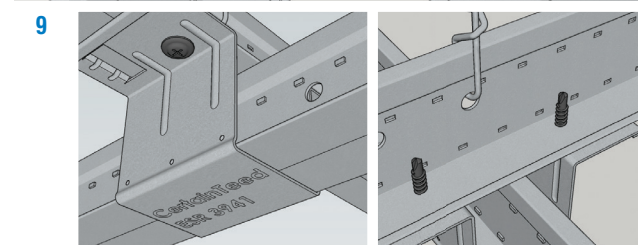
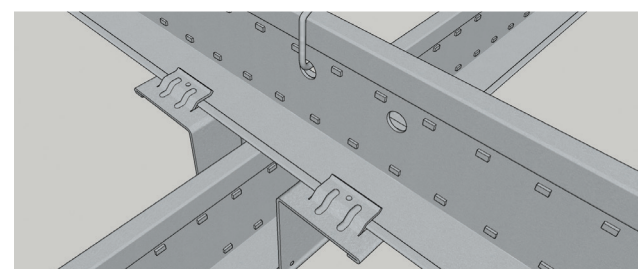
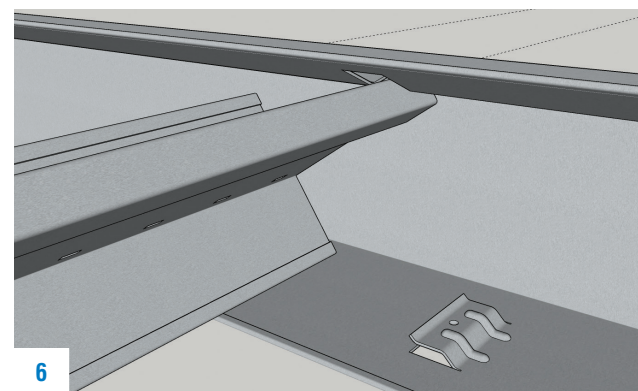
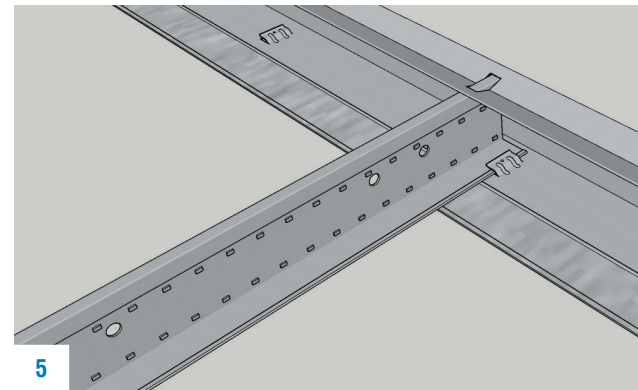
Repeat step 5 at the other end. Repeat 5 and 6 until area is complete.

### Step 8:

Feed the spanning tee above and perpendicular to the installed cross tees. This will serve as the carrying t-bar. Install one end into the locking c-channel.

### Step 9:

Clip the QuickSpan Support Clip on the spanning tee by snapping the u-shaped area onto flange.

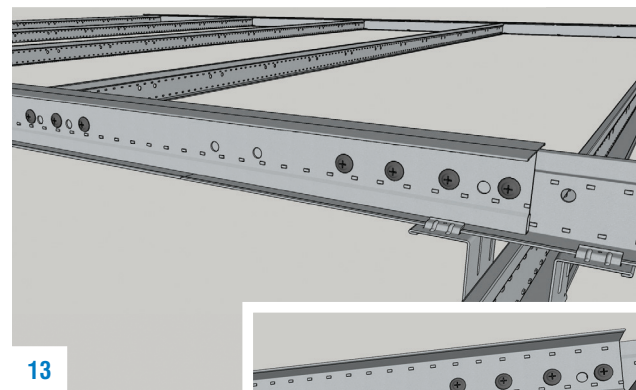
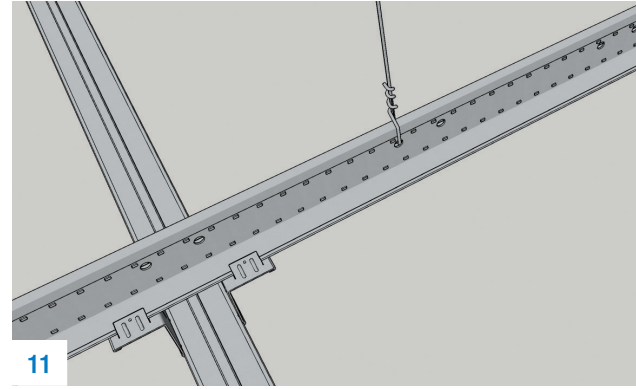
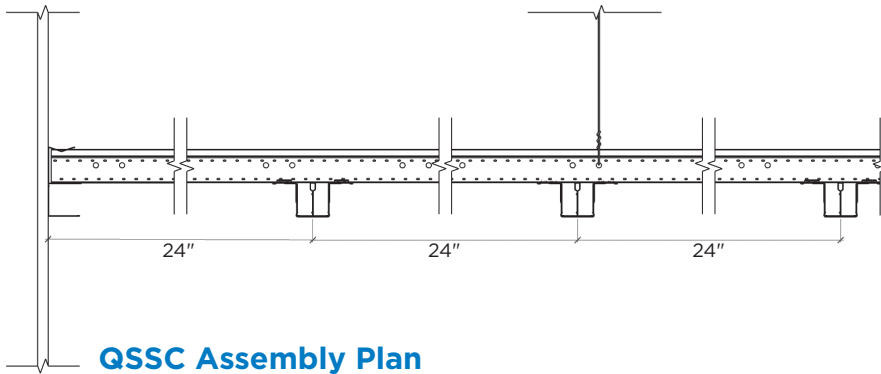


### Step 10:

Slide the clip toward the carrying t-bar and push to engage both locking tabs on the flange of the t-bar. Both tabs should click to be properly seated.

### Step 11:

Measure centers from the wall and spanning tees before fastening two screws into the holes of the QuickSpan Support Clip using no. 7 wafer head Vector®\* screws.



### Step 12:

Repeat step 11 alternating the side the locking tabs are on.

### Step 13:

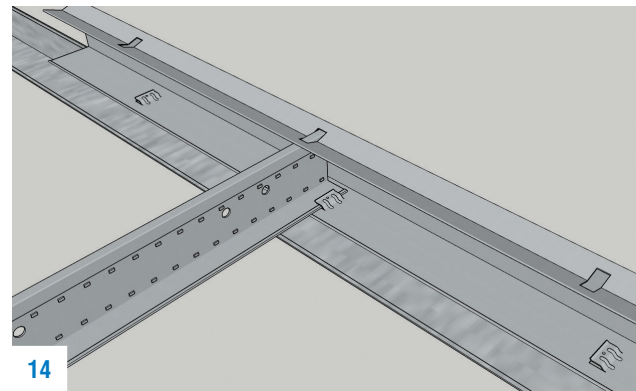
Cut 16" pieces of carrying t-bar for the splice support connection. Make the 8" line of the 16" piece with a marker. Turn this piece upside down and center at the splice of the carrying t-bar. Fasten each side with four no. 7 wafer head Vector® screws.

### Step 14:

Repeat step 13 at each splice until all splices are complete. On the terminating wall, fasten 24" piece of locking c-channel with carpenter's mark in the center using no. 8 by 1-1/4" long, steel-framing, self-tapping screws. This piece will receive the carrying tee at the wall.

### Step 15:

Tie hanger wires through the carrying t-bar, making sure to level the system.



\*Vector® is an owned and registered trademark of Grabber Construction Products, Inc.

For detailed instructions please click [here](#) to our video.

