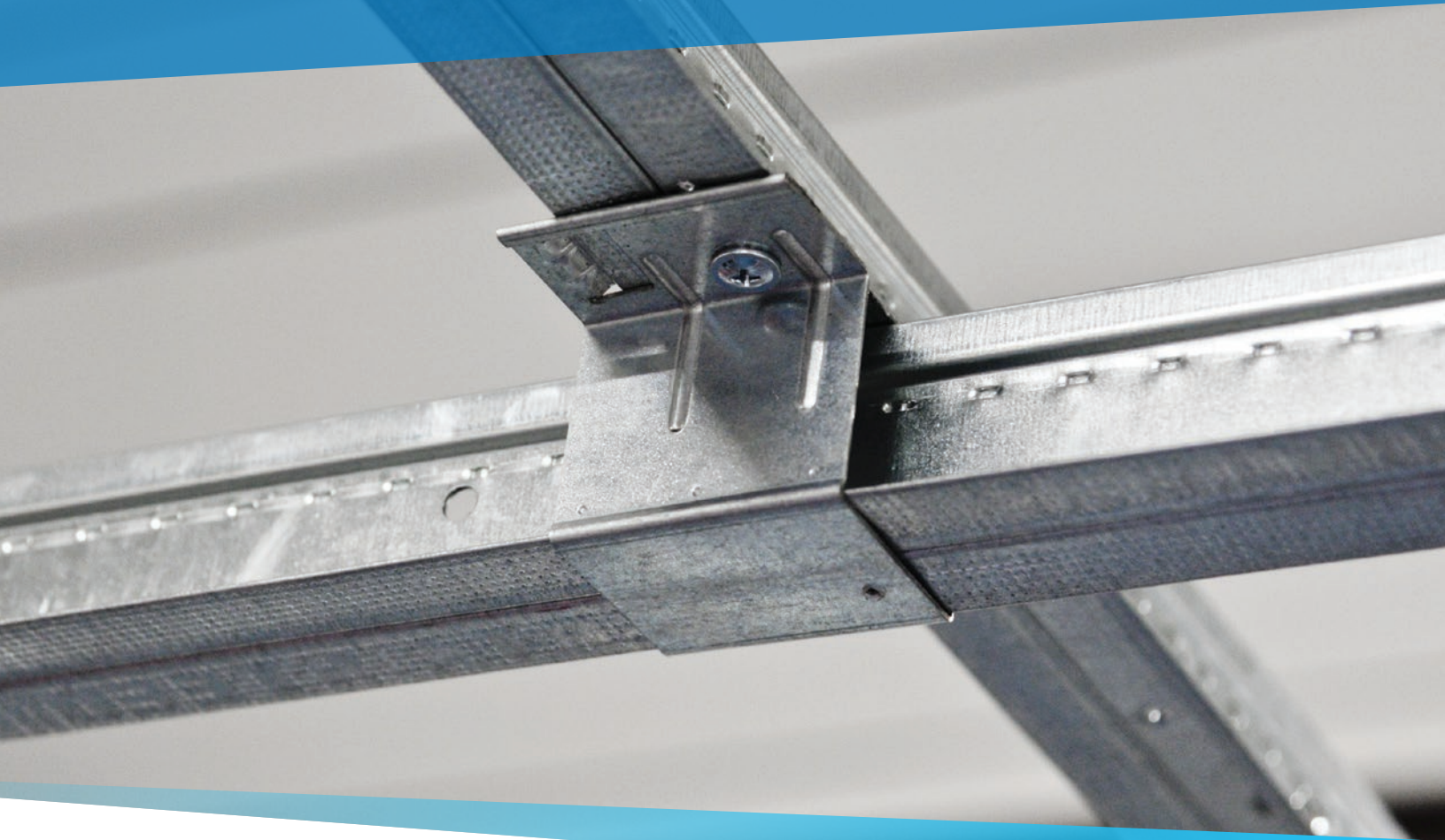


Fewer hanger wires, faster
installation, lower labor costs.



QUICKSPAN™ SUPPORT CLIP



FAST

Clip allows for fewer hanger wires spaced up to industry-leading 6'6"



EFFICIENT

Lower labor costs with fewer installers needed



STRONG

Offers maximum support for longer spans up to 16'



SIMPLE

Just slide, click and fasten into place



SMART

Audible click lets you know clip is locked in place

CertainTeed
SAINT-GOBAIN

QUICKSPAN™ SUPPORT CLIP



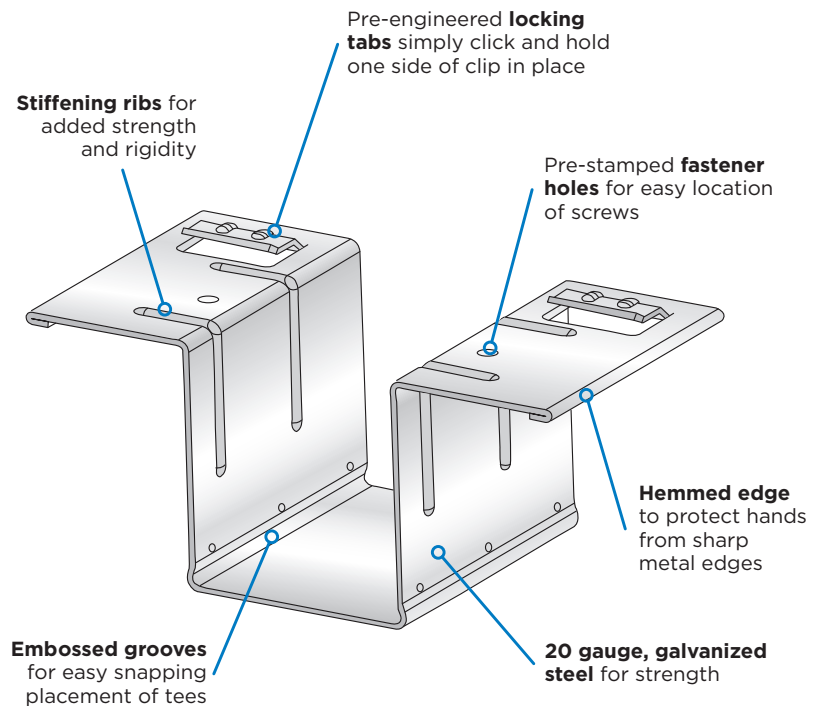
“ Just slide it on, click it in and you’re done. It’s a huge time-saver and cost-saver. You can’t beat it. ”

FEWER HANGER WIRES, LONGER SPANS

The QuickSpan™ Support Clip is a suspension system accessory designed for load-bearing support with the QuickSpan Locking Drywall Grid System. It allows for longer and stronger spans with fewer wires. Simply slide, snap and fasten it in place to support spans up to 16'. That means fewer installers can install more square footage in less time.

QUICKSPAN SUPPORT CLIP

- Slides and snaps into place on carrying tees for fast, easy installation
- Allows for fewer hanger wires at 4'-6'6" O.C., versus 3'-4' O.C. from the competition
- Enables longer spans up to 16' with just one hanger wire
- Supports wider spanning tee spacing at 24" O.C.
- Provides easier connection at walls utilizing the QuickSpan patented locking channel
- Tested performance data available in ICC ESR-3941
- 10-year limited warranty



Connect with us



CertainTeed
SAINT-GOBAIN

For more on the QuickSpan Locking Drywall Grid System, visit [CertainTeed.com/QuickSpan](https://www.CertainTeed.com/QuickSpan) or call 800-233-8990