



The fastest way to install  
drywall grid in corridors.

## QUICKSPAN™ LOCKING DRYWALL GRID SYSTEM



### **FAST**

Fewer hanger wires means quicker installation and industry leading spacing



### **EFFICIENT**

Lower labor costs with fewer installers needed



### **SIMPLE**

Convenient pre-measured tabs make layout a breeze



### **SMART**

Audible click lets you know tee is locked in place



### **STRONG**

New Support Clip offers maximum support for longer spans

**CertainTeed**  
SAINT-GOBAIN



## FEWER HANGER WIRES, FASTER INSTALLATION, LOWER LABOR COSTS

**The QuickSpan™ Locking Drywall Grid System** offers quicker, easier installation of spans for drywall ceilings in hallway and corridor applications.

**The QuickSpan Support Clip** is an accessory designed for load-bearing support, providing longer and stronger spans with fewer wires. Simply slide, snap and fasten it in place to support spans up to 16’.

In hands-on trials, installers agree – the click-in design of QuickSpan delivers faster installation with strength and stability.

---

### QUICKSPAN TEES

---

- Eliminates the need for hanger wires for unsupported spans up to 9’ with 5/8” drywall and 16” O.C. spacing (See chart)
- Knurled face for easier screw installation
- Web is double-stitched for added strength
- Heavy-duty material for maximum rigidity and screw grip
- G40 galvanization and 0.020” metal thickness

---

### QUICKSPAN LOCKING CHANNEL

---

- Pre-engineered locking tabs punched at 8” O.C.
- Tees quickly twist into place for fast installation
- Locking tab prevents lateral and upward movement
- No need for screws, pop rivets or crimpers
- Carpenters marks at locking tabs for quick alignment

### APPLICATIONS INCLUDE:

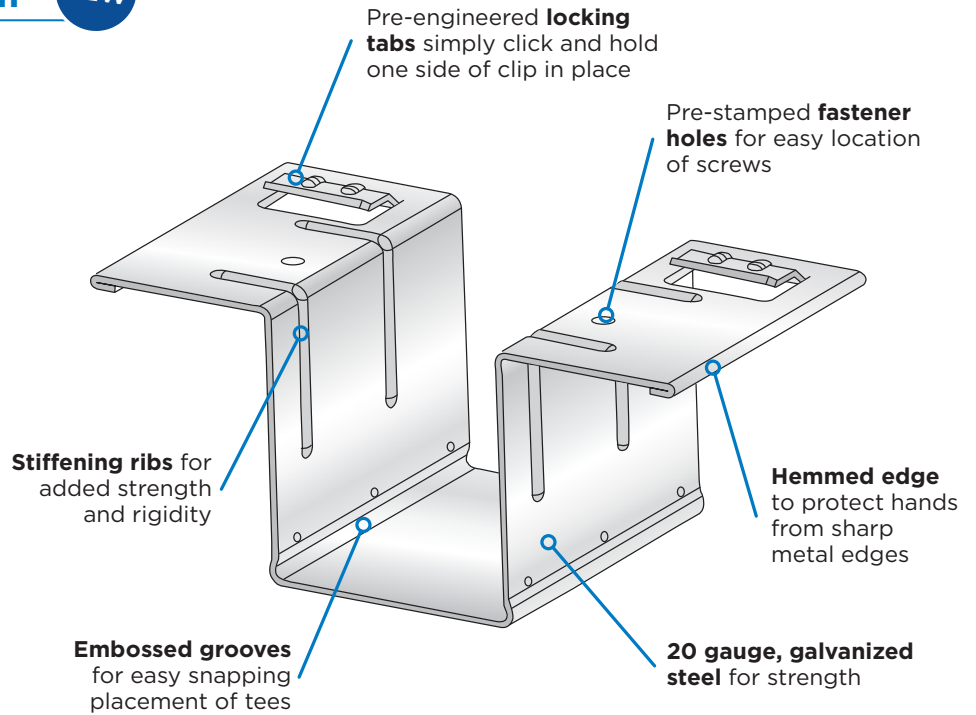
Corridors, offices, and small rooms in condominiums, apartments, hotels, motels, education, healthcare and offices.

### ALL QUICKSPAN GRID COMPONENTS OFFER:

- Tested performance data available in ICC ESR-3941
- 10-year limited warranty

## QUICKSPAN™ SUPPORT CLIP NEW

- Slides and snaps into place on carrying tees for fast, easy installation
- Allows for fewer hanger wires at 4'-6'6" O.C., versus 3'-4' O.C. from the competition
- Enables longer spans up to 16' with just one hanger wire
- Supports wider spanning tee spacing at 24" O.C.
- Provides easier connection at walls utilizing the QuickSpan patented locking channel



### HANGER WIRE SPACING (in.) FOR QUICKSPAN TEE PERPENDICULAR SUPPORT WITH SUPPORT CLIP AT CENTER

GYPSUM BOARD WEIGHT	FULL SPAN IN ft. (UNSUPPORTED SPAN IN ft.)*									
	7'(3.5')	8'(4')	9'(4.5')	10'(5')	11'(5.5')	12'(6')	13'(6.5')	14'(7')	15'(7.5')	16'(8')
	Hanger spacing (in.)									
5 lbs/Sq. ft.	60.0	57.4	55.2	53.3	51.6	50.1	48.8	47.6	46.5	45.5
2.5 lbs/Sq. ft.	75.6	72.3	69.5	67.1	65.0	63.2	61.5	60.0	58.6	57.4
2 lbs/Sq. ft.	78.0	78.0	74.9	72.3	70.0	68.0	66.2	64.6	63.2	61.8
1.4 lbs/Sq. ft.	78.0	78.0	78.0	78.0	78.0	76.6	74.6	72.8	71.1	69.6

\*Unsupported span is equal to the distance measured between locking channels and the perpendicular QuickSpan support tee.

For full load test data, download the QuickSpan Locking Drywall Grid System data sheet at [CertainTeed.com/QuickSpan](http://CertainTeed.com/QuickSpan).

For more on the QuickSpan Locking Drywall Grid System, visit [CertainTeed.com/QuickSpan](http://CertainTeed.com/QuickSpan) or call 800-233-8990

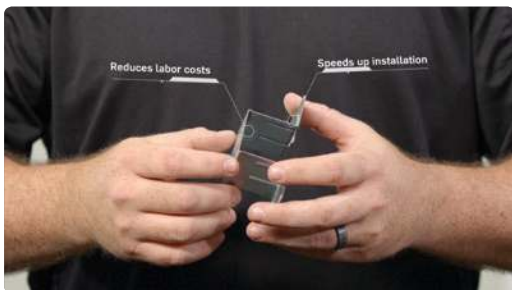
**CertainTeed**  
SAINT-GOBAIN

# MORE TIME-SAVING SOLUTIONS FROM CERTAINTEED

View product videos and learn more about our QuickSpan Locking Drywall Grid System at [CertainTeed.com/QuickSpan](http://CertainTeed.com/QuickSpan)

## SIDE-BY-SIDE PRODUCT COMPARISON VIDEO

Watch how much faster the QuickSpan™ Locking Drywall Grid System is versus the competition.



## WATCH STEP-BY-STEP INSTALLATION GUIDES:

- QuickSpan™ Locking Drywall Grid System
- QuickSpan™ Support Clip

Connect with us



**CertainTeed**  
SAINT-GOBAIN

Contact your CertainTeed Ceilings representative by calling 800-233-8990

[CertainTeed.com/QuickSpan](http://CertainTeed.com/QuickSpan) 800-233-8990 ©2/19 CertainTeed Corporation CTC-06-500