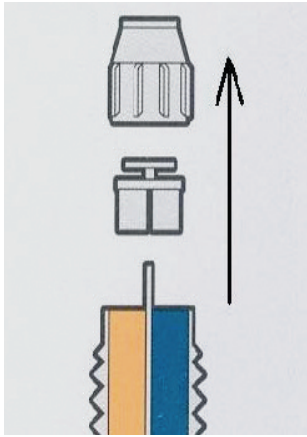


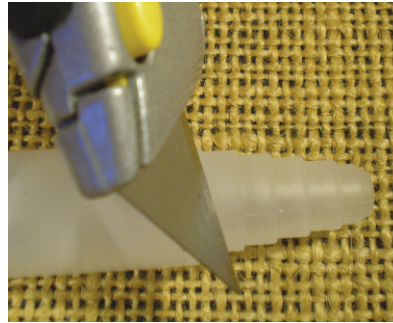
# CIM 1000 Trowel Grade Cartridge Instruction Sheet



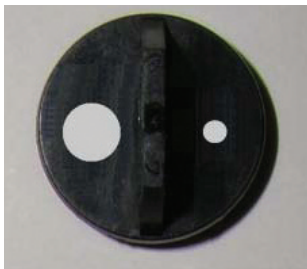
1. Retaining Nut, Cartridge Caps



3. Orifice Restrictor on Cartridge Tubes



5. Cut Tip of Static Mixer



2. Orifice Restrictor

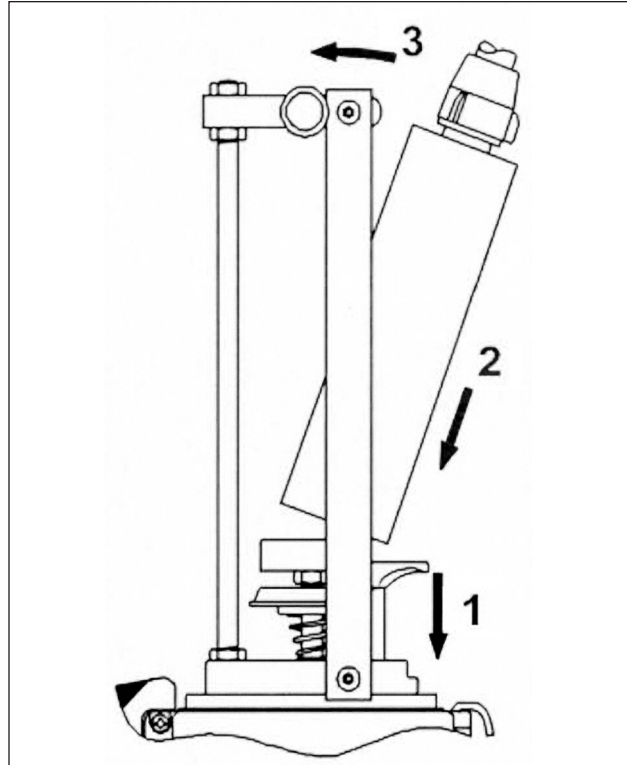


4. Static Mixer Attached to Cartridge With Retaining Nut

## CIM 1000 Trowel Grade Cartridge Setup Instructions

**Note: Perform steps 1-6 below with tip of cartridge and static mixer pointed upward.**

1. Remove retaining nut and cartridge caps from the CIM Trowel Grade Cartridge.
2. Insert orifice restrictor with small hole over smaller cartridge tube.
3. Attach the static mixer to the cartridge using the retaining nut.
4. Cut off the plastic tip of static mixer to the appropriate width.
5. Insert cartridge into caulking gun as shown above while keeping the tip pointed up.
6. Keep static mixer pointed upward, and prime the static mixer by squeezing the trigger of the caulking gun 2-3 times. Discard the first 6" shot of material dispensed from the mixer.
7. The cartridge may now be pointed in any direction (away from personnel) and is ready for use.

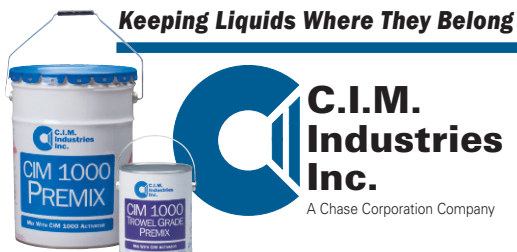


6. Insert Cartridge Into Caulking Gun While Keeping Tip Pointed Up

## Storing and Reusing a Partially Used Cartridge

1. Leave the used static mixer on the partially used cartridge; the product in the mixer will cure and act as a natural sealant. Alternatively, remove the static mixer and restrictor and replace the original cartridge caps and retaining nut.
2. Remove the old static mixer or original cartridge cap/retaining nut, only when ready to use again, and then follow steps 1-7 at left.

Published data and specifications subject to change without notice.



[www.cimindustries.com](http://www.cimindustries.com)  
23 Elm Street  
Peterborough, NH 03458 USA

Tel 603.924.9481  
800.543.3458  
Fax 603.924.9482

