

3-1/2" J-Weep High-Back (JWP)

Used as sill weep screed or at door and window opening

J-Weep High-Back Plaster Stop is a J-shaped, square-nosed trim manufactured from 26-gauge galvanized steel. The 1-3/8" ground is designed for use with 1" of foam, lath, and a one-coat, 3/8" proprietary stucco system.

The foam will be placed over the holes to allow drainage and the high-backed rear flange serves as the rear flashing which is covered by the building paper to encourage proper drainage. The J-Weep provides straight edge stops for applied plaster stucco and E.I.F.S. as well as offering exacting grounds and protective weeps. It is corrosion resistant and safe for use with thin stone.

J-Weep High-Back Plaster Stop is provided with other ground sizes, including 3/8", 1/2", 3/4" and 7/8" grounds for proprietary one-coat and multi-coat stucco systems.

ES reports require this type of drainage mechanism to meet the requirements of those systems.

Product Data & Ordering Information:

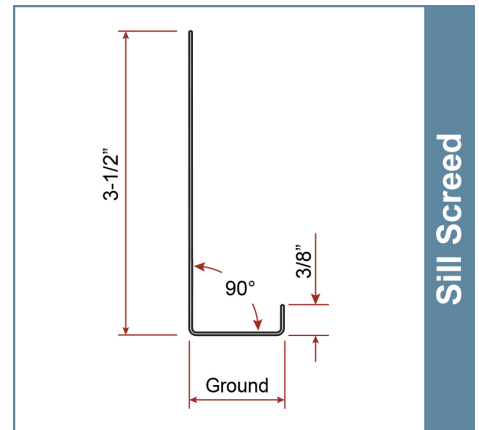
Material: 0.0172" base steel, 26 Gauge, G60 Galvanized Steel
 Dimensions: 3-1/2" x Ground Size x 10' Long
 3/8" weep holes spaced at 3.5" o.c. along the ground

Grounds	Depth	Length	Lbs./Ft.	Pcs./Ctn.
3/8"	3-1/2"	10'	.22 lbs.	10
1/2"	3-1/2"	10'	.23 lbs.	10
3/4"	3-1/2"	10'	.24 lbs.	10
7/8"	3-1/2"	10'	.26 lbs.	10
1-3/8"	3-1/2"	10'	.29 lbs.	10

ASTM & Code Standards:

- Material: ASTM C1063, ASTM C1780 (Stone)
- Installation: ASTM C1780 and EMLA-920-09
- SDS & Product Certification Information is available at www.clarkdietrich.com/SupportDocs

09.22.36 (Metal Lath)



- Provides straight-edge stops for applied plaster stucco and E.I.F.S.
- Offers exacting grounds and protective weeps
- Resists corrosion
- Can be used for thin stone



Sustainability Credits:

For more details and LEED letters contact Technical Services at 888-437-3244 or visit www.clarkdietrich.com/LEED

LEED v4 MR Credit -- Building Product Disclosure and Optimization: EPD (1 point) - Sourcing of Raw Materials (1 point) - Material Ingredients (1 point) - Construction and Demolition Waste Management (up to 2 points) - Innovation Credit (up to 2 points).

LEED 2009 Credit MR 2 & MR 4 -- ClarkDietrich's steel products are 100% recyclable and have a national average recycled content of 34.2% (19.8% post-consumer and 14.4% pre-consumer). If seeking a higher number to meet Credit MR 5, please contact us at (info@clarkdietrich.com / 888-437-3244)

Project Information

Name:
Address:

Contractor Information

Name:
Contact:
Phone:
Fax:

Architect Information

Name:
Contact:
Phone:
Fax: