

## EasyClip™ E-Series™ Support Clip

Long leg accommodates greater standoff for rigid connections.

ClarkDietrich EasyClip™ E-Series™ support clips are primarily used for rigid standoff connections. The 4" wide leg provides extra length to achieve standoff connections up to 3". The EasyClip E-Series support clips are also commonly used in bypass wall conditions, a variety of floor framing applications including solid and ladder blocking attachments and joist-to-joist connections, and to secure rafter framing to the primary structure. Available in a variety of lengths and gauges, these clips are prepunched for faster and more accurate fastener placement.

### ALTERNATIVE PRODUCTS

Uni-Clip™

EasyClip™ D-Series™ Anchor Clip

EasyClip T-Series™ Tall Anchor Clip

SwiftClip™ LE-Series™ Support Clip

### PRODUCT DIMENSIONS

1-1/2" x 4" x 3"

1-1/2" x 4" x 5"

1-1/2" x 4" x 7"

1-1/2" x 4" x 9"

1-1/2" x 4" x 11"

### MATERIAL SPECIFICATIONS

**Gauge:** 16 gauge (54mil)

**Design Thickness:** 0.0566 inches

**Gauge:** 14 gauge (68mil)

**Design Thickness:** 0.0713 inches

**Gauge:** 12 gauge (97mil)

**Design Thickness:** 0.1017 inches

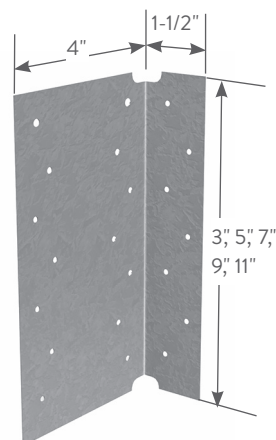
**Coating:** G90

**Yield Strength:** 50ksi

**ASTM:** A653/A653M

### INSTALLATION

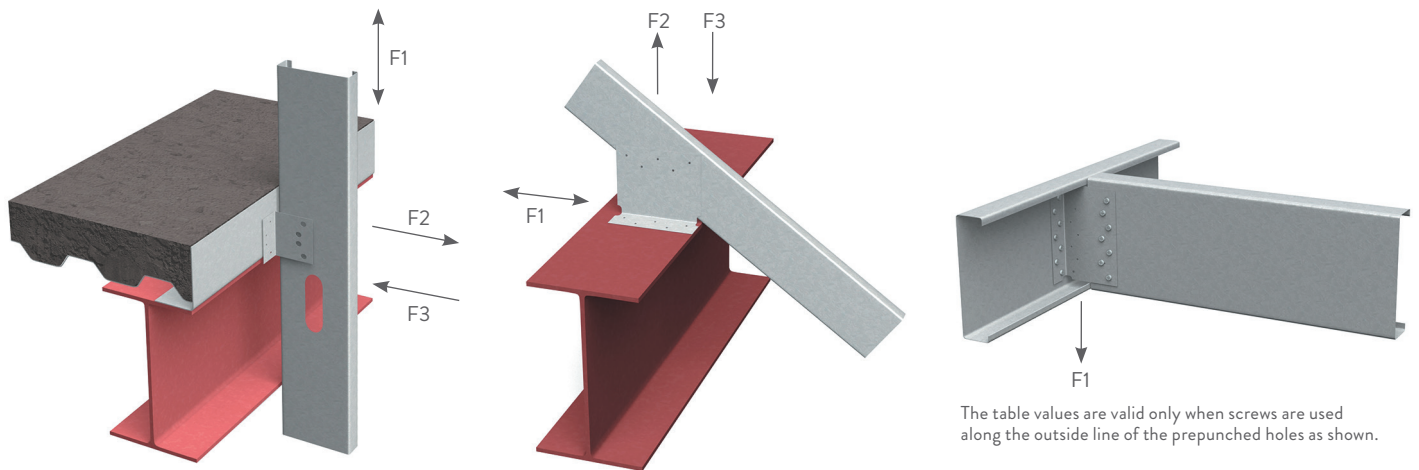
EasyClip E-Series support clips are attached to the cold-formed steel (CFS) framing members using #10 minimum self-drilling screws driven through the clip holes into the steel framing. When not filling all holes, install fasteners symmetrically starting at the top and bottom edges and move toward the center of the clip. Clip can also be welded to the CFS framing. Connections to the building frame can be made with powder-actuated fasteners, drill-in concrete anchors or welding. When using the tabular values for a welded clip, provide a full weld to the structure, top to bottom, along the outside of the clip. A 3/4" minimum weld on the outside edge of the 1-1/2" leg is also required to control warping or to hold the clip in place before final welding.



EasyClip E-Series  
Support Clip

### EasyClip™ E-Series™ Support Clips

Product code	Thickness		Size (in)	Packaging Pcs./Bucket
	Mils (Gauge)	Design thickness (in)		
E543	54mil (16ga)	0.0566	4 x 1-1/2 x 3	100
E545	54mil (16ga)	0.0566	4 x 1-1/2 x 5	100
E547	54mil (16ga)	0.0566	4 x 1-1/2 x 7	100
E549	54mil (16ga)	0.0566	4 x 1-1/2 x 9	50
E541	54mil (16ga)	0.0566	4 x 1-1/2 x 11	50
E683	68mil (14ga)	0.0713	4 x 1-1/2 x 3	100
E685	68mil (14ga)	0.0713	4 x 1-1/2 x 5	100
E687	68mil (14ga)	0.0713	4 x 1-1/2 x 7	80
E689	68mil (14ga)	0.0713	4 x 1-1/2 x 9	50
E681	68mil (14ga)	0.0713	4 x 1-1/2 x 11	50
E973	97mil (12ga)	0.1017	4 x 1-1/2 x 3	50
E975	97mil (12ga)	0.1017	4 x 1-1/2 x 5	50
E977	97mil (12ga)	0.1017	4 x 1-1/2 x 7	50
E979	97mil (12ga)	0.1017	4 x 1-1/2 x 9	50
E971	97mil (12ga)	0.1017	4 x 1-1/2 x 11	40



**E-Series™ Support Clips Allowable Clip Capacities (lbs)**

**USING #10-16 SELF-DRILLING SCREWS**

Product code	No. of screws to steel framing	Stud Thickness and Yield Strength								
		20ga (33mil) 33ksi			18ga (43mil) 33ksi			16ga (54mil) 50ksi		
		F1	F2	F3	F1	F2	F3	F1	F2	F3
E543	3	101 (101)	210 (531)	507	150 (150)	210 (788)	507	266 (155)	210 (1195)	507
E545	2	176 (176)	354 (354)	354	261 (261)	371 (525)	525	463 (453)	371 (933)	811
	5	251 (251)	371 (885)	885	372 (372)	371 (1313)	912	625 (479)	371 (2105)	912
E547	4	380 (380)	531 (708)	708	564 (564)	531 (1050)	1050	1002 (970)	531 (1867)	1347
	7	455 (455)	531 (1239)	1239	675 (675)	531 (1838)	1318	1169 (960)	531 (3015)	1318
E549	4	477 (477)	692 (708)	708	707 (707)	692 (1050)	1050	1257 (1257)	692 (1867)	1753
	9	706 (706)	692 (1593)	1593	1048 (1048)	692 (2363)	1724	1862 (1576)	692 (3925)	1724
E541	6	727 (727)	852 (1062)	1062	1079 (1079)	852 (1576)	1576	1918 (1918)	852 (2800)	2053
	11	995 (995)	852 (1947)	1947	1476 (1476)	852 (2889)	2130	2623 (2301)	852 (4835)	2130
E683	3	101 (101)	333 (531)	531	150 (150)	333 (788)	788	266 (196)	333 (1400)	1011
E685	2	176 (176)	354 (354)	354	261 (261)	525 (525)	525	463 (463)	587 (933)	933
	5	251 (251)	587 (885)	885	372 (372)	587 (1313)	1313	661 (602)	587 (2333)	1817
E687	4	380 (380)	708 (708)	708	564 (564)	841 (1050)	1050	1002 (1002)	841 (1867)	1867
	7	455 (455)	841 (1239)	1239	675 (675)	841 (1838)	1838	1200 (1200)	841 (3267)	2625
E689	4	477 (477)	708 (708)	708	707 (707)	1050 (1050)	1050	1257 (1257)	1095 (1867)	1867
	9	706 (706)	1095 (1593)	1593	1048 (1048)	1095 (2363)	2363	1862 (1862)	1095 (4200)	3434
E681	6	727 (727)	1062 (1062)	1062	1079 (1079)	1349 (1576)	1576	1918 (1918)	1349 (2800)	2800
	11	995 (995)	1349 (1947)	1947	1476 (1476)	1349 (2889)	2889	2623 (2623)	1349 (5133)	4244
E973	3	101 (101)	531 (531)	531	150 (150)	679 (788)	788	266 (266)	679 (1400)	1400
E975	2	176 (176)	354 (354)	354	261 (261)	525 (525)	525	463 (463)	933 (933)	933
	5	251 (251)	885 (885)	885	372 (372)	1196 (1313)	1313	661 (661)	1196 (2333)	2333
E977	4	380 (380)	708 (708)	708	564 (564)	1050 (1050)	1050	1002 (1002)	1713 (1867)	1867
	7	455 (455)	1239 (1239)	1239	675 (675)	1713 (1838)	1838	1200 (1200)	1713 (3267)	3267
E979	4	477 (477)	708 (708)	708	707 (707)	1050 (1050)	1050	1257 (1257)	1867 (1867)	1867
	9	706 (706)	1593 (1593)	1593	1048 (1048)	2229 (2363)	2363	1862 (1862)	2229 (4200)	4200
E971	6	727 (727)	1062 (1062)	1062	1079 (1079)	1576 (1576)	1576	1918 (1918)	2746 (2800)	2800
	11	995 (995)	1947 (1947)	1947	1476 (1476)	2746 (2889)	2889	2623 (2623)	2746 (5133)	5133

**Notes:**

**Screw Capacity Notes:**

- The tabulated value indicates the number of screws in a single clip leg attached to the cold-formed steel (CFS) framing.
- Screws shall be attached in a symmetric manner, starting at the outside holes. See screw options on opposite page and above for examples.
- The allowable values for F1 are based only on the shear capacity of the 4" clip leg attached to the CFS framing. The capacity of the attachment to other materials and structures must be checked separately.
- The allowable values for F2 assume mechanical fasteners are attached to the structure using the 1-1/2" leg, and are along the vertical centerline of the clip leg. Mechanical fasteners to other materials and structures must be checked separately.
- This table is intended for use by qualified engineers only. It is the responsibility of the engineer to verify that the tabulated values apply to a specific connection application.
- When clips have combinations of F1, F2, and F3, use a linear interaction for combinations of F1 and F3, and a squared interaction for combinations of F1 and F2.
- The screw diameter must be 0.19" (min) for #10 screws.
- The ultimate screw shear strength must be a minimum of 1400 lbs for #10 screws.

- Screws must be long enough so at least three exposed threads are visible after installation.
- Allowable loads have not been increased 33% for wind or seismic.
- For connections made to 14ga (68mil) and 12ga (97mil), use the tabulated values for 16ga (54mil), 50ksi.
- Contact ClarkDietrich Technical Services at 888-437-3244 for assistance.

**Weld Capacity Notes:**

- F1 and F2 values in parentheses are maximum shear and tension capacities when the clips are welded to the base structure (min 3/16" — 36ksi).
- Listed weld capacities are computed assuming an E70XX welding rod or wire.
- The clips are to be welded to the structure along the back corner along the complete length of the clip. When secondary welds are used to hold the clip in place, they are not used in capacity calculations.