

## EasyClip™ S-Series™ Support Clip

For rigid connection applications not requiring a long leg.

ClarkDietrich EasyClip™ S-Series™ support clips are commonly used for rigid connections in window and door framing, joist, bypass or other miscellaneous connections to secure one framing member to another, or to secure framing members to the structural frame. This high-performance, multi-use utility clip is ideal for corner reinforcements, stair openings, and numerous support applications. Available in a variety of lengths and gauges, EasyClip S-Series clips are prepunched for faster and more accurate fastener placement.

### ALTERNATIVE PRODUCTS

EasyClip™ U-Series™ Clip Angle  
 EasyClip X-Series™ Clip Angle  
 EasyClip D-Series™ Anchor Clip  
 SwiftClip™ LS-Series™ Support Clip

### PRODUCT DIMENSIONS

1-1/2" x 1-1/2" x 3"  
 1-1/2" x 1-1/2" x 5"  
 1-1/2" x 1-1/2" x 7"  
 1-1/2" x 1-1/2" x 9"  
 1-1/2" x 1-1/2" x 11"

### MATERIAL SPECIFICATIONS

**Gauge:** 16 gauge (54mil)  
**Design Thickness:** 0.0566 inches

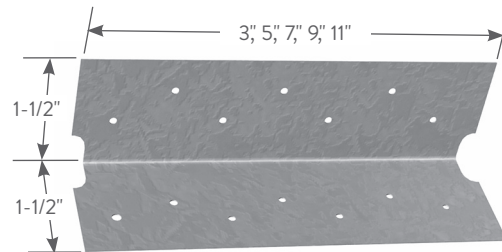
**Gauge:** 14 gauge (68mil)  
**Design Thickness:** 0.0713 inches

**Gauge:** 12 gauge (97mil)  
**Design Thickness:** 0.1017 inches

**Coating:** G90  
**Yield Strength:** 50ksi  
**ASTM:** A653/A653M

### INSTALLATION

EasyClip S-Series support clips are attached to the cold-formed steel (CFS) framing members using #10 minimum self-drilling screws driven through the clip holes into the steel framing. When not filling all holes, install fasteners symmetrically starting at the top and bottom edges and move toward the center of the clip. Clip can also be welded to the CFS framing. Connections to the building frame can be made with powder-actuated fasteners, drill-in concrete anchors or welding. When using the tabular values for a welded clip, provide a full weld to the structure, top to bottom, along the outside of the clip. A 3/4" minimum weld on the outside edge of the 1-1/2" leg is also required to control warping or to hold the clip in place before final welding.



EasyClip S-Series Support Clip

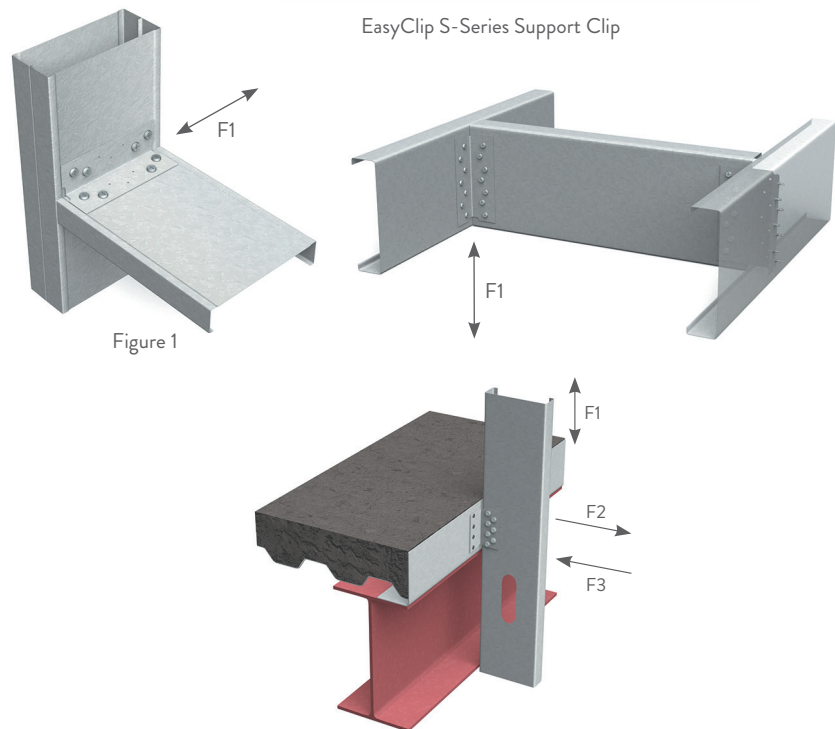


Figure 1

### EasyClip™ S-Series™ Support Clips

Product code	Thickness		Size (in)	Packaging Pcs./ Bucket
	Mils (Gauge)	Design thickness (in)		
S543	54mil (16ga)	0.0566	1-1/2 x 1-1/2 x 3	400
S545	54mil (16ga)	0.0566	1-1/2 x 1-1/2 x 5	200
S547	54mil (16ga)	0.0566	1-1/2 x 1-1/2 x 7	100
S549	54mil (16ga)	0.0566	1-1/2 x 1-1/2 x 9	100
S541	54mil (16ga)	0.0566	1-1/2 x 1-1/2 x 11	100
S683	68mil (14ga)	0.0713	1-1/2 x 1-1/2 x 3	200
S685	68mil (14ga)	0.0713	1-1/2 x 1-1/2 x 5	200
S687	68mil (14ga)	0.0713	1-1/2 x 1-1/2 x 7	100
S689	68mil (14ga)	0.0713	1-1/2 x 1-1/2 x 9	100
S681	68mil (14ga)	0.0713	1-1/2 x 1-1/2 x 11	100
S973	97mil (12ga)	0.1017	1-1/2 x 1-1/2 x 3	200
S975	97mil (12ga)	0.1017	1-1/2 x 1-1/2 x 5	150
S977	97mil (12ga)	0.1017	1-1/2 x 1-1/2 x 7	100
S979	97mil (12ga)	0.1017	1-1/2 x 1-1/2 x 9	80
S971	97mil (12ga)	0.1017	1-1/2 x 1-1/2 x 11	70

### EasyClip™ S-Series™ Support Clips Allowable Clip Capacities (lbs)

USING #10-16 SELF-DRILLING SCREWS

Clip	No. of screws to steel framing (1)	Stud Thickness and Yield Strength								
		20ga (33mil) 33ksi			18ga (43mil) 33ksi			16ga (54mil) 50ksi		
		F1	F2	F3	F1	F2	F3	F1	F2	F3
S543	3	295 (295)	210 (531)	531	437 (437)	210 (788)	788	777 (555)	210 (1195)	1400
	2	317 (317)	354 (354)	354	470 (470)	371 (525)	525	835 (835)	371 (933)	933
S545	5	651 (651)	371 (885)	885	965 (965)	371 (1313)	1313	1716 (1460)	371 (2105)	2333
	4	653 (653)	531 (708)	708	969 (969)	531 (1050)	1050	1722 (1722)	531 (1867)	1867
S547	7	1029 (1029)	531 (1239)	1239	1526 (1526)	531 (1838)	1838	2712 (2456)	531 (3015)	3267
	4	679 (679)	692 (708)	708	1007 (1007)	692 (1050)	1050	1790 (1790)	692 (1867)	1867
S549	9	1408 (1408)	692 (1593)	1593	2090 (2090)	692 (2363)	2363	3714 (3452)	692 (3925)	4200
	6	1015 (1015)	852 (1062)	1062	1505 (1505)	852 (1576)	1576	2675 (2675)	852 (2800)	2800
S541	11	1785 (1785)	852 (1947)	1947	2648 (2648)	852 (2889)	2889	4706 (4432)	852 (4835)	5133
	3	295 (295)	333 (531)	531	437 (437)	333 (788)	788	777 (699)	333 (1400)	1400
S683	2	317 (317)	354 (354)	354	470 (470)	525 (525)	525	835 (835)	587 (933)	933
S685	5	651 (651)	587 (885)	885	965 (965)	587 (1313)	1313	1716 (1716)	587 (2333)	2333
	4	653 (653)	708 (708)	708	969 (969)	841 (1050)	1050	1722 (1722)	841 (1867)	1867
S687	7	1029 (1029)	841 (1239)	1239	1526 (1526)	841 (1838)	1838	2712 (2712)	841 (3267)	3267
	4	679 (679)	708 (708)	708	1007 (1007)	1050 (1050)	1050	1790 (1790)	1095 (1867)	1867
S689	9	1408 (1408)	1095 (1593)	1593	2090 (2090)	1095 (2363)	2363	3714 (3714)	1095 (4200)	4200
	6	1015 (1015)	1062 (1062)	1062	1505 (1505)	1349 (1576)	1576	2675 (2675)	1349 (2800)	2800
S681	11	1785 (1785)	1349 (1947)	1947	2648 (2648)	1349 (2889)	2889	4706 (4706)	1349 (5133)	5133
	3	295 (295)	531 (531)	531	437 (437)	679 (788)	788	777 (777)	679 (1400)	1400
S973	2	317 (317)	354 (354)	354	470 (470)	525 (525)	525	835 (835)	933 (933)	933
	5	651 (651)	885 (885)	885	965 (965)	1196 (1313)	1313	1716 (1716)	1196 (2333)	2333
S975	4	653 (653)	708 (708)	708	969 (969)	1050 (1050)	1050	1722 (1722)	1713 (1867)	1867
	7	1029 (1029)	1239 (1239)	1239	1526 (1526)	1713 (1838)	1838	2712 (2712)	1713 (3267)	3267
S977	4	679 (679)	708 (708)	708	1007 (1007)	1050 (1050)	1050	1790 (1790)	1867 (1867)	1867
	9	1408 (1408)	1593 (1593)	1593	2090 (2090)	2229 (2363)	2363	3714 (3714)	2229 (4200)	4200
S979	6	1015 (1015)	1062 (1062)	1062	1505 (1505)	1576 (1576)	1576	2675 (2675)	2746 (2800)	2800
	11	1785 (1785)	1947 (1947)	1947	2648 (2648)	2746 (2889)	2889	4706 (4706)	2746 (5133)	5133

**Notes:**

**Screw Capacity Notes:**

- The tabulated value indicates the number of screws in a single clip leg attached to the cold-formed steel (CFS) framing.
- Screws shall be attached in a symmetric manner, starting at the outside holes and moving to the center. Reference Figure 1 on opposite page.
- The allowable values for F1 are based only on the shear capacity of the clip leg attached to the CFS framing. The capacity of the attachment to other materials and structures must be checked separately.
- The allowable values for F2 assume mechanical fasteners are attached to the structure, and are along the vertical centerline of the clip leg. Mechanical fasteners to other materials and structures must be checked separately.
- The screw diameter must be 0.19" (min.) for #10 screws.
- The ultimate screw shear strength must be a minimum of 1400 lbs for #10 screws.
- When clips have combinations of F1, F2, and F3, use a linear interaction for combinations of F1 and F3, and a squared interaction for combinations of F1 and F2.

- Screws must be long enough so that at least three exposed threads are visible after installation.
- Allowable loads have not been increased 33% for wind or seismic.
- For connections made to 14 gauge (68mil) and 12 gauge (97mil), use the tabulated values for 16 gauge (54mil), 50ksi.
- It is the responsibility of the design professional to detail the drawings for proper clip attachment.
- Contact ClarkDietrich at 888-437-3244 for technical assistance.

**Weld Capacity Notes:**

- F1 and F2 values in parentheses are maximum shear and tension capacities when the clips are welded to the base structure (min 3/16" – 36ksi steel).
- Listed weld capacities are computed assuming an E70XX welding rod or wire.
- The clips are to be welded to the structure along the back corner and along the complete length of the clip. When secondary welds are used to hold the clip in place, they are not used in capacity calculations.