

FastClip™ Slide Clip w/Anchor Holes

Curtain Wall/Bypass Connected to Slab w/Anchor Bolt

Vertical building movement up to 3".

ClarkDietrich FCSC-HD 68mils (14ga) is used to attach exterior curtain-wall studs to the building concrete structure and provide for vertical building movement independent of the cold-formed steel framing. FastClip Deflection Screws are provided with each clip for attachment to the wall studs and allow for 3" vertical deflection (1-1/2" up and down) to ensure friction-free sliding. A 5/8" hole in the short leg of the clip allows for a 1/2" concrete anchor to be attached to the slab. (2) 3/8" holes allow 1/4" anchors.

MATERIAL SPECIFICATIONS

- Gauge: 14 gauge (68mil)
- Design Thickness: 0.0713 inches
- Yield Strength: 50ksi
- Coating: G90
- ASTM: A653/A1003

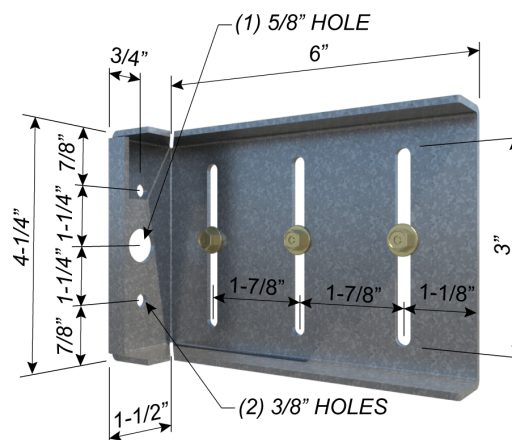
PRODUCT DIMENSIONS

FCSC-HD: 1-1/2" x 4-1/4" x 6" long

INSTALLATION

To attach the clip to the cold-formed steel framing stud, three FastClip deflection screws, shall be driven through the slotted holes and positioned to allow for the appropriate building deflection.

Attachment to the structure concrete slab can be made with 1/2" bolt anchors. Anchor connection design and edge distance requirements must be approved by a design professional before installation.



FCSC-HD Clips

Product code	Thickness		Size (in)	Packaging Pcs./Bucket
	Mils (Gauge)	Design thickness (in)		
FCSC-HD	68mil (14ga)	0.0713	1-1/2" x 6" x 4-1/4"	25

FCSC-HD includes (80) FastClip Deflection Screws

FastClip™ Slide Clip w/Anchor Holes (FCSC-HD)

ALLOWABLE LOADS

Clip Designation	Stud thickness ga (mils)	Anchors to Structure	ASD Allowable Loads (lbs)		
			F1	F2 w/ (2) screws into stud	F2 w/ (3) screws into stud
FCSC-HD 68mils (14ga)	33mil (20ga) 33ksi	(1) 1/2" x 2" Hilti KWIK Bolt ³	50	433	650
	43mil (18ga) 33ksi		95	592	887
	54mil (16ga) 50ksi		152	1054	1054
	68mil (14ga) 50ksi		188	1107	1107
	97mil (12ga) 50ksi		188	1107	1107

Notes:

- Capacities listed in the table represent the capacity of the clip and the screws to the stud. Capacities listed in notes 3 are limits if the specified connector to the structure is used.
- Capacities listed in the table/notes assume that no load reduction are required for spacing or edge distance of anchors.
- Tension capacity is limited to 1069-lbs when using 1/2" x 2" Hilti KWIK Bolt TZ anchor into 3000psi cracked concrete.
- Other anchors may be used to achieve the full clip capacity but must be designed separately.
- Allowable loads have not been increased for wind, seismic, or other factors.
- Hilti is a registered trademark of Hilti Aktiengesellschaft Corporation.
- It is the responsibility of the designer to properly detail connections on the contract drawings.

