

Furring / Hat Channel

Product category 7/8" Furring / Hat Channel - 30mils (20ga DW)
 Product name 087F125-30 (33ksi)
 Coating G40EQ (G40 or G60 Available)

Geometric Properties

Depth 0.875 in
 Width 1.250 in
 Design Thickness 0.0312 in
 Min. steel thickness 0.0296 in
 Yield stress, Fy 33ksi
 Ultimate, Fu 45ksi

Gross Section Properties of Full Section, Strong Axis

Cross sectional area (A) 0.118 in^(^2)
 Member weight per foot of length 0.401 lb/ft
 Moment of inertia (Ix) 0.014 in^(^4)
 Radius of gyration (Rx) 0.350 in
 Gross moment of inertia (Iy) 0.056 in^(^4)
 Gross radius of gyration (Ry) 0.691 in

Effective Section Properties, Strong Axis

Moment of inertia for deflection (Ix) 0.014 in^(^4)
 Section modulus (Sx) 0.031 in^(^3)
 Allowable bending moment (Ma) 50.98 ft-lb
 Allowable shear force (Va) 420 lb

Product Data & Ordering Information:

Stock length 10'-0" and 12'-0" long pieces
 Packaging 10 pieces per bundle - 440 pieces per pallet
 Packaging weight 41 lbs/bundle

ASTM & Code Standards:

- AISI North American Specification [NASPEC] S100-12
- ASTM C645 - Standard Specification for Nonstructural Steel Framing Members
- ASTM C955 - Standard Specification for Cold-Formed Steel Structural Framing Members
- ASTM A1003 - Standard Specification for Steel Sheet, Carbon, Metallic- and Nonmetallic-Coated for Cold-Formed Framing Members
- For installation & storage information refer to ASTM C754 or C1007
- SDS & Product Certification Information is available at www.clarkdietrich.com/SupportDocs

Furring / Hat Channel Allowable Ceiling Spans (Deflection: L/360)

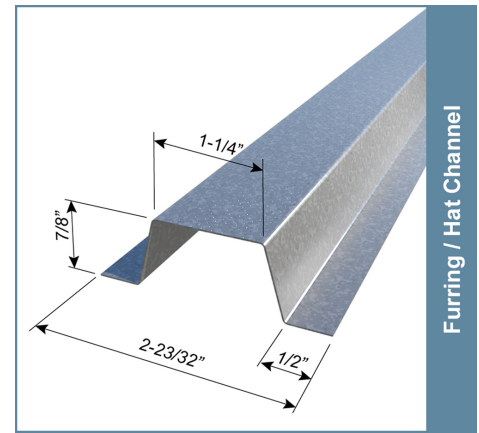
Dead Load Hat Spacing o.c.	4 psf 12"	4 psf 16"	4 psf 24"	6 psf 12"	6 psf 16"	6 psf 24"	13 psf 12"	13 psf 16"	13 psf 24"
Single Span	5'-5"	4'-11"	4'-3"	4'-9"	4'-3"	3'-9"	3'-8"	3'-4"	2'-11"
Multiple Span	6'-8"	6'-1"	5'-3"	5'-10"	5'-3"	4'-7"	4'-6"	4'-1"	3'-7"

For more ceiling span tables and table notes see:
<https://www.clarkdietrich.com/products/drywall-framing/furring-channel-hat-channel>

Sustainability Credits:

For more details and LEED letters contact Technical Services at 888-437-3244 or visit www.clarkdietrich.com/LEED
LEED v4 MR Credit -- Building Product Disclosure and Optimization: EPD (1 point) - Sourcing of Raw Materials (1 point) - Material Ingredients (1 point) - Construction and Demolition Waste Management (up to 2 points) - Innovation Credit (up to 2 points).
LEED 2009 Credit MR 2 & MR 4 -- ClarkDietrich's steel products are 100% recyclable and have a national average recycled content of 34.2% (19.8% post-consumer and 14.4% pre-consumer). If seeking a higher number to meet Credit MR 5, please contact us at (info@clarkdietrich.com / 888-437-3244)

09.22.16 (Non-Structural Metal Framing)



Used in framing applications:

- Furring for walls & ceilings
- Furring out masonry walls
- Framing for drop ceilings assemblies

Project Information

Name:
 Address:

Contractor Information

Name:
 Contact:
 Phone:
 Fax:

Architect Information

Name:
 Contact:
 Phone:
 Fax: