

KATZ™ Bridging Bar

Quick, efficient method to ladder frame between parallel joists or trusses

Katz™ bridging bar is specifically manufactured to ladder frame between parallel framing members and provide for the attachment of the top of the interior nonstructural walls when trusses or floor joists run parallel to the walls. Katz blocks are secured to the floor joists or roof trusses with screws or nails.

- Precut for 16" and 24" O.C. spacing
- Coped flanges for easy installation
- Eliminates wood blocking and labor-intensive notching of metal framing

Product Data & Ordering Information:

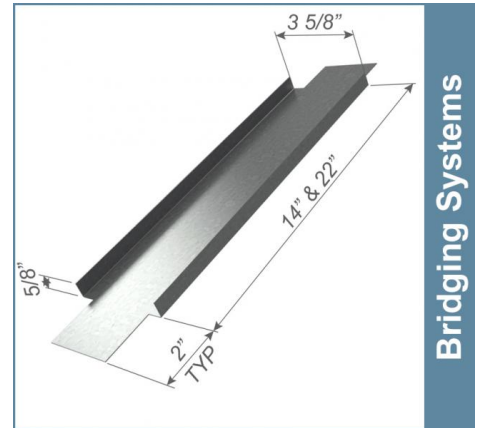
Material: Yield Strength: 33ksi Coating: G40
25ga (18mils), 0.0188" Design Thickness

Dimensions: Length: 16" and 24"
Width: 3-5/8" Standard
Legs: 5/8"

ASTM & Code Standards:

- ASTM A653 / A653M
- Galvanized sheet steel meets or exceeds requirements of A1003
- SDS & Product Certification Information is available at www.clarkdietrich.com/SupportDocs

05.40.00 (Cold-Formed Metal Framing)



Bridging Systems

Used in framing applications:

- Floor joists
- Roof trusses



Sustainability Credits:

For more details and LEED letters contact Technical Services at 888-437-3244 or visit www.clarkdietrich.com/LEED

LEED v4 MR Credit -- Building Product Disclosure and Optimization: EPD (1 point) - Sourcing of Raw Materials (1 point) - Material Ingredients (1 point) - Construction and Demolition Waste Management (up to 2 points) - Innovation Credit (up to 2 points).

LEED 2009 Credit MR 2 & MR 4 -- ClarkDietrich's steel products are 100% recyclable and have a national average recycled content of 34.2% (19.8% post-consumer and 14.4% pre-consumer). If seeking a higher number to meet Credit MR 5, please contact us at (info@clarkdietrich.com / 888-437-3244)

Project Information

Name:
Address:

Contractor Information

Name:
Contact:
Phone:
Fax:

Architect Information

Name:
Contact:
Phone:
Fax: