

RC Deluxe™ Resilient Channel (RCSD) Single Leg resilient channel

Made of 22mil steel (RC Deluxe) is one of the most effective, low-cost methods of improving sound transmission loss through wood and steel frame partitions. RC Deluxe is the preferred resilient channel because of its extra-wide 1-1/2" flange for the installation of the gypsum board. Resilient channel should be installed perpendicular to the framing members with the attachment flange of the RC Deluxe installed along the bottom edge. Channel is pre-punched for screw attachments to wood or steel framing members. Nails are not recommended for attaching RC Deluxe resilient channel to framing members. No more than 7.5 lbs/sf of gypsum panels should be installed to resilient furring channel for wall or ceiling applications. For reference, common 5/8" thick gypsum panels weigh upwards of 2.5 lbs/sf.

Product Data & Ordering Information:

Material: Grade 33ksi min. yield strength
 Coating: G40EQ (G40 or G60 available)
 Thickness: 22mil, 0.0232" Design Thickness, 0.022" Min. Thickness
 Dimensions: 2-5/8" x 1/2" Deep
 Stock lengths: 2-5/8" x 12'-0" long
 Packaging weight: 0.220lbs each or 220lbs/1000ft.

ASTM & Code Standards:

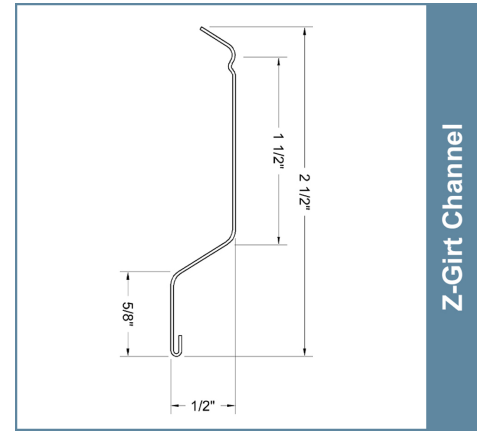
- Resilient channel is produced to meet or exceed ASTM C645
- Galvanized sheet steel meets or exceeds requirements of ASTM A1003
- Complies to UL 263 test standards. See full list of UL® design assemblies in UL R19331.
- For installation & storage information refer to ASTM C754
- SDS & Product Certification Information is available at www.clarkdietrich.com/SupportDocs

RC Deluxe™ STC Sound Assemblies on 3-5/8" ProSTUD®

| Source Room Side | Receiving Room Side on RC Deluxe | ProSTUD 25 (15 mil) | ProSTUD 20 (18mil) | ProSTUD 30mil | ProSTUD 33mil |
|------------------------|----------------------------------|---------------------|--------------------|---------------|---------------|
| (1) layer 5/8" Type X | (1) layer 5/8" Type X | 54 | 53 | 48 | 50 |
| (1) layer 5/8" Type X | (2) layers 5/8" Type X | 59 | 58 | 55 | 56 |
| (2) layers 5/8" Type X | (2) layers 5/8" Type X | 62 | 60 | 58 | 58 |

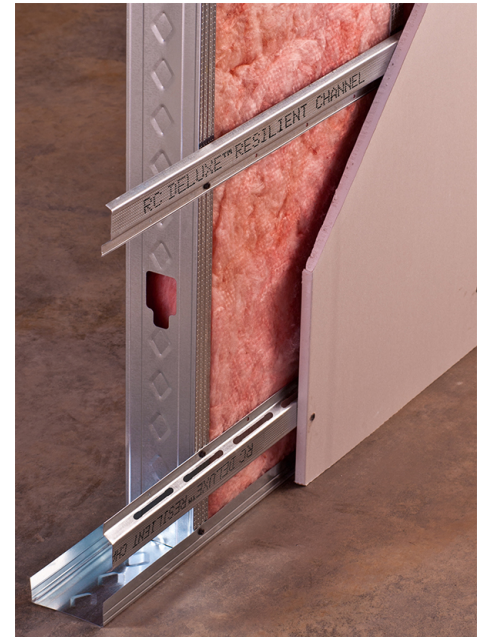
1. Sound Assemblies are certified by Western Electro-Acoustical Laboratories
2. NVLAP Accredited for ASTM E90 & E413, ISO Certified
3. See STC test reports at www.clarkdietrich.com/ProSTUD for detailed requirements of construction of wall assembly.
4. Tables based on stud spacing of 24" o.c. with R-13 unfaced insulation.

09.22.16 (Non-Structural Metal Framing)



Z-Girt Channel

- Reduces sound transmissions
- Pre-punched for screws
- Complies to UL 263
- Ink jetted to assist in proper installation orientation



Sustainability Credits:

For more details and LEED letters contact Technical Services at 888-437-3244 or visit www.clarkdietrich.com/LEED

LEED v4 MR Credit -- Building Product Disclosure and Optimization: EPD (1 point) - Sourcing of Raw Materials (1 point) - Material Ingredients (1 point) - Construction and Demolition Waste Management (up to 2 points) - Innovation Credit (up to 2 points).

LEED 2009 Credit MR 2 & MR 4 -- ClarkDietrich's steel products are 100% recyclable and have a national average recycled content of 34.2% (19.8% post-consumer and 14.4% pre-consumer). If seeking a higher number to meet Credit MR 5, please contact us at (info@clarkdietrich.com / 888-437-3244)

Project Information

Name:
Address:

Contractor Information

Name:
Contact:
Phone:
Fax:

Architect Information

Name:
Contact:
Phone:
Fax: