

HDSC Header Bracket (HDSC)

For use with the HDS® Framing System.

The ClarkDietrich HDS® Framing System provides outstanding bending strength in two directions and superior axial strength. Plus, it reduces material, labor costs and installation time by up to 50%. The superior strength and carrying capacity of the HDS means higher performance with fewer members, like eliminating box beam headers, nesting track and stud for posts and jambs. It also means improved finish quality by eliminating excessive material and screw head buildup around doors and windows. The HDSC header bracket is a unique, prepunched clip that turns curtain-wall header installation from a two-man job into a one-man job.

PRODUCT DIMENSIONS

3-1/2" x 3-1/16" x 2"

3-7/8" x 3-1/16" x 2"

5-7/8" x 3-1/16" x 2"

7-7/8" x 3-1/16" x 2"

MATERIAL SPECIFICATIONS

Gauge: 14 gauge (68mil)

Design Thickness: 0.0713 inches

Coating: G90 (Z275) hot-dipped galvanized coating

Yield Strength: Mill-certified SS Grade 50ksi (340 MPa)

ASTM: A653/A653M

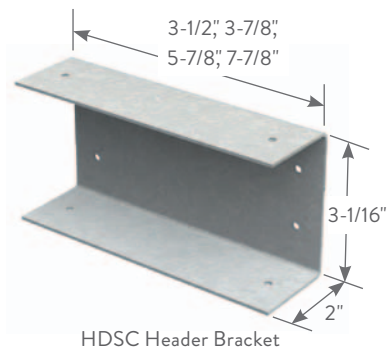
PRODUCT DIMENSIONS

Attach each bracket with (4) #10-16 Buildex or equivalent screws to jamb, and (4) #10-16 Buildex or equivalent screws to header. Screws are driven through the pre-punched holes in the HDS clip.

HDSC HEADER BRACKET

Product code	Thickness			Size	Member width
	Gauge	Mils	Design thickness (in)		
HDSC	14	68	0.0713	3-1/2 x 3-1/16 x 2	3-5/8"
HDSC	14	68	0.0713	3-7/8 x 3-1/16 x 2	4"
HDSC	14	68	0.0713	5-7/8 x 3-1/16 x 2	6"
HDSC	14	68	0.0713	7-7/8 x 3-1/16 x 2	8"

* Sold in pairs.



ALLOWABLE LOADS FOR HDSC HEADER BRACKETS (LBS)

Product code	Member width (in)	Jamb/Head Gauge			F1 (lbs)		F2 (lbs)			
		Gauge	Mils	Fy	Jamb	Head	Jamb	Head		
HDSC	3-5/8" & 4"	20	33	33	560	453	560	449		
		18	43	33	832	673	832	713		
		16	54	33	1172	948	890	890		
				50	1680	1359	890	890		
		14	68	33	1656	1339	890	890		
				50	1680	1359	890	890		
		12	97	33	1680	1359	890	890		
				50	1680	1359	890	890		
		HDSC	6" & 8"	20	33	33	560	501	560	449
				18	43	33	832	744	832	713
16	54			33	1172	1048	1172	1064		
				50	1680	1503	1493	1493		
14	68			33	1656	1481	1493	1493		
				50	1680	1503	1493	1493		
12	97			33	1680	1503	1493	1493		
				50	1680	1503	1493	1493		

Patent Pending

Notes:

- 1 Screws shall be #10-16 Buildex or equivalent, with an ultimate shear capacity per screw of 1400#.
- 2 Table loads are based on each bracket having (4) screws to the jamb, and (4) screws to the header. Screws are driven through the pre-punched holes in the HDS clip.
- 3 Table to be used by qualified engineers only.
- 4 To determine the capacity of any given connection, compare the jamb and head values, and use the minimum. For example, if a 16ga, 50ksi jamb is used with a 3.625" HDS 18ga, 33ksi head, the design value for F1 is the minimum value of 1680# for the jamb and 682# for the head. Therefore, the design value is 682#.
- 5 For F1 and F2 occurring at the same time, use the squared interaction equation: $(f1/F1)^2 + (f2/F2)^2 < 1.0$.

