

Spazzer® Bar Guard™ (SPBG)

Used to secure the Spazzer bar when used in load-bearing applications

The Spazzer Bar Guard™ retainer clip is used to secure the Spazzer bar when used in load-bearing applications. ClarkDietrich TradeReady® Spazzer® 5400 spacer bar is a pre-notched, 16-gauge, galvanized steel spacer and bridging bar, engineered to facilitate the rapid, efficient erection of exterior curtain wall framing, loadbearing walls and high interior partitions constructed of structural studs.

Product Data & Ordering Information:

Material: 50ksi yield strength
 Coating: CP60 per ASTM C9555
 ASTM: A653/A653M, C9555

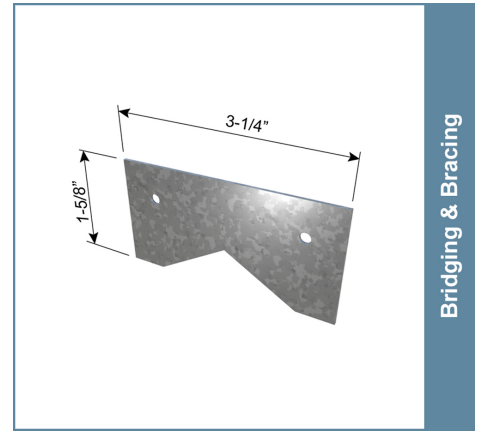
Load-Bearing Wall Installation:

The TradeReady Spazzer 5400 bar is passed through the stud knockouts and rotated 90° into position, engaging each side of the knockout. For load-bearing studs, the Spazzer 5400 bar guard bar retainer clip and the Spazzer snap-in grommet both require screws to keep the bar in place. The TradeReady Spazzer 5400 bar should be installed at a maximum 4' o.c. vertically or per specification, and should not be used in studs over 6" wide.

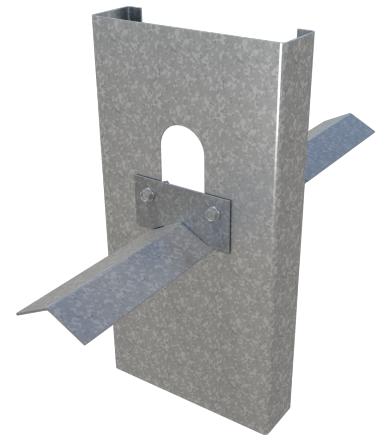
Non-Load-Bearing Wall Installation:

The TradeReady Spazzer 5400 bar is passed through the stud knockouts and rotated 90° into position, engaging each side of the knockout. For 20 gauge studs, the Spazzer 5400 bar guard retainer clip and the Spazzer snap-in grommet both require screws to keep the bar in place. The TradeReady Spazzer 5400 bar should be installed at maximum 5' o.c. vertically or per specification, and should not be used in studs over 6" wide.

05.40.00 (Cold-Formed Metal Framing)



Bridging & Bracing



Sustainability Credits:

For more details and LEED letters contact Technical Services at 888-437-3244 or visit www.clarkdietrich.com/LEED

LEED v4 MR Credit -- Building Product Disclosure and Optimization: EPD (1 point) - Sourcing of Raw Materials (1 point) - Material Ingredients (1 point) - Construction and Demolition Waste Management (up to 2 points) - Innovation Credit (up to 2 points).

LEED 2009 Credit MR 2 & MR 4 -- ClarkDietrich's steel products are 100% recyclable and have a national average recycled content of 34.2% (19.8% post-consumer and 14.4% pre-consumer). If seeking a higher number to meet Credit MR 5, please contact us at (info@clarkdietrich.com / 888-437-3244)

Project Information

Name:
Address:

Contractor Information

Name:
Contact:
Phone:
Fax:

Architect Information

Name:
Contact:
Phone:
Fax: