

## Extended SwiftClip™ LE-Series

Used in rigid attachments of wall studs to the structure.

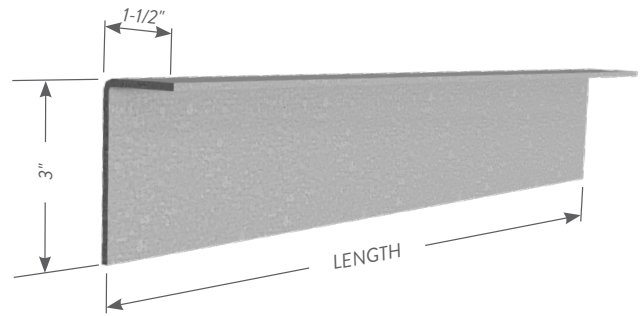
ClarkDietrich's Extended SwiftClip™ LE-Series rigid framing clip is used to attach exterior wall studs to the structure of the building. Designed to resist horizontal and vertical loads, the extended rigid clips install easily with screws, powder-actuated fasteners, or welds. This clip is ideal for all medium and large standoff conditions. These clips are unpunched as the specific application will determine the appropriate number and placement of fasteners.

### INSTALLATION

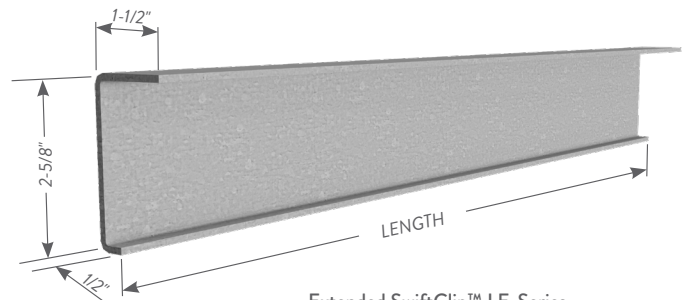
Extended SwiftClip™ LE-Series are attached to cold-formed steel framing members using #10 minimum self-drilling screws. Clips can also be welded to the cold-formed steel framing. Connections to the building frame can be made with powder-actuated fasteners, drill-in concrete anchors or welding. The appropriate type, number and placement of fasteners need to be determined by a design professional and engineer of record.

### PRODUCT DIMENSIONS

- 1-1/2" x 3" legs for up to 20" long clips
- 1-1/2" x 2-5/8" legs + 1/2" return for clips longer than 20"
- All clips: 68 mils (14 gauge) 50ksi, CP90
- LE-Series clips are unpunched
- Lengths available: 16", 18", 20", 24", 30", 36"



Extended SwiftClip™ LE-Series Profile for clips up to 20" long



Extended SwiftClip™ LE-Series Profile for clips longer than 20"

### Extended SwiftClip™ LE-Series

Product code	Thickness		Size (in)	Packaging Pcs./Box
	Mils (Gauge)	Design thickness (in)		
LE6816	68mil (14ga)	0.0713	1-1/2" x 3" x 16"	10
LE6818			1-1/2" x 3" x 18"	
LE6820			1-1/2" x 3" x 20"	
LE6824	68mil (14ga)	0.0713	1-1/2" x 2-5/8" x 24"	10
LE6830			1-1/2" x 2-5/8" x 30"	
LE6836			1-1/2" x 2-5/8" x 36"	

### Extended SwiftClip™ LE-Series Allowable Loads

Product code	Gross Section Properties									
	Area (in <sup>2</sup> )	I <sub>x</sub> (in <sup>4</sup> )	I <sub>y</sub> (in <sup>4</sup> )	S <sub>x</sub> (in <sup>3</sup> )	S <sub>y</sub> (in <sup>3</sup> )	r <sub>x</sub> (in)	r <sub>y</sub> (in)	x(c) (in)	y(c) (in)	
Extended SwiftClip™ < 20in	0.311	0.304	0.056	0.155	0.046	0.988	0.424	0.281	1.04	
Extended SwiftClip™ > 20in	0.311	0.282	0.054	0.176	0.054	0.952	0.418	0.307	1.02	

#### Notes:

- 1 Extended SwiftClip™ LE-Series intended for axial compression and tension loading.
- 2 I<sub>x</sub>, I<sub>y</sub> are the gross moment of inertia about the X-axis and Y-axis, respectively.
- 3 S<sub>x</sub>, S<sub>y</sub> are the section modulus about the X-axis and Y-axis, respectively.
- 4 r<sub>x</sub>, r<sub>y</sub> are the radius of gyration about the X-axis and Y-axis, respectively.
- 5 x(c), y(c) are the distances of the centroid to the X-axis and Y-axis attachment planes.

