

Product category: (TLD) TRAKLOC Deflection Stud
Product name: **250TLD125-24 57ksi G40 - Punched**
2-1/2" TRAKLOC Stud 24 mils (20ga EQ)
Coating: G40
Color coding: Pink

Geometric Properties

Web depth	2.500 in	Weight	0.459 lb/ft
Flange width	1.250 in	Punchout width	0.750 in
Stiffening lip	0.288 in	Punchout length	4.000 in
Design thickness	0.0250 in	Minimum thickness	0.0238 in
Yield stress, Fy	57 ksi		

Gross Section Properties of Full Section, Strong Axis

Cross sectional area (A)	0.135 in ²
Moment of inertia (Ix)	0.139 in ⁴
Radius of gyration (Rx)	1.014 in
Gross moment of inertia (Iy)	0.029 in ⁴
Gross radius of gyration (Ry)	0.464 in

Effective Section Properties, Strong Axis

Effective area (Ae)	0.067 in ²
Moment of inertia for deflection (Ixe)	0.128 in ⁴
Section modulus (Sxe)	0.086 in ³
Allowable bending moment - Local buckling (Mal)	2921 in-lbs
Allowable bending moment - Distortional buckling (Mad)	2680 in-lbs
Allowable shear force in web (Unpunched) (Vag)	596 lb
Allowable shear force in web (Punched) (Vanet)	349 lb

Torsional Properties

St. Venant torsion constant (J x 1000)	0.0281 in ⁴
Warping constant (Cw)	0.040 in ⁶
Distance from shear center to neutral axis (Xo)	-0.992 in
Radii of gyration (Ro)	1.493 in
Torsional flexural constant (Beta)	0.558

Stud/track end reaction (Rx)	53 lbs
Unbraced Length (Lu)	23.8 in

Notes:

- Calculated properties are based on AISI S100-07 w/ S2-10 Supplement and AISI S100-12, North American Specification for Design of Cold-Formed Steel Structural Members.
- Gross and torsional properties are based on full-unreduced cross section of the studs, away from punch-outs.
- The allowable moment based on local buckling (Mal) is based on the compression flange continuously braced.
- The distortional buckling moment (Mad) does not consider the beneficial effect of sheathing to rotational stiffness.
- For deflection calculations, use the effective moment of inertia.
- Stud/Track End Reaction (Rx) is the maximum end reaction (web crippling) capacity based on a minimum bearing length of 1 inch.
- East Coast Punch Pattern: Center of knockouts are 12" from the leading edge then 48" o.c.
- West Coast Punch Pattern: Center of knockouts are 24" from the leading edge then 24" o.c.

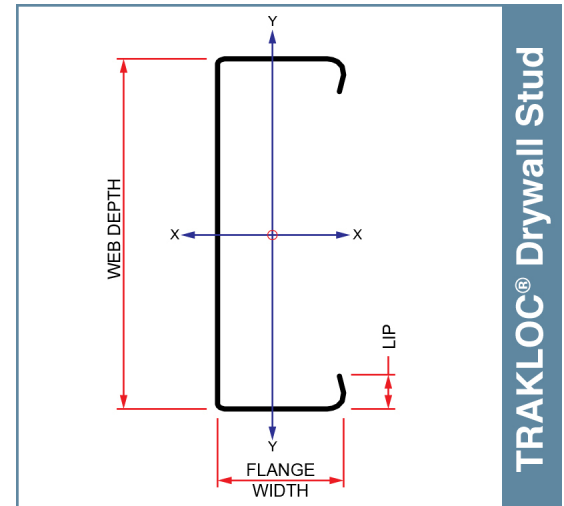
Sustainability Credits:

For more details and LEED letters contact Technical Services at 888-437-3244 or visit www.clarkdietrich.com/LEED

LEED v4 MR Credit -- Building Product Disclosure and Optimization: EPD (1 point) - Sourcing of Raw Materials (1 point) - Material Ingredients (1 point) - Construction and Demolition Waste Management (up to 2 points) - Innovation Credit (up to 2 points).

LEED 2009 Credit MR 2 & MR 4 -- ClarkDietrich's steel products are 100% recyclable and have a national average recycled content of 34.2% (19.8% post-consumer and 14.4% pre-consumer). If seeking a higher number to meet Credit MR 5, please contact us at (info@clarkdietrich.com / 888-437-3244)

09.22.16 (Non-Structural Metal Framing)



ASTM & Code Standards:

- AISI-NASPEC 2007 w/S2-10
- Meets or exceeds ASTM C645
- ICC ESR-1464 - Evaluation Report
- SDS & Product Certification Information available at www.clarkdietrich.com



Project Information

Name:
Address:

Contractor Information

Name:
Contact:
Phone:
Fax:

Architect Information

Name:
Contact:
Phone:
Fax:

Product category: (TLD) TRAKLOC Deflection Stud
Product name: 250TLD125-24 57ksi G40 - Punched
2-1/2" TRAKLOC Stud 24 mils (20ga EQ)

2-1/2" TRAKLOC Stud 24 mils (20ga EQ) Drywall Stud - COMPOSITE Limiting Heights (AC86-2012)

(1 layer) 5/8" Type X Gypsum Board

Spacing (inches)	5 psf			7.5 psf			10 psf		
	L/120	L/240	L/360	L/120	L/240	L/360	L/120	L/240	L/360
12	16'-10"	14'-10"	13'-1"	15'-0"	13'-0"	11'-5"	13'-9"	11'-10"	10'-4"
16	16'-8"	13'-9"	12'-1"	14'-7"	12'-0"	10'-7"	13'-3"	10'-11"	9'-7"
24	14'-10"	12'-3"	10'-9"	13'-0"	10'-8"	9'-3"	11'-9"	9'-8"	8'-2"

Composite Table Notes:

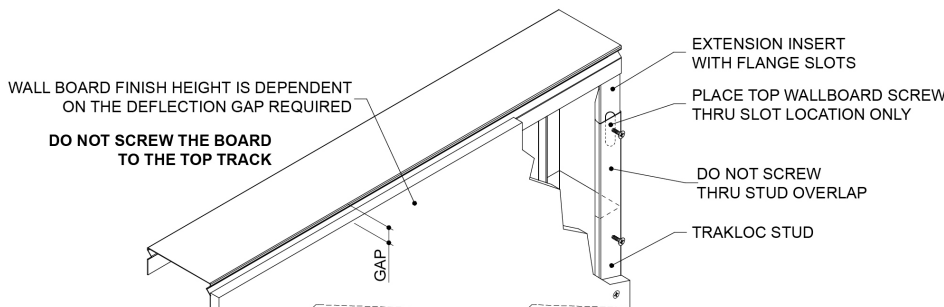
- Allowable composite limiting heights were determined in accordance with ICC-ES AC86-2012.
- Additional composite wall testing and analysis requirements of the SFIA Code Compliance Certification Program were observed.
- In accordance with current building codes and AISI design standards, the 1/3 Stress Increase for strength was not used.
- The composite limiting heights provided in the tables are based on a single layer of 5/8" Type X Gypsum Board complying with ASTM C1396 and from the following manufacturers: American Gypsum, CertainTeed, Georgia Pacific, Continental, National Gypsum or USG.
- The gypsum board must be applied full height in the vertical orientation to each stud flange and installed in accordance with ASTM C754 using minimum No. 6 Type S fine thread Drywall bugle head screws spaced as listed below:
 - Screws spaced a maximum of 16 inch on-center to framing members spaced at 12 inch on-center.
 - Screws spaced a maximum of 12 inch on-center to framing members spaced at 16inch or 24 inch on-center.
 - Screws spaced 16 inch on-center to the top and bottom track.
- No fasteners are required for attaching the stud to the track except as detailed in ASTM C754.
- Stud end bearing must be a minimum of 1 inch.
- The minimum overlap of the TSO (Outer Stud) and TSE (Inner Stud) must be 8 inches and the maximum un-lapped length of the TSE must be 4 inches.
- f: Adjacent to the height value indicates that flexural stress controls the allowable wall height.
- s: Adjacent to the height value indicates that shear/end reaction controls the allowable wall height.

2-1/2" TRAKLOC Stud 24 mils (20ga EQ) Drywall Stud - NON-COMPOSITE Limiting Heights (FULLY BRACED)

Spacing (inches)	5 psf			7.5 psf			10 psf		
	L/120	L/240	L/360	L/120	L/240	L/360	L/120	L/240	L/360
12	15'-0"	11'-11"	10'-5"	14'-9"	11'-8"	10'-3"	13'-4"	10'-8"	9'-3"
16	13'-7"	10'-10"	9'-5"	13'-4"	10'-8"	9'-3"	11'-7"	9'-8"	8'-5"
24	11'-11"	9'-5"	8'-3"	10'-11"	9'-3"	8'-1"	9'-5"	8'-5"	7'-4"

Non-Composite Table Notes:

- Heights are based on AISI S100-07 w/S2-10 Supplement, and AISI S100-12 Specification using steel properties alone.
- Compression flange must be continuously braced.
- End bearing must be 1 inch.
- The minimum overlap of the TSO (Outer Stud) and TSE (Inner Stud) must be 8 inches and the maximum un-lapped length of the TSE must be 4 inches.
- e: Web stiffeners are required at the stud/track connection.



Project Information

Name:
Address:

Contractor Information

Name:
Contact:
Phone:
Fax:

Architect Information

Name:
Contact:
Phone:
Fax: