

U-Channel (CRC)

Product category	3/4" U-Channel / CRC - 16ga
Product name	075U50-54 (50ksi) - Unpunched, 54mils (16ga)
Finish	G40EQ, G40, CP60 or G90
Color coding	Green

Geometric Properties

Web depth	0.750 in
Leg width	0.500 in
Inside corner radius	0.0849 in
Design thickness	0.0566 in
Min. steel thickness	0.0538 in
Yield stress	Fy 50 ksi, *Fy with cold-work, Fya 55.3 ksi
Ultimate, Fu	65 ksi

Gross Section Properties of Full Section, Strong Axis

Cross sectional area (A)	0.087 in ^(^2)
Member weight per foot of length	0.296 lb/ft
Moment of inertia (Ix)	0.007 in ^(^4)
Radius of gyration (Rx)	0.289 in
Gross moment of inertia (Iy)	0.002 in ^(^4)
Gross radius of gyration (Ry)	0.156 in

Effective Section Properties, Strong Axis

Moment of inertia for deflection (Ix)	0.007 in ^(^4)
Section modulus (Sx)	0.019 in ^(^3)
Allowable bending moment (Ma)	0.680 in-k
Allowable shear force (Va)	496 lb

Product Data & Ordering Information:

Length	10'-0" long pieces (Custom length available by special orders)
Packaging	10 pieces per bundle - 240 pieces per pallet
Packaging weight	30 lbs/bundle or 300 lbs/1000 ft

ASTM & Code Standards:

- AISI North American Specification [NASPEC] S100-12
- *Effective properties incorporate the strength increase from the cold work of forming
- Structural framing is produced to meet or exceed ASTM C955
- Galvanized sheet steel meets or exceeds requirements of ASTM A1003
- For installation & storage information refer to ASTM C1007 & C754
- SDS & Product Certification Information is available at www.clarkdietrich.com/SupportDocs

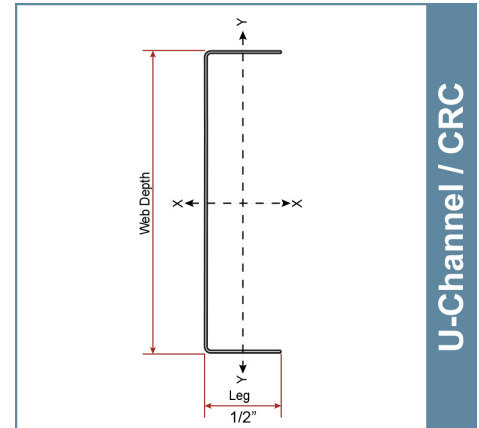
Sustainability Credits:

For more details and LEED letters contact Technical Services at 888-437-3244 or visit www.clarkdietrich.com/LEED

LEED v4 MR Credit -- Building Product Disclosure and Optimization: EPD (1 point) - Sourcing of Raw Materials (1 point) - Material Ingredients (1 point) - Construction and Demolition Waste Management (up to 2 points) - Innovation Credit (up to 2 points).

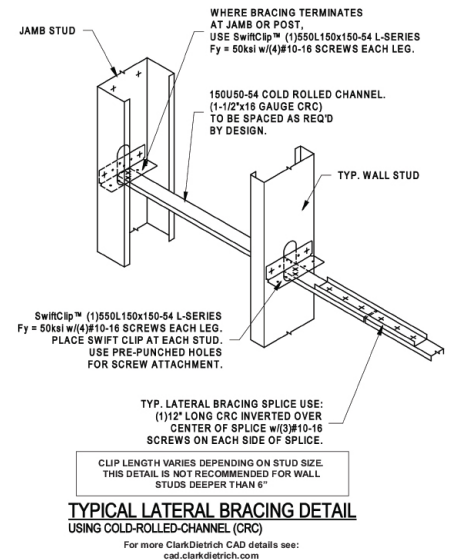
LEED 2009 Credit MR 2 & MR 4 -- ClarkDietrich's steel products are 100% recyclable and have a national average recycled content of 34.2% (19.8% post-consumer and 14.4% pre-consumer). If seeking a higher number to meet Credit MR 5, please contact us at (info@clarkdietrich.com / 888-437-3244)

05.40.00 (Cold-Formed Metal Framing)


U-Channel / CRC

Used in framing applications:

- Lateral bracing in 2-1/2" studs
- Drop down ceilings
- Furring for metal lath systems



Project Information

Name:
Address:

Contractor Information

Name:
Contact:
Phone:
Fax:

Architect Information

Name:
Contact:
Phone:
Fax: