

## Uni-Clip™ End Clip (UCEC) 14 Gauge (68mil) Rigid Connection Clip

ClarkDietrich's Uni-Clip end clip is a universal framing clip used to attach and support numerous rigid framing conditions. The Uni-Clip framing clip has a stiffened corner that provides superior design values. Embossed fastening patterns ensure easy, accurate placement of screws or powder-actuated fasteners. Designed to transfer large horizontal and vertical loads, this clip is ideal for most rigid connections, including shear, tension and two-axis loading.

Clips are attached to cold-formed steel framing members using #10 minimum self-drilling screws driven through the clip holes into the steel framing. Follow the required fastener placement patterns to achieve the allowable load. Connections to the primary building frame can be made with powder-actuated fasteners, screws or welds per design requirement. Follow the required anchor placement pattern to achieve the allowable load.

For allowable loads for multiple connection options, reference the Clip & Connector Catalog or [www.clarkdietrich.com](http://www.clarkdietrich.com) for more information.

### Product Data & Ordering Information:

Material:	Structural Grade 50 Type H (ST50H), 50ksi (340 MPa)
Coating:	G90 (Z275) hot-dipped galvanized coating
Thickness:	14 Gauge (68mil)
	0.0713" Design thickness
	0.0677" Minimum thickness
Dimensions:	3-1/2" x 1-1/2" x 4-1/2" (88.9mm x 38.1mm x 114mm)
Packaging:	25 pieces per bucket
Product Weight:	0.55 lb / piece

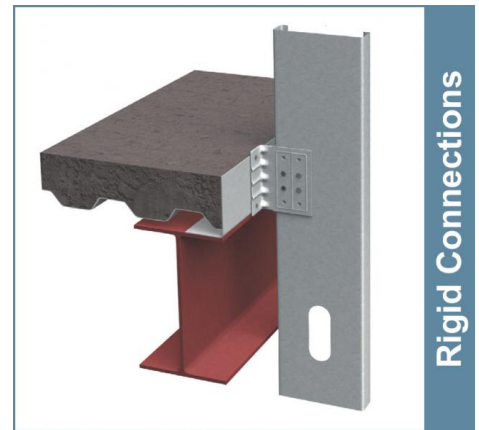
### ASTM & Code Standards:

- Sheet steel meets or exceeds requirements of ASTM A1003
- Galvanized coating meets or exceeds requirements of ASTM A653
- SDS & Product Certification Information available at [www.clarkdietrich.com/SupportDocs](http://www.clarkdietrich.com/SupportDocs)

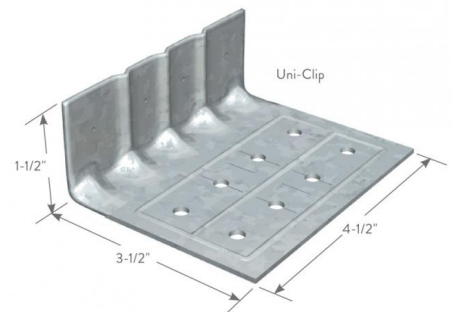
### Alternative Products:

- EasyClip™ D-Series™ Anchor Clip
- EasyClip™ T-Series™ Tall Anchor Clip
- ClarkDietrich Moment Clip (MC Series)

### 05.40.00 (Cold-Formed Metal Framing)



- Designed to transfer large horizontal and vertical loads
- Universal multi-application connector
- Stiffened corners result in superior design values
- Embossed fastening patterns to ensure accurate placement of fasteners



### Sustainability Credits:

For more details and LEED letters contact Technical Services at 888-437-3244 or visit [www.clarkdietrich.com/LEED](http://www.clarkdietrich.com/LEED)

**LEED v4 MR Credit** -- Building Product Disclosure and Optimization: EPD (1 point) - Sourcing of Raw Materials (1 point) - Material Ingredients (1 point) - Construction and Demolition Waste Management (up to 2 points) - Innovation Credit (up to 2 points).

**LEED 2009 Credit MR 2 & MR 4** -- ClarkDietrich's steel products are 100% recyclable and have a national average recycled content of 34.2% (19.8% post-consumer and 14.4% pre-consumer). If seeking a higher number to meet Credit MR 5, please contact us at ([info@clarkdietrich.com](mailto:info@clarkdietrich.com) / 888-437-3244)

#### Project Information

Name:  
Address:

#### Contractor Information

Name:  
Contact:  
Phone:  
Fax:

#### Architect Information

Name:  
Contact:  
Phone:  
Fax: