

## 3-1/2" Weep Screeds

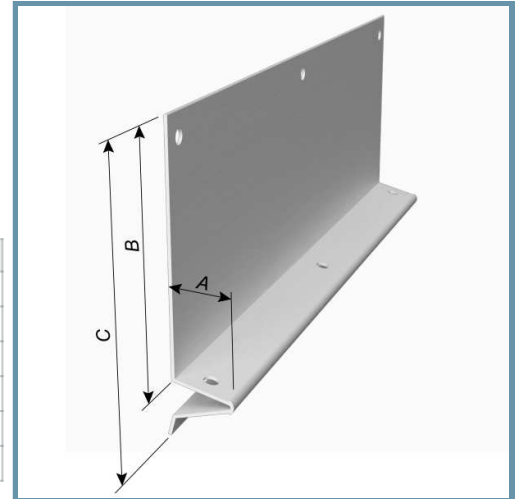
**Designed to direct moisture from stucco and to act as a stop**

Install on frame construction where stucco and foundation walls meet.

The 3-1/2" solid attachment flange makes this style weep screed ASTM C1063, IBC and IRC code compliant.

### Product Data & Ordering Information:

Product code	Ground (A)	Flange (B)	Overall Height (C)	Length	Pcs./Box
WS38-350U	3/8"	3-1/2"	4"	10'	50
WS50-350U	1/2"	3-1/2"	4"	10'	50
WS58-350U	5/8"	3-1/2"	4"	10'	40
WS75-350U	3/4"	3-1/2"	4"	10'	40
WS78-350U	7/8"	3-1/2"	4"	10'	30
WS138-350U	1-3/8"	3-1/2"	4"	10'	30



### Code Approvals & Performance Standards

- [ASTM C1063](#) Standard Specification for Installation of Lathing and Furring to Receive Interior and Exterior Portland Cement-Based Plaster
- [ASTM C1780](#) Standard Practice for Installation Methods for Cement-based Adhered Masonry Veneer
- [ASTM C1861](#) Standard Specification for Lathing and Furring Accessories, and Fasteners, for Interior and Exterior Portland Cement-Based Plaster
- [ASTM D256](#) Standard Test Methods for Determining the Izod Pendulum Impact Resistance of Plastics
- [ASTM D638](#) Standard Test Method for Tensile Properties of Plastics
- [ASTM D648](#) Standard Test Method for Deflection Temperature of Plastics Under Flexural Load in the Edgewise Position
- [ASTM D696](#) Standard Test Method for Coefficient of Linear Thermal Expansion of Plastics Between -30°C and 30°C with a Vitreous Silica Dilatometer
- [ASTM D790](#) Standard Test Methods for Flexural Properties of Unreinforced and Reinforced Plastics and Electrical Insulating Materials
- [ASTM D1784](#) Standard Classification System and Basis for Specification for Rigid Poly(Vinyl Chloride) (PVC) Compounds and Chlorinated Poly(Vinyl Chloride) (CPVC) Compounds
- [ASTM D4216](#) Standard Specification for Rigid Poly(Vinyl Chloride) (PVC) and Related PVC and Chlorinated Poly(Vinyl Chloride) (CPVC) Building Products Compounds
- [SDS Vinyl Corp](#) PVC Compounds

### Storage

All stored materials shall be kept dry. Materials shall be stacked off the ground, supported on a level platform, and protected from the weather.

Made in white or these standard thru-body colors:



Contact ClarkDietrich for pricing and availability

