

### KEMLITE Moldings

PRODUCT CODE: V

#### ONE-PIECE + TWO-PIECE MOLDINGS + RIVETS

#### STANDARD ONE-PIECE PVC MOLDINGS

##### PRODUCT

For professional looking panel installations, and maximum moisture sealing effectiveness, use KEMLITE one-piece, non-staining, PVC moldings.

##### PURPOSE

For use with panel thicknesses 0.075" and 0.09". For 0.12" panels use the 2 piece moldings.

NOTE: Images are not drawn to scale and are depicted in inches

<p><b>DIVISION BAR   DB</b></p>	<p><b>INSIDE CORNER   IC</b></p>
<p><b>OUTSIDE CORNER   OC</b></p>	<p><b>CAP   CP</b></p>
<p><b>INSIDE ANGLE   IA</b></p>	<p><b>OUTSIDE ANGLE   OA</b></p>

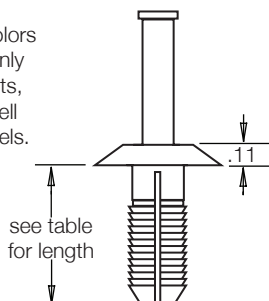
#### STANDARD NYLON DRIVE RIVETS

##### PRODUCT

Non-staining nylon drive rivets in matching panel colors are designed for quick and easy installation using only a hammer and drill. When used with silicone sealants, drive rivets maintain an effective moisture seal as well as providing excellent mechanical fastening for panels.

##### PURPOSE

See table for rivet size and corresponding panel thickness.



PANEL THICKNESS	RIVET LENGTH	AVAILABLE COLORS
0.09" to 0.125" 2.29mm to 3.18mm	0.75" 19.05mm	White, Cream, Beige, Silver
0.09" to 0.125" 2.29mm to 3.18mm	1" 25.40mm	White

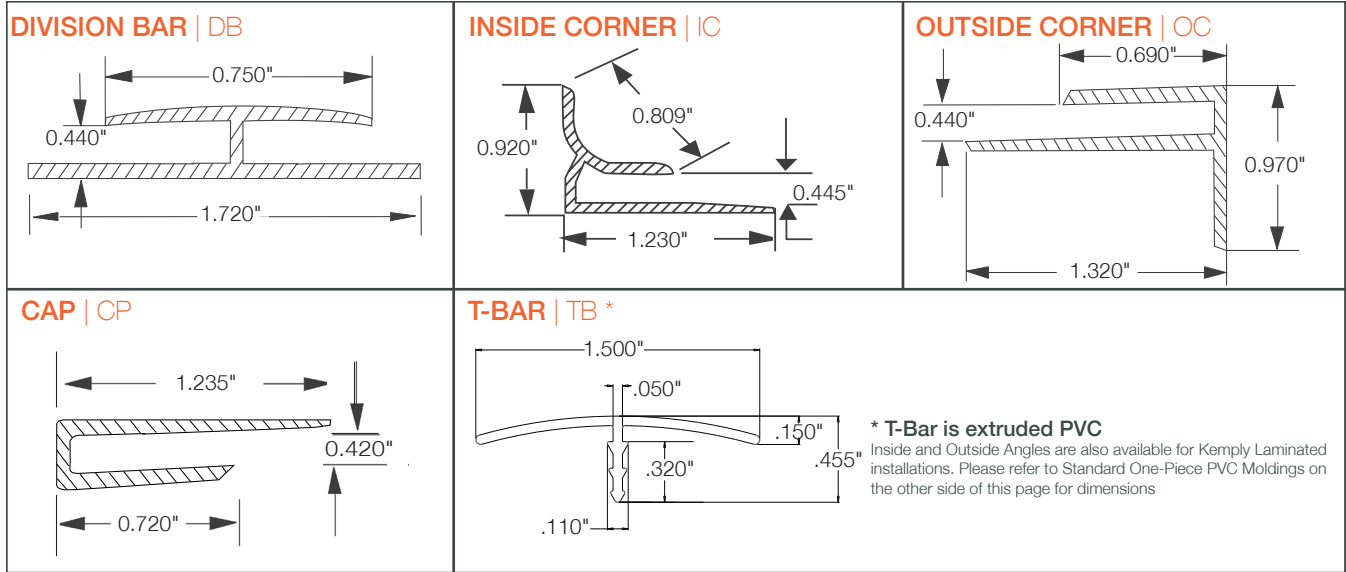
**WIDE ONE-PIECE PVC MOLDINGS FOR LAMINATED PANELS**

**PRODUCT**

For professional looking panel installations, and maximum moisture sealing effectiveness, use Kemlite one-piece, non-staining, pvc moldings.

**PURPOSE**

For use with laminated panel thicknesses up to 0.375".



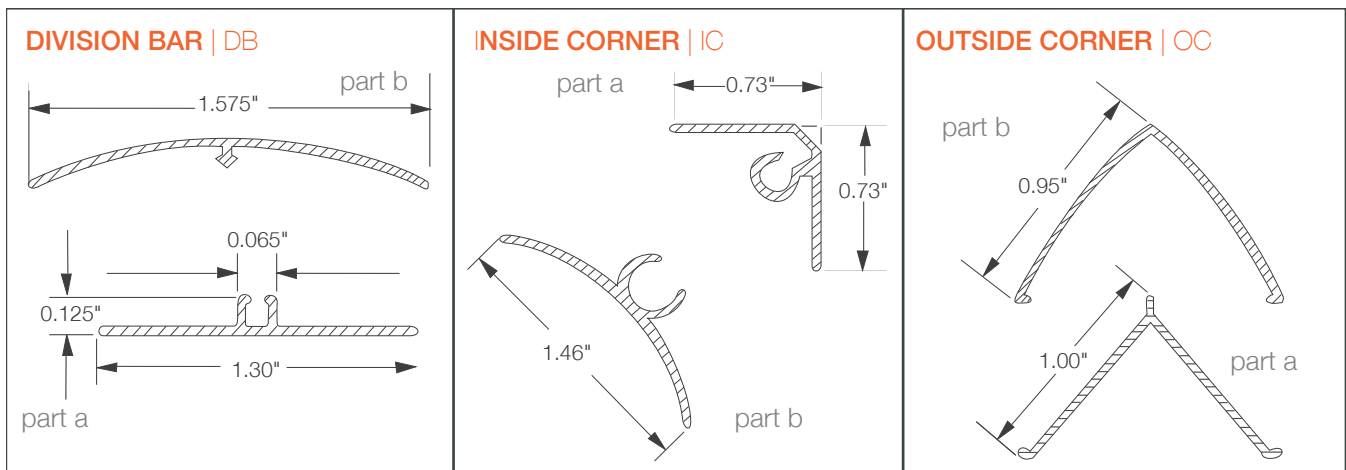
**TWO-PIECE SURFACE MOUNT MOLDINGS FOR LAMINATED PANELS**

**PRODUCT**

For professional looking and convenient installations, use two-piece snap-on trim, non-staining, pvc moldings. Available in white only. Use for all thicknesses.

**PURPOSE**

Improved installation time. Panel and molding can be installed in separate operations. Screws can be used to secure base and panel. Holes must be oversized.



A global leading provider of resilient wall and ceiling coverings. Kemlite® was established in 1954 and the company changed names to Crane Composites in 2007. Crane Composites is headquartered in Channahon, IL and all our products are manufactured in the United States. We work with hundreds of distributors, ensuring our products are easily accessible and readily available to our customers.

THE FOLLOWING ARE TRADEMARKS OF CRANE COMPOSITES, INC. OR A RELATED COMPANY: GLASBORD, KEMLITE, KEMPLY, SURFSEAL, SANIGRID, SILHOUETTE TRIMS AND VARIETEX