

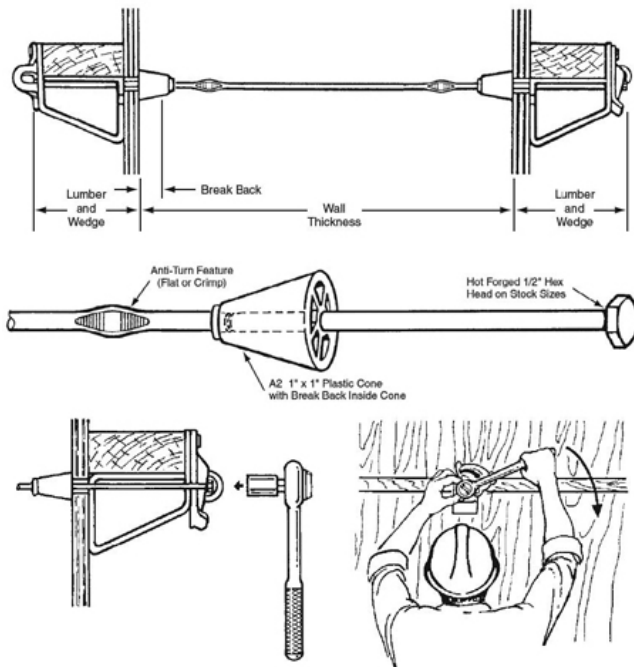
## TECHNICAL DATA SHEET

### DESCRIPTION

Dayton Superior A4H Hex Head Snap Ties are manufactured with hot forged integral 1/2" hex shaped heads.

### APPLICATION

The hex head allows short-end snap ties to be broken back with the formwork still in place.



### FEATURES

- Safe Working Load (SWL) 2,250 lbs
- SWL provides a factor of safety of approximately 2 to 1
- Hex head measures 1/2" across flats
- Standard A4H uses 1" x 1" A2 Plastic Cones to provide a nominal 1" breakback
- Other size cones are available on special order

### INSTALLATION

1. Place a 1/2" six-point socket and ratchet over the head of the tie (A31 Hex Head Snap Tie Socket).
2. Push the bracket eccentric away from the tie head.
3. Standing in front of the tie, hold the socket on the hex head with one hand and turn the ratchet with the other. A 1/4 to 1/2 turn of the ratchet normally breaks the tie end.

### RELATED PRODUCTS

- A2 Plastic Cones
- A3 Heavy Snap Tie
- A31 Wrench Head Snap Tie Socket

### HOW TO ORDER

(1) quantity, (2) name, (3) wall thickness, (4) lumber and wedge dimension (allow 1/2" for wedge take up), (5) break back, (6) type of washer or cone.

Example:

2000 pcs. A4-H Hex Head Snap Tie, 12" wall, 4-3/4" L&W, 1" break back with A2 1"x1" Plastic Cones.

### ORDERING INFORMATION

#### HEX HEAD SNAP TIES- STANDARD - 1" X 1" PLASTIC CONE

Product Code	Description	Weight
15300	6" X 4-3/4" L&W	0.22 LB
15305	7" X 4-3/4" L&W	0.24 LB
15306	8" X 4-3/4" L&W	0.24 LB
15309	9" X 4-3/4" L&W	0.25 LB
15312	10" X 4-3/4" L&W	0.26 LB
15315	11" X 4-3/4" L&W	0.27 LB
15318	12" X 4-3/4" L&W	0.29 LB
15324	14" X 4-3/4" L&W	0.30 LB
15327	15" X 4-3/4" L&W	0.34 LB
15330	16" X 4-3/4" L&W	0.33 LB
15336	18" X 4-3/4" L&W	0.36 LB
15340	20" X 4-3/4" L&W	0.39 LB
15344	24" X 4-3/4" L&W	0.44 LB
15350	30" X 4-3/4" L&W	0.52 LB
15367	6" X 8-1/4" L&W	0.30 LB
15370	8" X 8-1/4" L&W	0.32 LB
15371	9" X 8-1/4" L&W	0.33 LB
15372	10" X 8-1/4" L&W	0.39 LB
15373	11" X 8-1/4" L&W	0.35 LB
15375	12" X 8-1/4" L&W	0.37 LB
15377	14" X 8-1/4" L&W	0.39 LB
15378	15" X 8-1/4" L&W	0.42 LB
15379	16" X 8-1/4" L&W	0.42 LB
15381	18" X 8-1/4" L&W	0.45 LB
15383	20" X 8-1/4" L&W	0.45 LB
15387	24" X 8-1/4" L&W	0.50 LB
15393	30" X 8-1/4" L&W	0.58 LB

#### HEX HEAD SNAP TIES- STANDARD - 1" X 1" PLASTIC

##### WASHER

Product Code	Description	Weight
700051	6" X 4-3/4" L&W	LB
700052	8" X 4-3/4" L&W	LB
700053	10" X 4-3/4" L&W	LB
700054	12" X 4-3/4" L&W	LB
700058	20" X 4-3/4" L&W	LB
700062	6" X 4-3/4" L&W	LB
700063	8" X 4-3/4" L&W	LB
700064	10" X 4-3/4" L&W	LB
700067	18" X 8-1/4" L&W	LB

**TECHNICAL DATA SHEET****MANUFACTURER**

Dayton Superior Corporation  
1125 Byers Road  
Miamisburg, OH 45342  
Customer Service: 888-977-9600  
Technical Services: 877-266-7732  
Website: [www.daytonsuperior.com](http://www.daytonsuperior.com)

**WARRANTY (ACCESSORIES)**

Limited Warranty. Dayton warrants, for a period of 60 days from the date of shipment (three years from the date of shipment in the case of formwork, excluding any consumable Products included with such formwork), that Products and any associated application drawings and engineering services provided by Dayton ("Ancillary Services") will be free from defects in material and workmanship and, in the case of custom designed formwork, that the formwork will meet the specifications set forth in the design drawings approved by Dayton and Customer. Any claim under this warranty must be made in writing within such warranty period. If any Product and/or Ancillary Service covered by a timely claim are found to be defective, Dayton will, within a reasonable time, make any necessary repairs or corrections or, at Dayton's option, replace the Product. Unless pre-authorized by Dayton in writing, Dayton will not accept any charges for correcting defects or accept the return of any Product. This warranty will not apply to any Products that have been subjected to misuse, neglect, storage damage, misapplication, accident or any other damage caused by any person other than Dayton, or that have not been maintained in accordance with Dayton's specifications. THIS LIMITED WARRANTY IS IN LIEU OF ALL OTHER WARRANTIES AS TO THE PRODUCTS AND ANCILLARY SERVICES. DAYTON MAKES NO OTHER WARRANTIES OR GUARANTEES, EXPRESS OR IMPLIED, INCLUDING ANY WARRANTY OF MERCHANTABILITY, FITNESS FOR A PARTICULAR PURPOSE OR OTHERWISE. THE REMEDIES SET FORTH IN THIS SECTION ARE CUSTOMER'S EXCLUSIVE REMEDY FOR BREACH OF WARRANTY.