

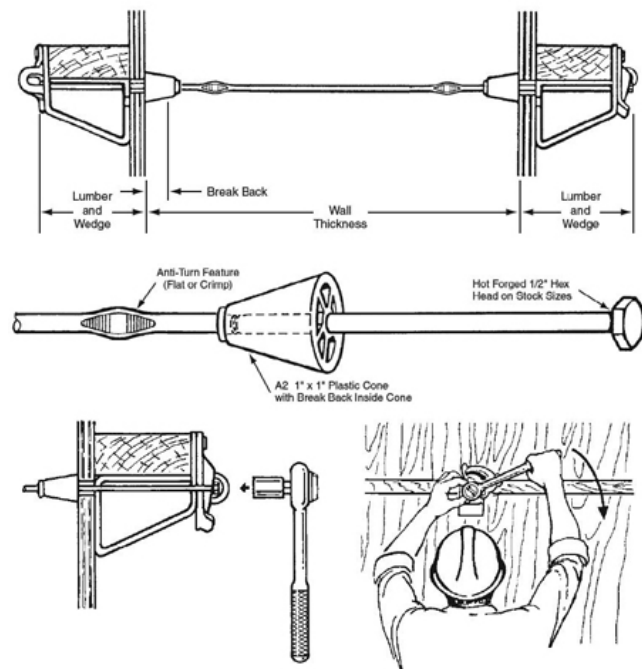
## TECHNICAL DATA SHEET

### DESCRIPTION

Dayton Superior A4H Hex Head Snap Ties are manufactured with hot forged integral 1/2" (1.27mm) hex shaped heads.

### APPLICATION

The hex head allows short-end snap ties to be broken back with the formwork still in place.



### FEATURES

- Safe Working Load (SWL) 2,250 lbs / 10 KN
- SWL provides a factor of safety of approximately 2 to 1
- Hex head measures 1/2" (1.27mm) across flats
- Standard A4H uses 1" x 1" (2.54mm x 2.54mm) A2 Plastic Cones to provide a nominal 1" (2.54mm) breakback
- Other size cones are available on special order

### INSTALLATION

1. Place a 1/2" six-point socket and ratchet over the head of the tie (A31 Hex Head Snap Tie Socket).
2. Push the bracket eccentric away from the tie head.
3. Standing in front of the tie, hold the socket on the hex head with one hand and turn the ratchet with the other. A 1/4 to 1/2 turn of the ratchet normally breaks the tie end.

### RELATED PRODUCTS

- A2 Plastic Cones
- A3 Heavy Snap Tie
- A31 Wrench Head Snap Tie Socket

### ORDERING INFORMATION

#### SNAP TIES - W/ 1" X 1" PLASTIC CONES

Product Code	Description	Weight
15300	A4H HEX STD - 6" X 4-3/4" L&W - W/ 1" X 1" PLASTIC CONE	0.219 LB
700052	A4H HEX STD - 8" X 4-3/4" L&W - W/ 1" X 1" PLASTIC WASHER	0.258 LB
15306	A4H HEX STD - 8" X 4-3/4" L&W - W/ 1" X 1" PLASTIC CONE	0.240 LB
15309	A4H HEX STD - 9" X 4-3/4" L&W - W/ 1" X 1" PLASTIC CONE	0.250 LB
15312	A4H HEX STD - 10" X 4-3/4" L&W - W/ 1" X 1" PLASTIC CONE	0.260 LB
15315	A4H HEX STD - 11" X 4-3/4" L&W - W/ 1" X 1" PLASTIC CONE	0.270 LB
15318	A4H HEX STD - 12" X 4-3/4" L&W - W/ 1" X 1" PLASTIC CONE	0.290 LB
15324	A4H HEX STD - 14" X 4-3/4" L&W - W/ 1" X 1" PLASTIC CONE	0.300 LB
15327	A4H HEX STD - 15" X 4-3/4" L&W - W/ 1" X 1" PLASTIC CONE	0.337 LB
15330	A4H HEX STD - 16" X 4-3/4" L&W - W/ 1" X 1" PLASTIC CONE	0.330 LB
15336	A4H HEX STD - 18" X 4-3/4" L&W - W/ 1" X 1" PLASTIC CONE	0.355 LB
15340	A4H HEX STD - 20" X 4-3/4" L&W - W/ 1" X 1" PLASTIC CONE	0.393 LB
15344	A4H HEX STD - 24" X 4-3/4" L&W - W/ 1" X 1" PLASTIC CONE	0.440 LB
15350	A4H HEX STD - 30" X 4-3/4" L&W - W/ 1" X 1" PLASTIC CONE	0.520 LB
15367	A4H HEX STD - 6" X 8-1/4" L&W - W/ 1" X 1" PLASTIC CONE	0.300 LB
15370	A4H HEX STD - 8" X 8-1/4" L&W - W/ 1" X 1" PLASTIC CONE	0.322 LB
15371	A4H HEX STD - 9" X 8-1/4" L&W - W/ 1" X 1" PLASTIC CONE	0.333 LB
15372	A4H HEX STD - 10" X 8-1/4" L&W - W/ 1" X 1" PLASTIC CONE	0.393 LB
15375	A4H HEX STD - 12" X 8-1/4" L&W - W/ 1" X 1" PLASTIC CONE	0.369 LB
15377	A4H HEX STD - 14" X 8-1/4" L&W - W/ 1" X 1" PLASTIC CONE	0.392 LB
15378	A4H HEX STD - 15" X 8-1/4" L&W - W/ 1" X 1" PLASTIC CONE	0.419 LB
15379	A4H HEX STD - 16" X 8-1/4" L&W - W/ 1" X 1" PLASTIC CONE	0.415 LB
15381	A4H HEX STD - 18" X 8-1/4" L&W - W/ 1" X 1" PLASTIC CONE	0.450 LB
15383	A4H HEX STD - 20" X 8-1/4" L&W - W/ 1" X 1" PLASTIC CONE	0.450 LB
15387	A4H HEX STD - 24" X 8-1/4" L&W - W/ 1" X 1" PLASTIC CONE	0.500 LB
15393	A4H HEX STD - 30" X 8-1/4" L&W - W/ 1" X 1" PLASTIC CONE	0.580 LB

**TECHNICAL DATA SHEET****MANUFACTURER**

Dayton Superior Corporation  
1125 Byers Road  
Miamisburg, OH 45342  
Customer Service: 888-977-9600  
Technical Services: 877-266-7732  
Website: [www.daytonsuperior.com](http://www.daytonsuperior.com)

**WARRANTY (ACCESSORIES)**

Limited Warranty. Dayton warrants, for a period of 60 days from the date of shipment (three years from the date of shipment in the case of formwork, excluding any consumable Products included with such formwork), that Products and any associated application drawings and engineering services provided by Dayton ("Ancillary Services") will be free from defects in material and workmanship and, in the case of custom designed formwork, that the formwork will meet the specifications set forth in the design drawings approved by Dayton and Customer. Any claim under this warranty must be made in writing within such warranty period. If any Product and/or Ancillary Service covered by a timely claim are found to be defective, Dayton will, within a reasonable time, make any necessary repairs or corrections or, at Dayton's option, replace the Product. Unless pre-authorized by Dayton in writing, Dayton will not accept any charges for correcting defects or accept the return of any Product. This warranty will not apply to any Products that have been subjected to misuse, neglect, storage damage, misapplication, accident or any other damage caused by any person other than Dayton, or that have not been maintained in accordance with Dayton's specifications. THIS LIMITED WARRANTY IS IN LIEU OF ALL OTHER WARRANTIES AS TO THE PRODUCTS AND ANCILLARY SERVICES. DAYTON MAKES NO OTHER WARRANTIES OR GUARANTEES, EXPRESS OR IMPLIED, INCLUDING ANY WARRANTY OF MERCHANTABILITY, FITNESS FOR A PARTICULAR PURPOSE OR OTHERWISE. THE REMEDIES SET FORTH IN THIS SECTION ARE CUSTOMER'S EXCLUSIVE REMEDY FOR BREACH OF WARRANTY.