

C25 Pres-Steel Adjustable Half Hanger

The C25 Pres-Steel Adjustable Half Hanger is available in three types:

- Type 1 Hanger – 90° end clip
- Type 2 Hanger – 90° end clip with 1" haunch
- Type 7 Hanger – 90° end clip with 1-1/2" haunch

Type 8 Hanger – 15° end clip

Each half hanger consists of a 1/2" end clip welded to a length of 1/2" diameter Coil Rod, Stirrup Clips and 1/2" Coil Nuts.

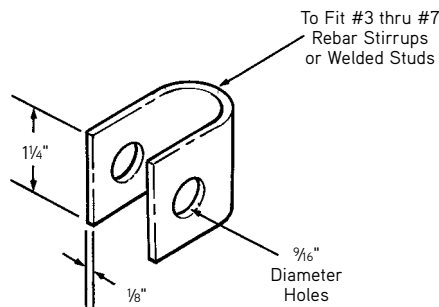
These half hangers are used to support interior deck formwork when one-sided forming is required and welding to the shear connectors or flange is not permitted by the DOT.

Stirrup Clips are available in #3, #4, #5, #6 and #7 rebar sizes or 3/8", 1/2", 5/8", 3/4" and 7/8" stud diameters as required.

C25 Selection Chart

Type	Safe Working Load		Maximum Haunch	Standard Length
	One Clip	Two Clips		
1	3,000 lbs.	3,000 lbs.	0"	8"
2	2,000 lbs.	2,375 lbs.	1"	8"
7	2,000 lbs.	2,375 lbs.	1-1/2"	8"
8	2,000 lbs.	3,000 lbs.	0"	8"

SWL provides a safety factor of approximately 2 to 1



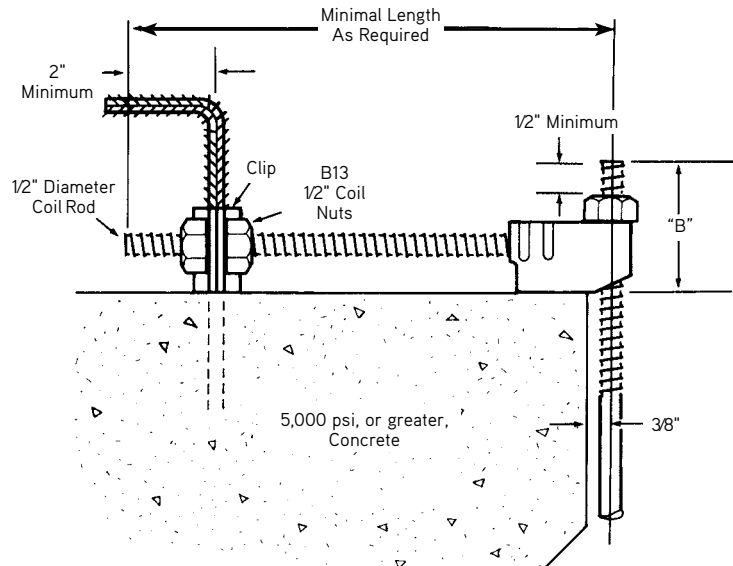
Stirrup Clip Detail

To Order:

Specify: (1) quantity, (2) name, (3) type, (4) Length, (5) number of clips and (6) clip size.

Example:

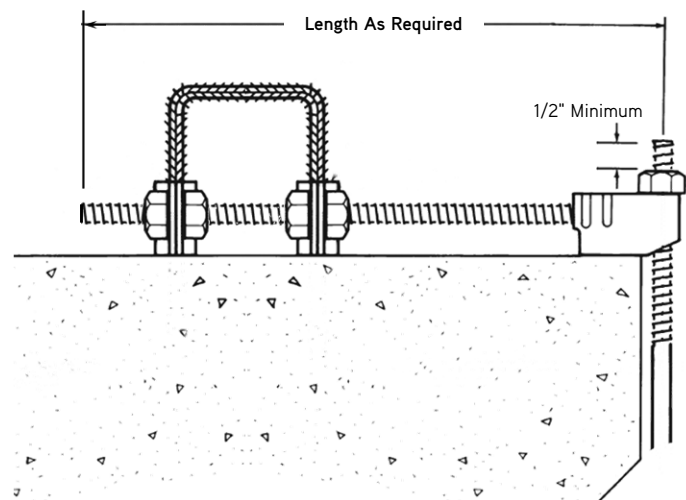
125 pcs. C25 Type 2 Pres-Steel Adjustable Half Hanger, 12" long with 2 clips for #6 Rebar.



Type 1 Hanger with One Clip

SAFETY NOTE:

In order to develop the safe working loads listed, two Coil Nuts must compress each Stirrup Clip securely to the rebar stirrup or shear stud. Failure to accomplish a secure connection will greatly reduce the safe working load of the hanger.



Type 1 Hanger with Two Clips