

C25 Pres-Steel Adjustable Half Hanger

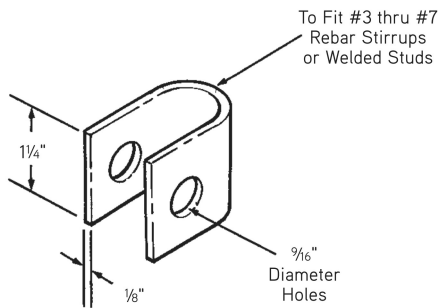
The C25 Pres-Steel Adjustable Half Hanger is available in three types:

- Type 1 Hanger – 90° end clip
- Type 2 Hanger – 90° end clip with 1" haunch
- Type 7 Hanger – 90° end clip with 1-1/2" haunch
- Type 8 Hanger – 15° end clip

Each half hanger consists of a 1/2" end clip welded to a length of 1/2" diameter Coil Rod, Stirrup Clips and 1/2" Coil Nuts.

These half hangers are used to support interior deck formwork when one-sided forming is required and welding to the shear connectors or flange is not permitted by the DOT.

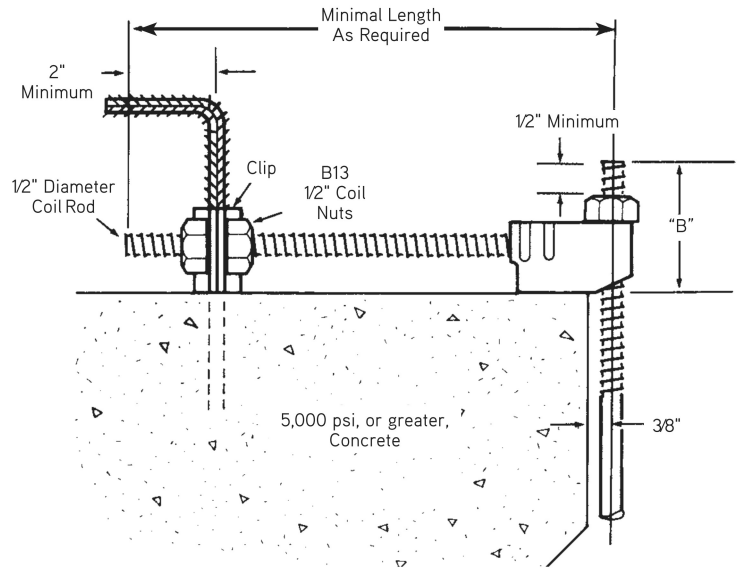
Stirrup Clips are available in #3, #4, #5, #6 and #7 rebar sizes or 3/8", 1/2", 5/8", 3/4" and 7/8" stud diameters as required.



Stirrup Clip Detail

To Order:
Specify: (1) quantity, (2) name, (3) type, (4) Length, (5) number of clips and (6) clip size.

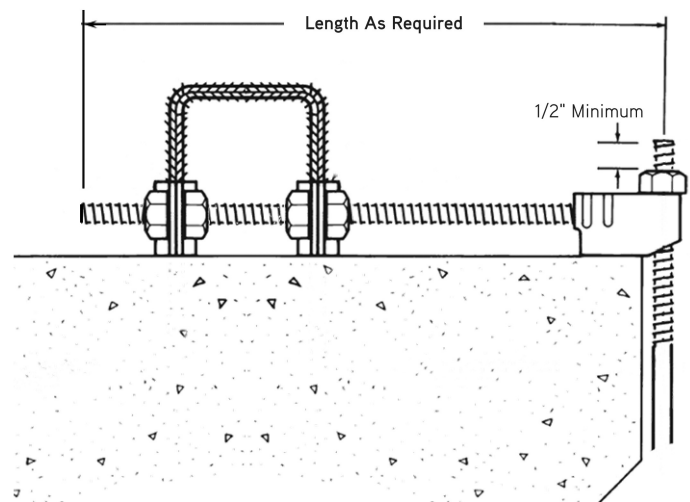
Example:
125 pcs. C25 Type 2 Pres-Steel Adjustable Half Hanger, 12" long with 2 clips for #6 Rebar.



Type 1 Hanger with One Clip

SAFETY NOTE:

In order to develop the safe working loads listed, two Coil Nuts must compress each Stirrup Clip securely to the rebar stirrup or shear stud. Failure to accomplish a secure connection will greatly reduce the safe working load of the hanger.



Type 1 Hanger with Two Clips

C25 Pres-Steel Adjustable Half Hanger

Hanger	Image	Capacity (SWL)	Application	Interior/Exterior	Haunch Min/Max	Bracket Compatibility
C25 TYPE 1		3,000 LBS 1-CLIP 3,000 LBS 2-CLIPS	STEEL & CONCRETE 5,000 PSI MIN	Interior	-	Any
C25 TYPE 1A		3,000 LBS 1-CLIP 3,000 LBS 2-CLIPS	STEEL & CONCRETE 5,000 PSI MIN	Exterior	-	C49
C25 TYPE 2		2,000 LBS 1-CLIP 2,375 LBS 2-CLIPS	STEEL & CONCRETE 5,000 PSI MIN	Interior	1" Max	Any
C25 TYPE 7		2,000 LBS 1-CLIP 2,375 LBS 2-CLIPS	STEEL & CONCRETE 5,000 PSI MIN	Interior	1.5" Max	Any
C25 TYPE 8		2,000 LBS 1-CLIP 3,000 LBS 2-CLIPS	STEEL & CONCRETE 5,000 PSI MIN	Interior	-	Any
C25 HD 45°		6,000 LBS 2-CLIPS	STEEL & CONCRETE 5,000 PSI MIN	Exterior	-	C49
C25 HD 90°		6,000 LBS 2-CLIPS	STEEL & CONCRETE 5,000 PSI MIN	Interior	-	Any

C68 90° Type 4-B Ty-Down Half Hanger

This is an excellent hanger for applications requiring a heavy duty interior half hanger. Normally supplied hot dipped galvanized after fabrication as a portion of the hanger will normally not be encased in the concrete deck leaving the exposed portion to rapidly corrode if not protected with a heavy zinc coating.

This hanger is rated with a safe working load of 6,000 lbs. and is designed to work with 1/2" diameter coil bolt.

SWL provides approximately a 2 to 1 factor of safety.

To Order:

Specify: (1) quantity, (2) name, (3) type, (4) Length, (5) flange thickness and (6) finish.

Example:

175 pcs. C68 Type 4 Ty-Down Half Hanger, for 14" flange width x 1-1/8" thick, HDG.

