

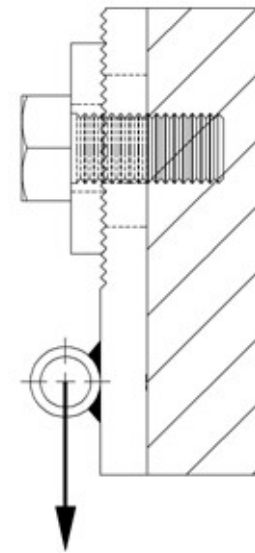
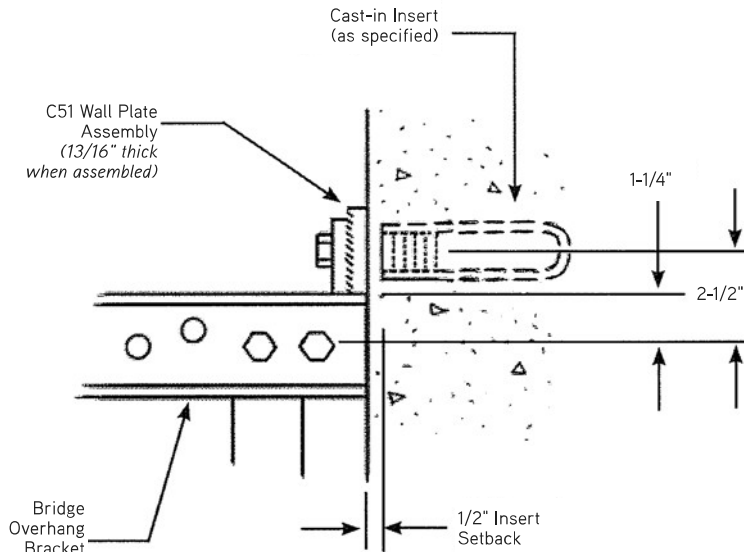
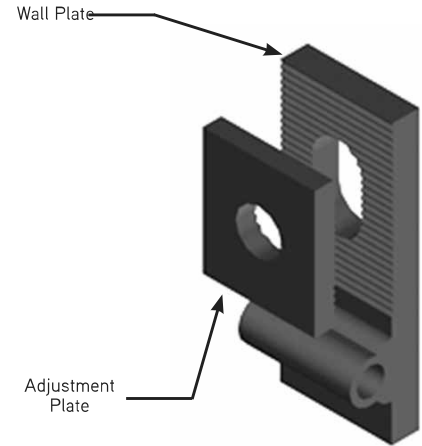
C51 Wall Plate Assembly

The C51 Wall Plate Assembly is an optional device that allows direct attachment of either a C49, C49D or C49JR Bridge Overhang Bracket to an insert that has been cast into a precast concrete bridge beam. The C51 assembly consists of two parts, the Wall Plate and the Washer. Both parts are manufactured with machined grooved surface on their face that allows for 13/16" vertical adjustment of the bracket.

To attach the Wall Plate to a bracket, remove the rear 1/2" NC bolt, nut and spacer tube from the horizontal member of the bridge overhang and replace the spacer with the C51 Wall Plate. Reuse the 1/2" NC bolt and nut to complete the installation of the wall plate to the bracket.

The C51 assembly, depending on type of insert used, is designed to accept either a 3/4"-10 NC or 3/4" - 4-1/2 coil threaded bolt to fasten the Wall Plate Assembly to the insert.

When ready to remove the bridge overhang bracket and C51 Wall Plate Assembly for reuse, it is easiest to remove the 1/2" NC bolt freeing the bracket from the Wall Plate assembly, remove the bracket and then unbolt and remove the Wall Plate Assembly from the face of the precast member.



To Order:
Specify: (1) quantity, (2) name.

Example:
155 pcs. C51 Wall Plate Assembly.

SAFETY NOTE:
Do not use CSI Wall Plate without the Adjustment Plate.

Wall Plate Safe Working Load
9,000 lbs. at 2 to 1 factor of safety.