

## C52 2x4 Guard Rail Receptacle and C54 Bridge Overhang Bracket Extender

The C52 Guard Rail Receptacle is designed to allow the easy installation of an OSHA required lumber guard rail post on the exterior formwork of a bridge deck.

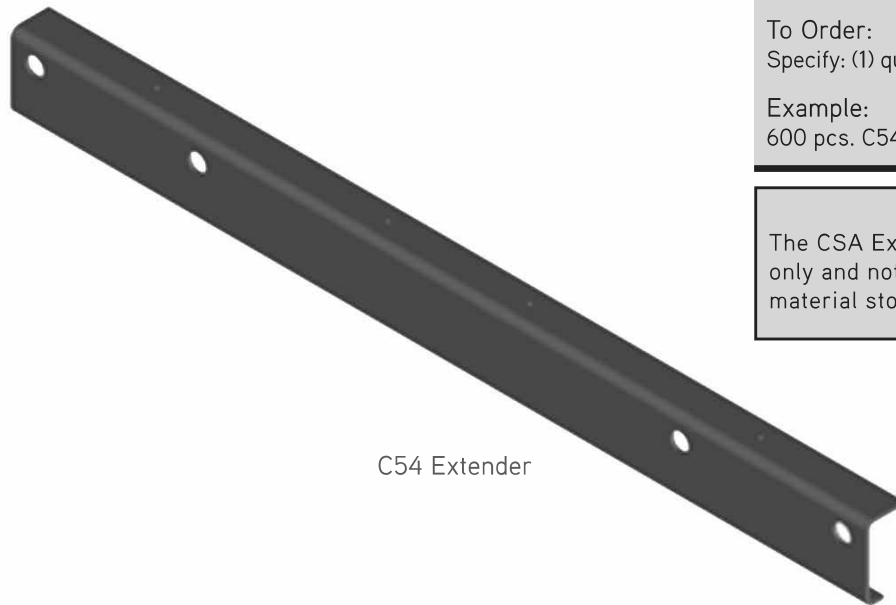
The C52 receptacle bolts securely to either the C49 Bridge Overhang bracket and/or C54 extender and accepts 2x4 guard rail posts. Each C52 receptacle ships with two 1/2"-13 NCx3" long (ASTM A325 or SAE 429 Grade 5) electrogalvanized bolts and nuts which are used to attach the guard rail receptacle to the horizontal member of a C49, C49C, C49D, C49S or C49JR Bridge Overhang Bracket.

The C54 Bridge Overhang Bracket Extender attaches to one side of the outboard end of the overhang bracket's horizontal member to extend the usable working surface of the bracket. The C54 Extender and C52 Guard Rail Receptacle are used when the overhang formwork is required to extend beyond the end of the horizontal member of the bridge overhang bracket. The extender is used to support walkway loads only. Follow spacing requirements as outlined by OSHA and other local agencies. One C54 Extender per bracket is required and fits all C49 style brackets.

Each C54 Bridge Overhang Bracket Extender ships with two 1/2"-13 NC x 1" long (ASTM A325 or SAE 429 Grade 5) electro-galvanized bolts and nuts which are used to attach the C52 receptacle to the C54 extender. The 1/2"-13 NC x 3" long bolts (shipped with the C52 receptacle) are used to attach the extender to the horizontal member of the bridge overhang bracket.



C52 Guard Rail Receptacle



C54 Extender

**To Order:**  
Specify: (1) quantity, (2) name.

**Example:**  
600 pcs. C54 Bridge Overhang Bracket Extender.

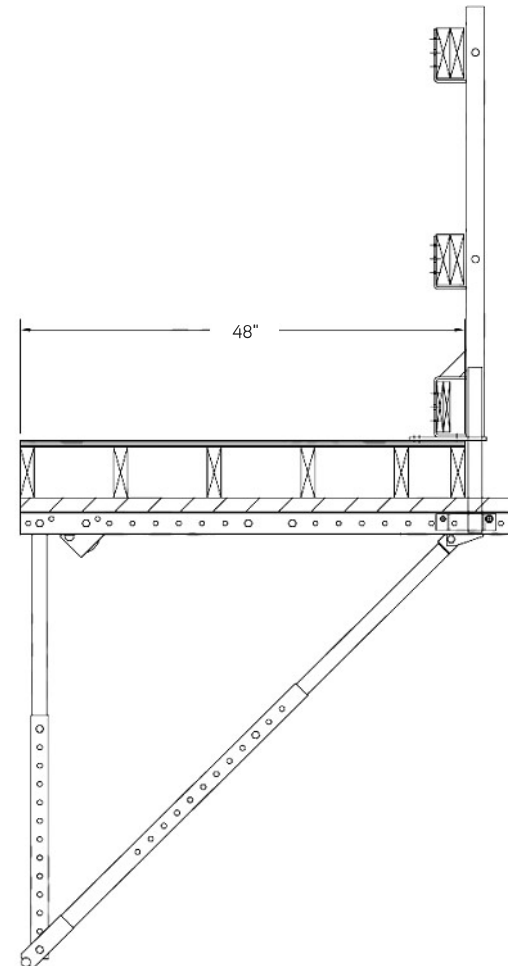
**SAFETY NOTE:**  
The CSA Extender is for supporting walkway loads only and not intended for concrete, screed or material storage loads.

## C52P Guard Rail Speed Bracket Assembly

The C52P Guard Rail Speed Bracket Assembly is designed for fast and easy attachment to the C49 Bridge Overhang Bracket and C54 Bridge Overhang Exterior Bracket Extender. The C52P's Speed Bracket bolts securely to the C49 Bridge Overhang Bracket and provides a base to simply install the Guard Rail Post. The Guard Rail Post has a nail down feature to prevent uplift. The C52P is compatible with lumber or cable railings. The Guard Rail Assembly weighs a conveniently light 15.6 lbs.

**NOTE:** C52P Guard Rail Speed Bracket Assembly meets all OSHA requirements.

**WARNING:** Guard Rail Speed Bracket Assembly must be secured to deck with proper fasteners to ensure complete safety.



C52P Guard Rail Speed Bracket Assembly

To Order:

Specify: (1) quantity, (2) name.

Example:

150 pcs. C52P Guard Rail Speed Bracket Assembly.

Bridge Overhang Brackets