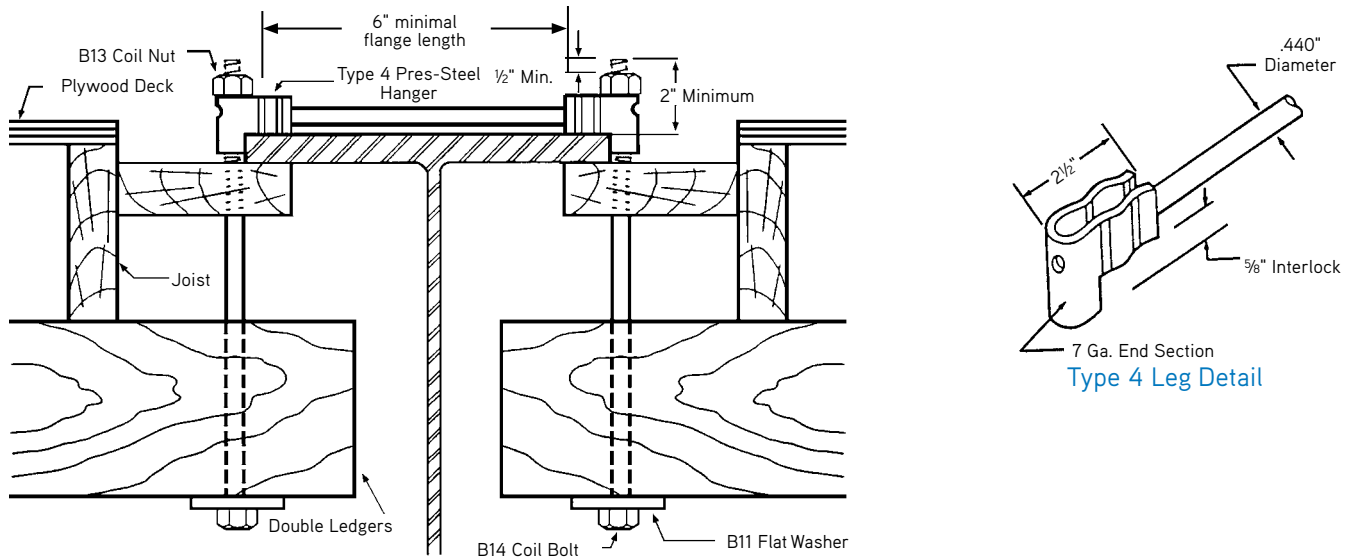


C60 Type 4 Pres-Steel Hanger

The C60 Type 4 Pres-Steel Hanger is a heavy duty hanger designed to be used when there is a fillet next to the beam flange. The hanger is manufactured using two 90° end sections that are electrically resistance welded to a .440" diameter wire strut. The end clips accept 1/2" diameter coil rod and/or bolts which along with the coil nuts and washers support the interior formwork loads.

Due to the Interlock design of this hanger, it is very important that the user is aware of the exact flange widths prior to ordering hangers. Once on the jobsite, if the flange width is too wide, not allowing the hanger to be positioned on the flange as shown below, the hanger may be used with the Interlock ends pointing up instead of down.

The Interlock portion of the End Clip provides a reaction point that aids in reducing bending of the support bolts when hangers are used on extremely wide flanges.



Safe Working Load
6,000 lbs. per Side

SWL provides a factor of safety of approximately 2 to 1.

WARNING: Hangers must be equally loaded on both sides.

To Order:
Specify: (1) quantity, (2) name, (3) flange width.

Example:
1,234 pcs. C60 Type 4 Pres-Steel Hanger for 12" flange

C60 Type 5 Pres-Steel Hanger

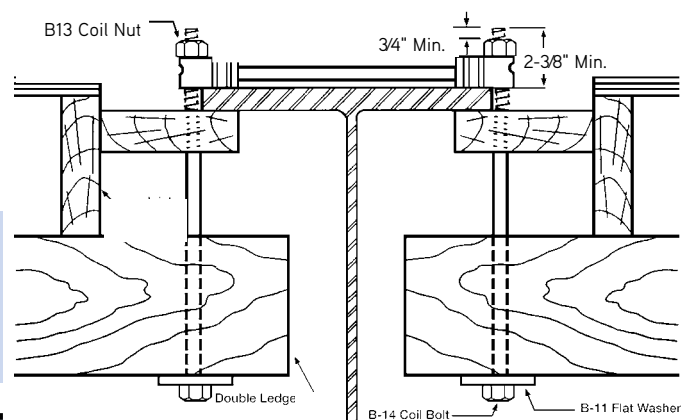
This hanger is exactly like the Type 4 hanger except it does not have the Interlock style end clips

Use with two 1/2" diameter coil rod and/or bolts which along with the coil nuts and washers support the interior formwork loads. Minimal flange length for C60 are 6'.

Safe Working Load
6,000 lbs. per Side

SWL provides a factor of safety of approximately 2 to 1.

WARNING: Hangers must be equally loaded on both sides.



To Order:
Specify: (1) quantity, (2) name, (3) flange width.

Example:
1,640 pcs. C60 Type 5 Pres-Steel Hanger for 15" flange.