

C68 Type 4-AB Pres-Steel Ty-Down Half Hanger

The C68 is an ideal half hanger for supporting overhang formwork when stay-in-place metal decking is used on the interior bays of a bridge deck.

These half hangers are fabricated with the strut wire formed into a "J" shape so it engages the edge of the flange. A 90° interlock end clip is welded to the strut wire to provide increased capacity.

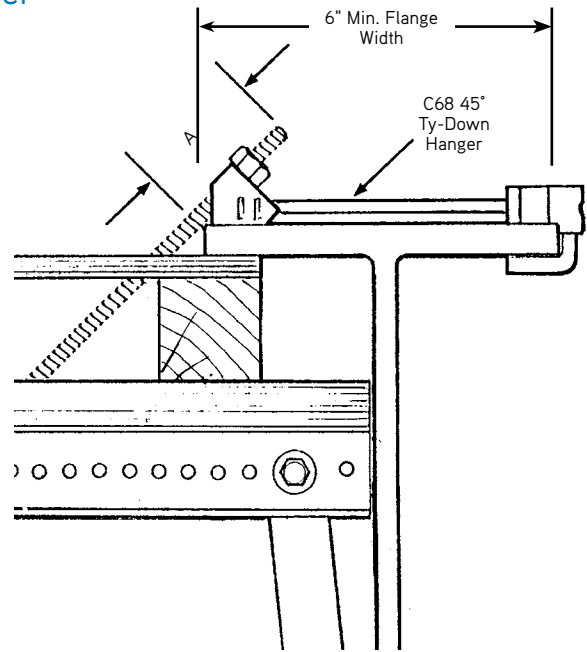
The Type 4-AB half hanger is furnished with a 45° end clip that accepts a 1/2" diameter coil rod or bolt.

To Order:
Specify: (1) quantity, (2) name, (3) flange width, (4) flange thickness.

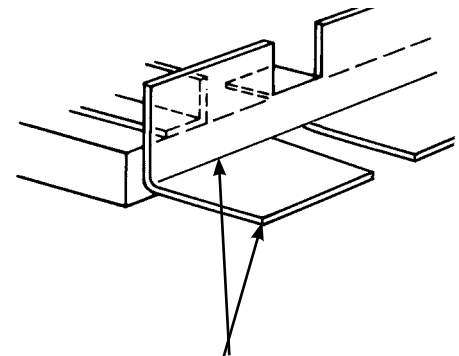
Example:
150 pcs. 4-AB Pres-Steel Ty-Down Half Hanger for 18" wide x 1-1/2" thick flange.

Type	Safe Working Load	Bolt Diameter	A
4-AB	6,000 lbs.	1/2"	3"

S.W.L. provides a factor of safety of approximately 2 to 1.



NOTE: Metal decking materials shown as example only. Actual application may vary.



Cut slot and bend tab down for hanger to fit