

TECHNICAL DATA SHEET

DESCRIPTION

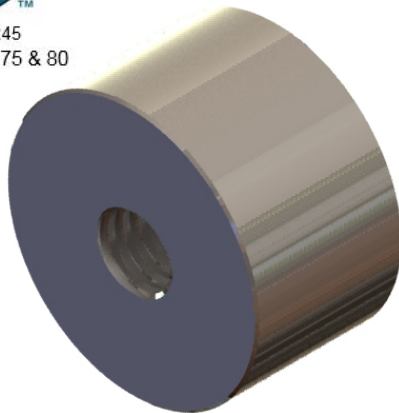
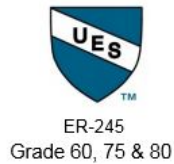
The D350 consists of a cylindrical steel body with a tapered threaded hole in its center.

APPLICATION

D350 is a class HA mechanical end anchor. The D350 end anchor disc simplifies rebar splicing in areas where rebar congestion prevents the use of lap splices or large diameter hooked rebar.

PRODUCT SPECIFICATION

- Extension of Taper- Lock product line
- Accommodates rebar sizes #4 through #18
- Available in Plain, Epoxy or Galvanized
- Minimizes development lengths
- Minimum head bearing area of 10x rebar diameter
- For use with grade 60, 75, 80 and 100rebar
- IAPMO Evaluation Report ER-0245



FEATURES

- Eliminates rebar congestion and aids in concrete placement
- Eliminates the need for hooked rebar
- Reduces engineering design time
- Simplifies load paths
- Conforms to ASTM A-970, ACI, Caltrans, IBC and Ministries of Transportation for Ontario and Quebec

TECHNICAL DATA

Bar Size - US	Bar Size - Metric (MM)	Bar Size CN (M)
#4	[13]	[10]
#5	[16]	[15]
#6	[19]	[20]
#7	[22]	--
#8	[25]	[25]
#9	[29]	[30]
#10	[32]	--
#11	[36]	[35]
#14	[43]	[45]
#18	[57]	[55]

INSTALLATION

1. Ensure threads are clean, in good condition and conforms to gauge requirements as published in Taper-Lock Machine Operation manual before assembly
2. Assemble D350 disc onto rebar
3. Finish assembly by tightening D350 end anchor disc hand tight (5 foot-pounds)

HOW TO ORDER

- Specify: (1) quantity, (2) name, (3) rebar size, (4) finish, (5) Made in USA requireme

Example: 500 pcs., D350 Taper-Lock® End Anchor Disc, #6, Black, Made in USA not required.

ORDERING INFORMATION

TAPER-LOCK® SEISMIC END ANCHOR - BLACK

(MADE IN USA)

Product Code	Description	Weight
127940	#4 [13MM]	.53 LB

TAPER-LOCK® SEISMIC END ANCHOR - EPOXY

(MADE IN USA)

Product Code	Description	Weight
128019	#6 [19MM]	1.71 LB
128020	#7 [22MM]	2.43 LB
128022	#9 [29MM]	5.19 LB
128023	#10 [32MM]	7.17 LB
128024	#11 [36MM]	9.41 LB
128025	#14 [43MM]	16.10 LB
128026	#18 [57MM]	39.15 LB

TECHNICAL DATA SHEET

MANUFACTURER

Dayton Superior Corporation
1125 Byers Road
Miamisburg, OH 45342
Customer Service: 888-977-9600
Technical Services: 877-266-7732
Website: www.daytonsuperior.com

WARRANTY (ACCESSORIES)

Limited Warranty. Dayton warrants, for a period of 60 days from the date of shipment (three years from the date of shipment in the case of formwork, excluding any consumable Products included with such formwork), that Products and any associated application drawings and engineering services provided by Dayton ("Ancillary Services") will be free from defects in material and workmanship and, in the case of custom designed formwork, that the formwork will meet the specifications set forth in the design drawings approved by Dayton and Customer. Any claim under this warranty must be made in writing within such warranty period. If any Product and/or Ancillary Service covered by a timely claim are found to be defective, Dayton will, within a reasonable time, make any necessary repairs or corrections or, at Dayton's option, replace the Product. Unless pre-authorized by Dayton in writing, Dayton will not accept any charges for correcting defects or accept the return of any Product. This warranty will not apply to any Products that have been subjected to misuse, neglect, storage damage, misapplication, accident or any other damage caused by any person other than Dayton, or that have not been maintained in accordance with Dayton's specifications. THIS LIMITED WARRANTY IS IN LIEU OF ALL OTHER WARRANTIES AS TO THE PRODUCTS AND ANCILLARY SERVICES. DAYTON MAKES NO OTHER WARRANTIES OR GUARANTEES, EXPRESS OR IMPLIED, INCLUDING ANY WARRANTY OF MERCHANTABILITY, FITNESS FOR A PARTICULAR PURPOSE OR OTHERWISE. THE REMEDIES SET FORTH IN THIS SECTION ARE CUSTOMER'S EXCLUSIVE REMEDY FOR BREACH OF WARRANTY.