

D351 Taper-Lock® End Anchor Disc

Product Description:

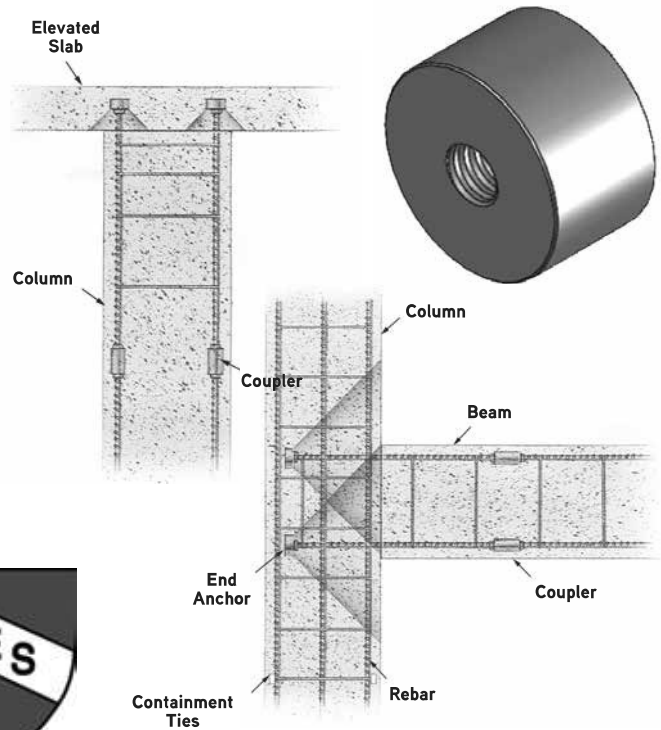
The D351 Taper-Lock End Anchor Discs simplify rebar splicing in areas where rebar congestion prevents the use of long lap splices or large diameter hooked rebar. The D351 Taper-Lock End Anchor Discs can be used for end anchoring, stirrup replacements, continuous splicing, and heavy anchorage of light standards and other signage.

Product Features and Benefits:

- Eliminates rebar congestion and aids in concrete placement
- Eliminates the need for hooked rebar
- Reduces engineering design time
- Improves safety related issues on the job site by reducing protruding dowels
- Complies with ASTM A970, ACI, Caltrans, IBC and Ministries of Transportation for Ontario and Quebec
- Develops full strength with hand-tighten installation
- Class HA per ASTM A970

Product Specifications:

- Extension of Taper-Lock product line
- Accommodates rebar sizes #4 through #18
- Available in Plain, Epoxy, or Galvanized
- Gross Bearing Area of 5Ab
- IAPMO UES Listed ER-245 Note: for grade 60, 75 and 80
- For use with Grade 60, 75, 80 or 100 rebar
- Different couplers are required for Grade 100. Please refer to the Product Codes chart below.



Taper-Lock®

Product Codes - D351 Taper-Lock End Anchor

Bar Size			Black (Made in USA)	Epoxy (Made in USA)
US	Metric (MM)	CN (M)		
#4	[13]	[10]	128430	128420
#5	[16]	[15]	128431	128421
#6	[19]	[20]	128432	128422
#7	[22]	—	128433	128423
#8	[25]	[25]	128434	128424
#9	[29]	[30]	128435	128425
#10	[32]	—	128436	128426
#11	[36]	[35]	128437	128427
#12	[40]	—	145110	145111
#14	[43]	[45]	128438	128428
#14B	[43]	[45]	100606	100607
#18	[57]	[55]	128439	128429
#18B	[57]	[55]	100610	100611

To Order:

Specify: (1) quantity, (2) name, (3) rebar size, (4) finish, (5) Made in USA requirement.

Example:

500 pcs., D351 Taper-Lock® End Anchor Disc, #6, Black, Made in USA not required.

Installation:

1. Ensure that threads are clean, in good condition, and conform to gauge requirements as published in the Taper-Lock Machine Operations Manual before assembly.
2. Assemble D351 into rebar hand tight (5 foot-pounds).