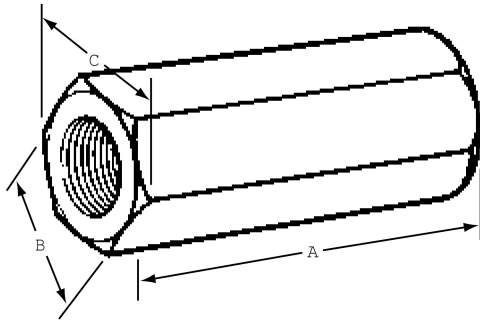


D4 Hex Coupling Nut

Dayton Superior D4 Hex Coupling Nuts are used to splice D1 Inside Tie Rods. Threads are right hand national course and will accept standard machine bolts. In order to develop the rated load you must make certain that you have equal engagement of the inside threaded rods or bolts. Hex coupling nut is not provided with a center stop.



D4 Hex Coupling Nut

D4 Hex Coupling Nut Selection Chart

National Course Thread Dia.	A	B	C	Safe Working Load Tension (lbs.)
3/8"	1-3/4"	5/8"	11/16"	3,750
1/2"	1-3/4"	11/16"	3/4"	9,000
5/8"	2-1/8"	13/16"	1-5/16"	12,000
3/4"	2-1/4"	1"	1-1/8"	18,000
1"	2-3/4"	1-3/8"	1-9/16"	36,000

SWL provides a factor of safety of approximately 2 to 1.

To Order:
Specify: (1) quantity, (2) name, (3) thread diameter.

Example:
2,000 pcs. D4 Hex Coupling Nuts, 1/2" thread.

See D6 Nut Washer information with B27

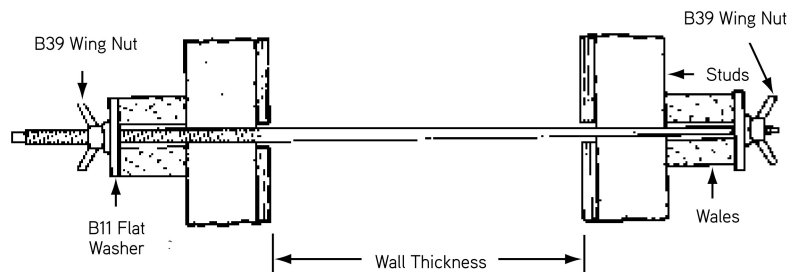
D9 Taper Ties

Dayton Superior D9 Taper Ties are used where specifications require or permit complete removal of the form tie from the concrete. Standard taper ties are supplied with coil thread in the diameters and lengths shown in the chart. Other lengths are available on special order.

A complete taper tie assembly consists of one taper tie, two flat washers and two appropriate nut devices. Standard taper ties are manufactured with a taper up to 30" in length. Longer tapers are available on special order.

For wrench turning purposes, taper ties are manufactured with a square end. On the opposite end (smaller end) is designed with a protruding nose to prevent thread damage during the removal operation. Coating the taper tie with waterproof grease will facilitate taper tie removal.

Note: Taper ties will wear and get damaged. They must be continually inspected and replaced if wear or damage is noted.



To Order:
Specify: (1) quantity, (2) name, (3) diameter, large and small, (4) O.A. length.

Example:
250 pcs. D9 Taper Ties, 1-1/4" dia. to 1" dia., 54" O.A. length.

D9 Taper Ties Selection Chart

Safe Working Load Tension (lbs.)	Large End of Tie		Small End of Tie		Standard Tie Lengths	Tapered Body Diameter
	Coil Thread Diameter	Length of Thread	Coil Thread Diameter	Length of Thread		
7,500	3/4"	10"	1/2"	2"	34", 43", 52"	.670" to .500"
18,000	1"	10"	3/4"	6"	30", 36", 42", 48", 54", 60", 72"	.884" to .750"
34,000	1-1/4"	10"	1"	6"		1.113" to 1.00"
50,000	1-1/2"	10"	1-1/4"	6"		1-1/2" to 1-1/4"
75,000 H.S.	1-3/4"	10"	1-1/2"	6"	36", 48", 60", 72"	1-3/4" to 1-1/2"

SWL provides a factor of safety of approximately 2 to 1.