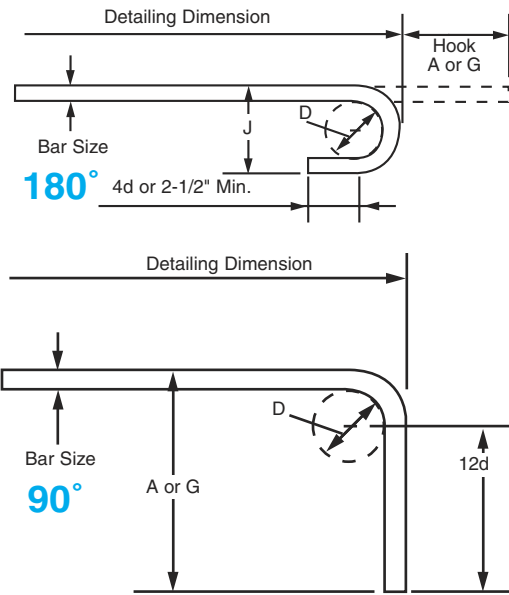
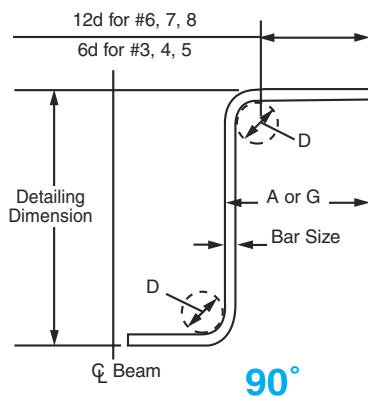


Table 1.6 Recommended End Hooks
All Grades: D = Finished bend diameter

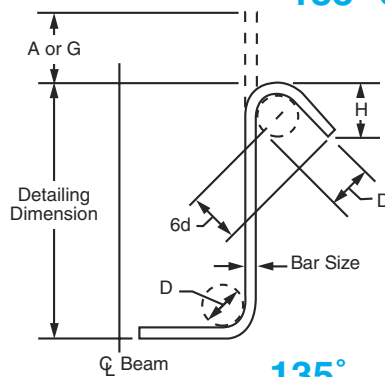
Bar Size	D (in.)	180° Hooks		90° Hooks
		A or G	J	A or G
#3 [#10]	2-1/4"	5"	3"	6"
#4 [#13]	3"	6"	4"	8"
#5 [#16]	3-3/4"	7"	5"	10"
#6 [#19]	4-1/2"	8"	6"	1'-0"
#7 [#22]	5-1/4"	10"	7"	1'-2"
#8 [#25]	6"	11"	8"	1'-4"
#9 [#29]	9-1/2"	1'-3"	11-3/4"	1'-7"
#10 [#32]	10-3/4"	1'-5"	1'-1-1/4"	1'-10"
#11 [#36]	12"	1'-7"	1'-2-3/4"	2'-0"
#14 [#43]	18-1/4"	2'-3"	1'-9-3/4"	2'-7"
#18 [#57]	24"	3'-0"	2'-4-1/2"	3'-5"



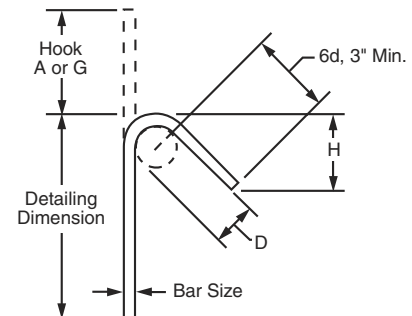
Recommended Industry Practice for Stirrup and Tie Hooks



90°



135°



135°

Table 1.7 Stirrup (Ties Similar)

Stirrup and Tie Hook Dimensions All Grades:

Bar Size	D	90°	135°	
		A or G	A or G	H*
#3 [#10]	1-1/2"	4"	4"	2-1/2"
#4 [#13]	2"	4-1/2"	4-1/2"	3"
#5 [#16]	2-1/2"	6"	5-1/2"	3-3/4"
#6 [#19]	4-1/2"	1'-0"	8"	4-1/2"
#7 [#22]	5-1/4"	1'-2"	9"	5-1/4"
#8 [#25]	6"	1'-4"	10-1/2"	6"

*H dimension is approximate.

Table 1.8 135° Seismic Stirrup/Tie

Hook Dimensions All Grades:

Bar Size	135° Seismic Hook		
	D	A or G	H*
#3 [#10]	1-1/2"	4-1/4"	3"
#4 [#13]	2"	4-1/2"	3"
#5 [#16]	2-1/2"	5-1/2"	3-3/4"
#6 [#19]	4-1/2"	8"	4-1/2"
#7 [#22]	5-1/4"	9"	5-1/4"
#8 [#25]	6"	10-1/2"	6"

*H dimension is approximate.