

F44 Thin Slab Ferrule Insert

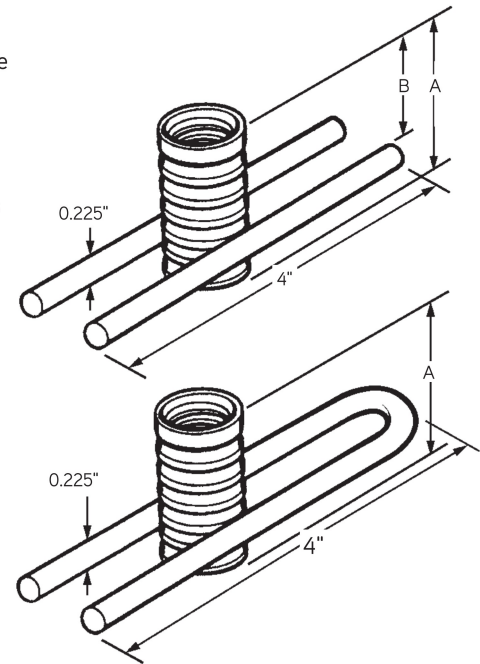
The Dayton Superior F44 Thin Slab Ferrule Insert is a specially designed insert for use where the depth of embedment is extremely limited and where there is a requirement for limited capacity in both tension and shear. Depending on region, the F44 will be furnished with either two struts welded to the bottom of the ferrule or one strut looped around the ferrule (see sketch). Minimum spacing between inserts is twice the minimum corner distance. Minimum edge or corner distance for tension capacities shown in table is 4", with minimum spacing between inserts 8".

F44 Thin Slab Ferrule Selection Table

Bolt Diameter and Threads per Inch	Safe Working Load Tension	Maximum Bolt Engagement	A	B
1/4" -20 NC	450 lbs.	3/4"	1-1/4"	9/16"
3/8" - 16 NC	450 lbs.	3/4"	1-1/4"	11/16"
1/2" - 13 NC	900 lbs.	1"	1-3/8"	13/16"
5/8" - 11 NC	1,000 lbs.	1-1/8"	1-5/8"	1-1/16"
3/4" - 10 NC	1,600 lbs.	1-1/8"	1-5/8"	1-1/16"
7/8" - 9 NC	1,600 lbs.	1-1/8"	1-5/8"	1-1/16"
1" - 8 NC	1,600 lbs.	1-1/8"	1-5/8"	1-1/16"

Safe Working Load provides a factor of safety of approximately 3 to 1 in 3,000 psi normal weight concrete.

Safe Working Loads are based on 1/2" setback from face of concrete.



F44 Thin Slab Ferrule Inserts

To Order:

Specify: (1) quantity, (2) name, (3) bolt diameter, (4) finish.

Example:

200, F44 Thin Slab Ferrule Inserts, 1/2" bolt diameter, plain finish.

F45 Cap Plug

The Dayton Superior F45 Cap Plug is the least expensive device available for positioning NC threaded inserts. The Cap Plug is easily nailed to a wood form. Push an NC Threaded insert onto the plastic cap for a press fit.

If care is taken in the placement of concrete and in the use of vibrators, the F45 Plastic Plug is a satisfactory mounting device. Available for use with 3/8", 1/2", 5/8", 3/4", 1" and 1-1/4" National Course (NC) threaded inserts.



F45 Cap Plug

To Order:

Specify: (1) quantity, (2) name, (3) size.

Example:

200, F45 Cap Plugs, 1/2" diameter.