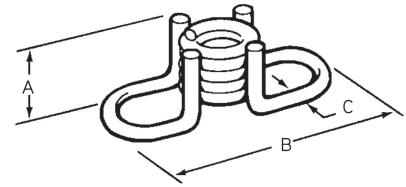


## F63 Flared Thin Slab Coil Insert

The Dayton Superior F63 Flared Thin Slab Coil Insert is designed for use in very thin slabs or other conditions where a longer insert cannot be used. Inserts should be set back 1/2" from the surface of the concrete, maintaining at least 3/4" of concrete below the insert. Minimum spacing between inserts is twice the minimum corner distance.



F63 Flared Thin Slab Coil Insert

### To Order:

Specify: (1) quantity, (2) name, (3) bolt diameter, (4) height, (5) finish.

### Example:

200, F63 Flared Thin Slab Coil Inserts, 1" dia. x 4-1/2", plain finish.

F63 Flared Thin Slab Coil Insert Selection Table

Bolt Diameter	Insert Length	Minimum Edge Distance	Minimum Corner Distance	Safe Working Load Tension	Safe Working Load Shear	A	B	C
1/2"	1-5/8"	6"	6"	1,520 lbs.	1,090 lbs.	1-5/8"	4-1/16"	0.223"
3/4"	2-5/16"	8"	8"	2,170 lbs.	1,640 lbs.	2-5/16"	4-5/8"	0.306"
3/4"	3-1/2"	9"	9"	3,570 lbs.	2,600 lbs.	3-1/2"	4-5/8"	0.306"
1"	2-5/16"	8"	8"	2,460 lbs.	1,970 lbs.	2-5/16"	5-1/8"	0.306"
1"	4-1/2"	12"	12"	5,280 lbs.	4,000 lbs.	4-1/2"	5-1/8"	0.306"

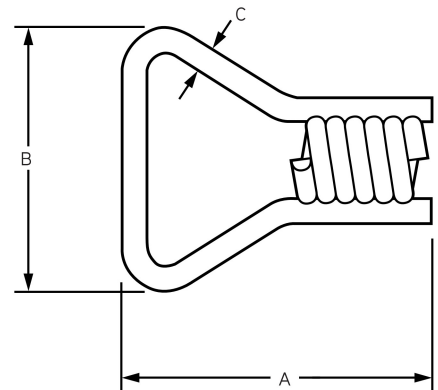
Safe Working Load provides a factor of safety of approximately 4 to 1 in 3,000 psi normal weight concrete.

Note: Dayton Superior does not recommend the use of 1/2" diameter bolts for lifting/handling of precast panels.

Lifting/Handling Inserts and Accessories

## F65 Type L Coil Insert

The Dayton Superior F65 Type L Coil Insert is designed for use in lifting and handling lightweight precast concrete elements. Inserts should be set back 1/2" from the surface of the concrete. Minimum spacing between inserts is twice the minimum corner distance.



F65 Type L Coil Insert

### To Order:

Specify: (1) quantity, (2) name, (3) bolt diameter, (4) finish.

### Example:

200, F65, Type L Coil Inserts, 1/2" diameter, plain finish.

F65 Type L Coil Insert

Bolt Diameter	Insert Length	Minimum Edge Distance	Minimum Corner Distance	Safe Working Load Tension	Safe Working Load Shear	A	B	C
1/2"	4"	2-1/2"	10"	1,150 lbs.	530 lbs.	4"	2-3/8"	0.223"
		5"	10"	2,250 lbs.	1,230 lbs.			
		8"	12"	2,250 lbs.	1,980 lbs.			
3/4"	4"	2-1/2"	10"	1,140 lbs.	600 lbs.	4"	3-3/8"	0.306"
		5"	10"	2,630 lbs.	1,400 lbs.			
		8"	12"	3,520 lbs.	2,250 lbs.			

Safe Working Load provides a factor of safety of approximately 4 to 1 in 3,000 psi normal weight concrete.

Note: Dayton Superior does not recommend the use of 1/2" diameter bolts for lifting/handling of precast panels.

Note: Table based on Face Lift usage of inserts.