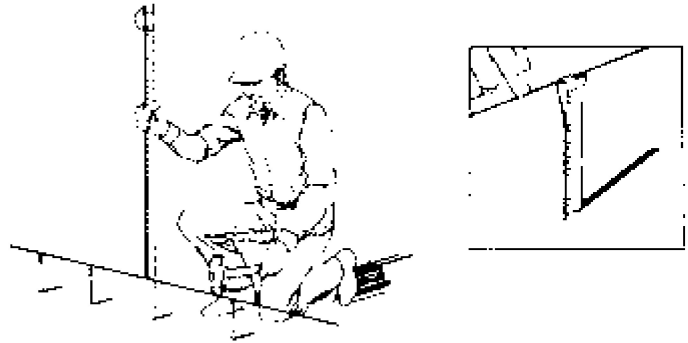


## How to Use Screed Key Joint

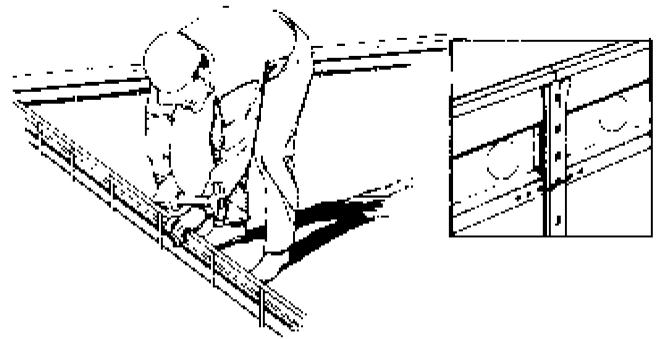
### Step 1:

Stretch a line over the entire length. Drive stakes are placed on approximately 20'. Set stakes 1/8" below finished floor elevation. Secure the line to the top of the stakes (as shown in the inset). Drive additional stakes to the bottom of the line at the end location of each screed key section.



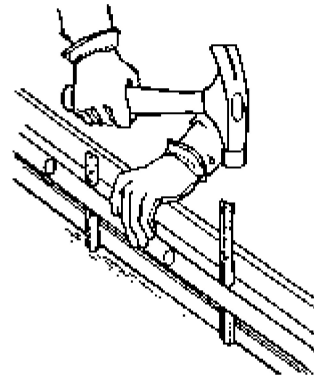
### Step 2:

Install Screed Key Joint on the stakes as shown. It is preferable to have the key facing the initial concrete placement. Butted joints are aligned over a stake, as shown in the inset.



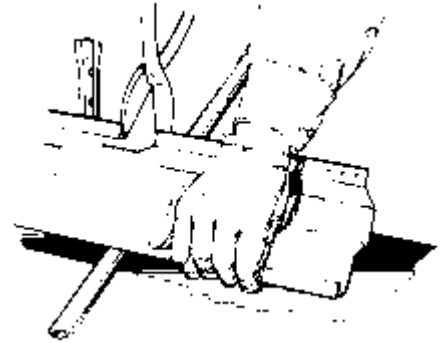
### Step 3:

Drive intermediate stakes through the holes provided in the pre-formed key.



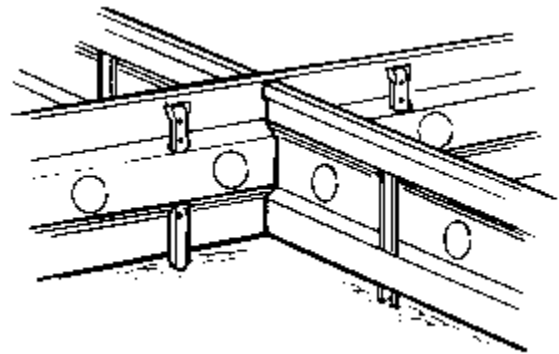
## Step 5:

Tin snips or a metal cutting saw can be used to trim or cut the key, when necessary.



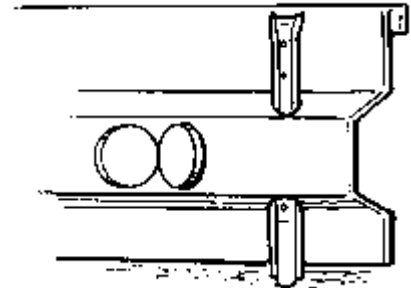
## Step 6:

Where joints meet at right angles, key joint should be trimmed to fit as shown. Note close proximity of the stakes to the joint.



## Step 7:

1-1/8" knockouts are supplied, as shown, on 6" centers when doweling is specified. When Screed Key Joint is used as a bulkhead for a construction joint, the knockout would be bent back into the pour at a 45° angle, as shown.



## Step 8:

Entire slabs may be poured at the same time by leaving out 10' sections of Screed Key Joint temporarily until the concrete truck can pull ahead and the section replaced.

Good slab construction practice dictates that slab reinforcement be properly supported by rebar supports after the truck has passed.

