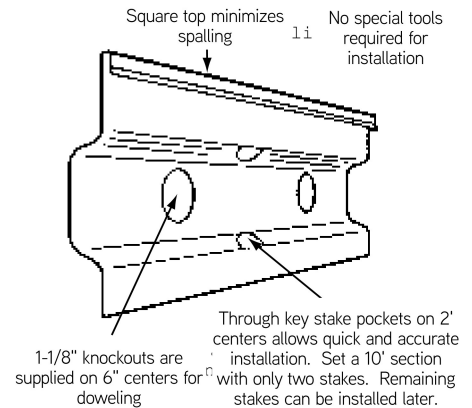


## G33 Screed Key Joint

Dayton Superior G33 Screed Key Joint is 24 gauge steel available in 10' lengths in heights of 3-1/2", 4-1/2" and 5-1/2" for use in 4", 5" and 6" on-grade concrete floor slabs. G33 meets ASTM A653 G40 Type B mill galvanized requirements. Screed Key produces a smooth, flush surface joint that requires no filling. The use of Screed Key Joint minimizes random cracking and provides proper load transfer from slab to slab.

The use of Screed Key Joint is more economical than bulk-headed forms that must be prepared, installed, stripped, cleaned, repaired or replaced and stored. With Screed Key Joint an entire slab or strips can be poured at one time. Costly and time-consuming checker boarding is eliminated. Install the Screed Key Joint and pour the concrete - finish flush to the joint and the slab is finished.



**To Order:**

Specify: (1) quantity, (2) name, (3) height.

**Example:**

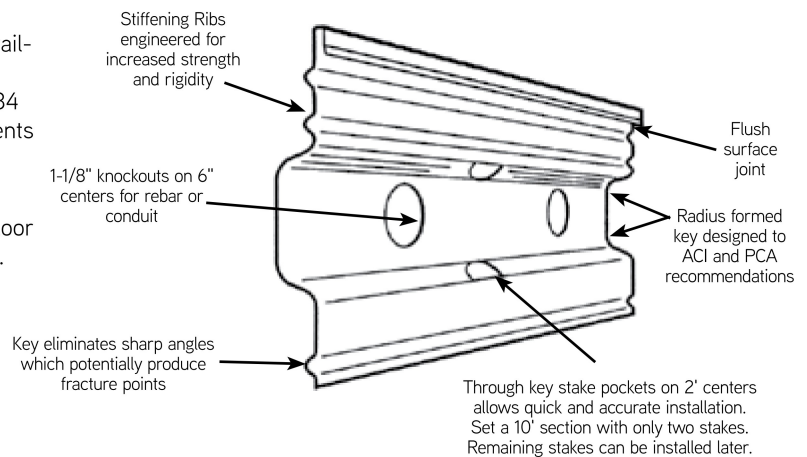
200 pcs. G33 Screed Key Joints, 5-1/2" heights.

**Note:** Screed Key joint or load key joint is not recommended for use in warehouse floor slabs which are subjected to high volume traffic consisting of fork trucks, heavily loaded hand pallet trucks or heavily loaded steel wheel carts.

## G34 Load Key Joint

Dayton Superior G34 Load Key Joint is 24 gauge steel available in heights of 7-1/2" and 9-1/2". It is furnished in 10' lengths for use in 8" and 10" slabs or thickened joints. G34 meets ASTM A653 G40 Type B mill galvanized requirements. G34 Load Key Joint produces a floor that is ready to use without costly filling.

The use of Load Key Joint insures a strong, high quality floor at a low initial cost and with minimum maintenance costs.



**To Order:**

Specify: (1) quantity, (2) name, (3) height.

**Example:**

200 pcs. G34 Load Key Joints, 7-1/2" height.

## G35 Plastic Cap Strip

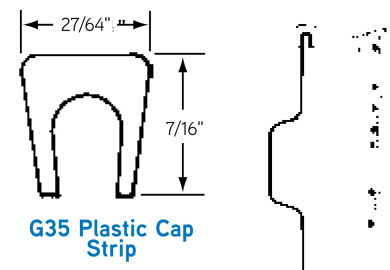
Dayton Superior G35 Plastic Cap Strip is used on G33 or G34, shown above, when a joint sealant is specified. The 500' G35 strip is easily removed after the concrete hardens leaving a wedge shaped joint that is easily and economically sealed.

**To Order:**

Specify: (1) quantity, (2) name.

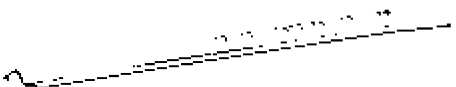
**Example:**

200 pcs. G35 Plastic Cap Strip.



## G37 Stake

Dayton Superior G37 Stake is available for use with G33 and G34, above. The G37 Stake is 3/4" wide 16 gauge steel available in 12", 15", 18" and 24" lengths.



**To Order:**

Specify: (1) quantity, (2) name, (3) length.

**Example:**

200 pcs. G37 Stakes, 18" long.