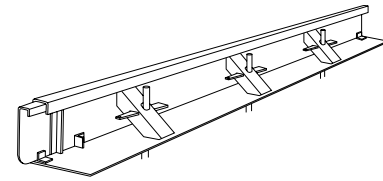


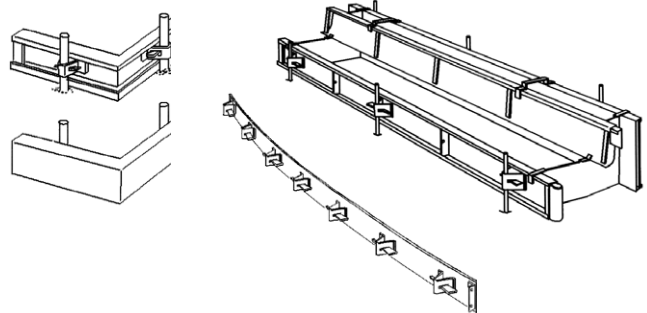
Heavy Duty Paving Forms

For almost a century, the Dayton-Superior Companies have been in the paving forms manufacturing business, providing quality core products to a network of contractors and distributors. When an addition to your edge form inventory is required, please contact us for a custom quotation. We guarantee to turn around all proposals within 24 hours. Dayton Superior manufactures forms meeting any paving requirement.



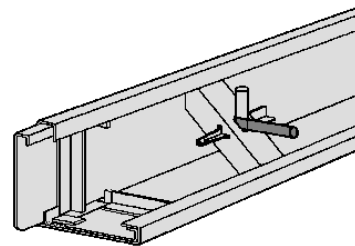
Curb and Gutter Forms

Versatile product line that adapts to many different concrete forming conditions. It is ideally suited for applications that include sidewalks, curbs and gutters, and pavements. This forming system features durable steel components, with added reinforcement, for maximum service life. These components are precision-welded to provide a system that lasts far longer than conventional lumber edge forms.



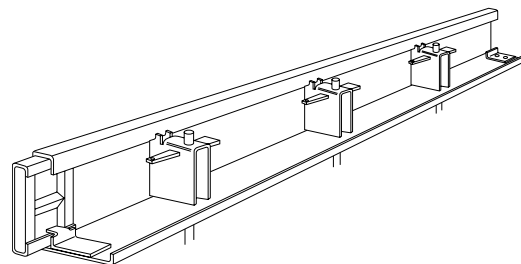
2 in 1 Paving Forms

This permits the placement of two slab thicknesses with one reversible form.



Paving Form Options

- Double Wedge Stake Pockets
- Reinforcing Gussets
- Dowel Bar Support Assemblies
- Keyway Attachments
- Turned Up Bottom Flange



Highway Dowel Hole and Keyway Section

- Standard 10' length.
- Product #32499 – Dowel hole (punched on request, specify location).
- Product #32526 – 10' keyway section (1⁵/₈" top x 1³/₄" depth x 2³/₄" base)
- Includes mounting (welded or bolted)
- Specify mounting location

