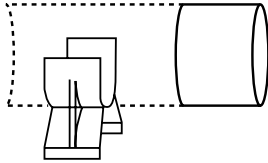


## Snap-On Dowel Chair and Caps K54

Plastic dowel chairs are available for support of 1/2" through 1 1/2" diameter dowels used in retrofit applications.

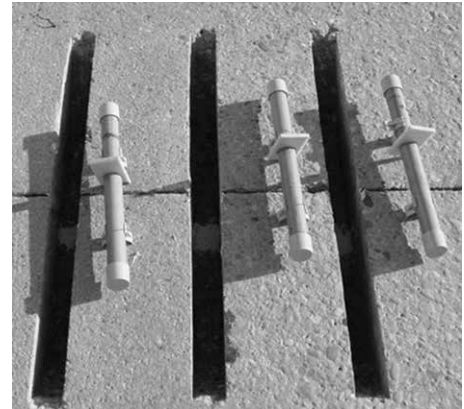
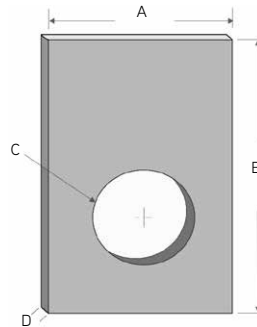


Product Code	Description	Weight/Piece
80788	1/2" for 1 1/2" Dowels	0.047
80789	1/2" for 1 1/2" Dowels(H)	0.018
80790	1/2" for 1 1/4" Dowels	0.017
121254	1 1/4" - Dwl Cap	0.022
121255	1 1/2" - Dwl Cap	0.028
220111	1 1/2" - Dwl Cap w/Chair	0.046
220110	1 1/4" - Dwl Cap w/Chair	0.039

## Foam Core Boards

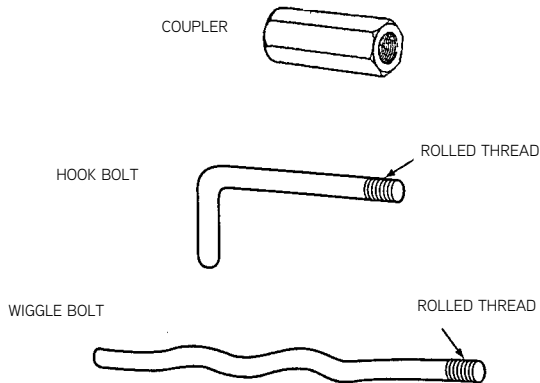
Foam Core Boards fit Dowel Bars are available for 1/2" through 1 1/2" diameter dowels used in retrofit applications.

Call for availability. Order by dimensions as shown.



## Longitudinal Joint Ties

Bolts and couplers are available as longitudinal joint ties in 5/8" and 3/4" diameters. Bolts are fabricated in hook or wiggle configurations.



Cat. I.D.	Product Code	Type and Size	Weight/Piece	Load Cap.
K27H	80869	K27-H (AWC) 5/8" x 6"	0.77	15,000 lbs.
K27H	80883	K27-H 5/8" x 6"	0.058	15,000 lbs.
K27H	80873	K27-H 5/8" x 8"	0.07	15,000 lbs.
K28W	80871	K28-W (AWC) 5/8" x 12"	1.0	15,000 lbs.
K27H	80877	K27-H (AWC) 3/4" x 6"	1.01	24,000 lbs.
K27H	80885	K27-H 3/4" x 6"	0.84	24,000 lbs.
K27H	80881	K27-H 3/4" x 8"	1.04	24,000 lbs.
K28W	80879	K28-W (AWC) 3/4" x 12"	1.53	24,000 lbs.
K29	80887	K29 5/8" Coupler	0.18	15,000 lbs.
K29	80889	K29 3/4" Coupler	0.17	24,000 lbs.