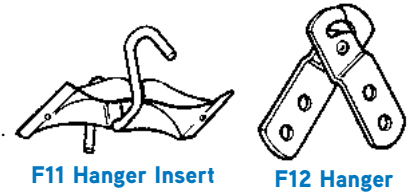


F11 Hanger Insert and F12 Hanger Hook

One of the more economical and effective devices for providing points of anchorage for suspended ceilings is the hanger insert that can be fastened to a beam soffit by nailing or taping. The metal shell provides a cavity and the wire clip provides the anchorage for the attachment of ceiling suspension wires. If preferred, the Hanger Hook provides a simple method for the attachment of perforated metal hanger straps that can be used for the support of pipe, conduit, etc. Both insert and hook are fabricated from galvanized material. The F12 Hanger Hook is available with 9/32" or 13/32" holes.



F11 Hanger Insert

F12 Hanger

To Order:

Specify: (1) quantity, (2) name, (3) hole size in F12.

Example:

200 each, F11 Hanger Inserts and F12 Hanger Hooks, 9/32" holes.

P30 Corewall® Nut Type Slotted Insert

P31 Corewall® Strap Type Slotted Insert

COREWALL Slotted Inserts and accessories are engineered for performance and have proven to be one of the most advanced, adjustable inserts available on the market today. The slotted inserts feature a plastic back and a removable plastic slot cover that keeps the insert clean and saves you valuable time during the erection process.

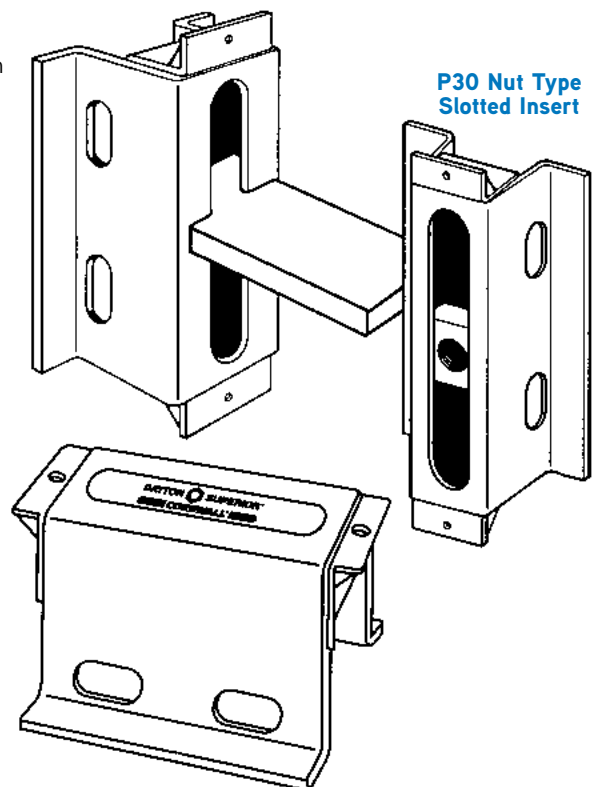
COREWALL slotted inserts from Dayton Superior are available in two different types, the P30 Nut Type Slotted Insert and the P31 Strap Type Slotted Insert. Both types have tabs on each end of the insert for easy attachment to your forms.

The P30 Nut Type Slotted Insert uses a spring loaded, zinc-plated, heavy duty 3/4"-10 National Course (NC) threaded nut to provide fast, efficient and reliable connections. The P31 Strap Type Slotted Insert is used with either the P32 Standard Strap Anchor or the P33 Slotted Strap Anchor, depending upon your erection requirements. The P34 Threaded Strap Anchor is used with the P30 Nut Type Slotted Insert.

The design of the strap anchor allows for fast installation of the anchor into the slotted insert. This speeds up the erection process and saves valuable installation time. As part of the erection process, the strap anchor is welded to the building's structural frame to make a ductile connection. All COREWALL products are manufactured from a weldable grade of steel.

Dayton Superior COREWALL slotted inserts are ideal for use in precast concrete industrial wall panels, architectural panels, structural panels or precast parking structures. The COREWALL slotted inserts are also suitable for use in seismic areas.

P31 Strap Type Slotted Insert



P30 Nut Type Slotted Insert

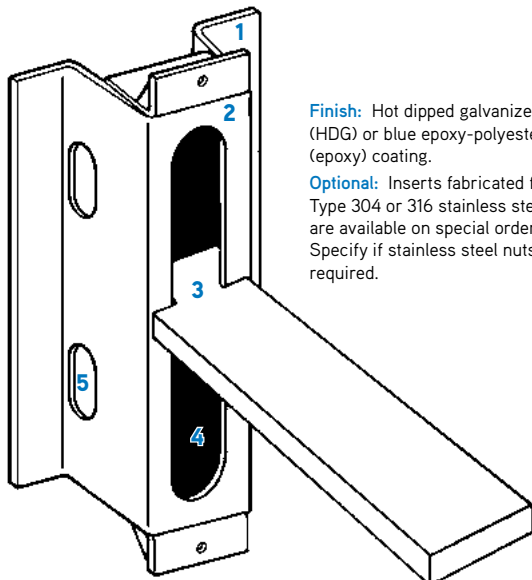
**Fast, High Strength, Reliable
Concrete Connection Inserts**

P31 Corewall® Strap Type Slotted Insert P32 Corewall® Strap Anchor

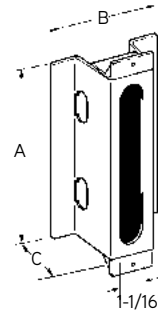
P34 Corewall® Threaded Strap Anchor

The P31 Corewall Strap Type Slotted Insert and the P30 Corewall Nut Type Slotted Insert are both quick and versatile precast concrete connection inserts. When used with the slot running in the same direction as the applied load, the inserts act as a tension tie to the structural frame. However, when the inserts are installed so that the slot runs 90° to the applied load, the inserts can support both shear and tension loads.

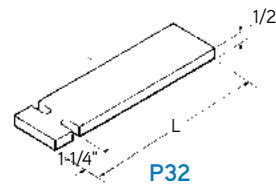
See following pages for the minimum edge distance requirements needed to develop the tension and shear safe working loads shown in the table below.



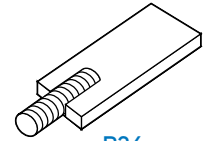
Finish: Hot dipped galvanized (HDG) or blue epoxy-polyester (epoxy) coating.
Optional: Inserts fabricated from Type 304 or 316 stainless steel are available on special order. Specify if stainless steel nuts are required.



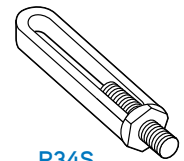
P31



P32



P34



P34S

1. Tabs for easy attachment to forms.
2. Weldable grade of steel.
3. Notch in strap anchor assures positive connection to insert
4. Slot allows adjustment for erection tolerances.
5. Slotted holes for extra reinforcement where required.

P31 Corewall Strap Type Slotted Insert

P32 Corewall Strap Anchor

P31 Corewall Strap Type Slotted Insert Selection Table

Insert Style	Tension Safe Working Load	Shear Safe Working Load		A	B	C
		Up to 2' Eccentricity	Up to 3' Eccentricity			
SA 1825	4,000 lbs.	6,650 lbs.	4,000 lbs.	8"	4-3/16"	2-1/2"
SA 1635	5,350 lbs.	6,650 lbs.	4,000 lbs.	6"	4-3/8"	3-1/2"
SA 1835	5,350 lbs.	6,650 lbs.	4,000 lbs.	8"	4-3/8"	3-1/2"

Safe Working Load provides a factor of safety of approximately 3 to 1 in 5,000 psi normal weight concrete. Eccentricity is measured from face of insert to midpoint of the weld connecting the strap anchor to the structural frame.

Corewall Strap Anchor Selection Table

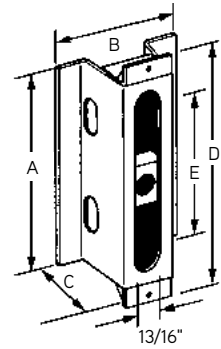
P32 Standard Strap Anchor		P34 Threaded Channel Strap Anchor		P34 Threaded Plate Strap Anchor	
Part Number	Length	Part Number	Length	Part Number	Length
CE 806	6"	CE 675	6"	CE 600	6"
CE 808	8"	CE 875	8"	CE 800	8"
CE 810	10"	CE 1075	10"	CE 1000	10"
CE 812	12"	CE 1275	12"	CE 1200	12"

Note: Longer lengths are available on special order. The P34 Threaded Strap Anchor is used with the P30 Nut Type Slotted Insert and P38 Slotted Insert II.

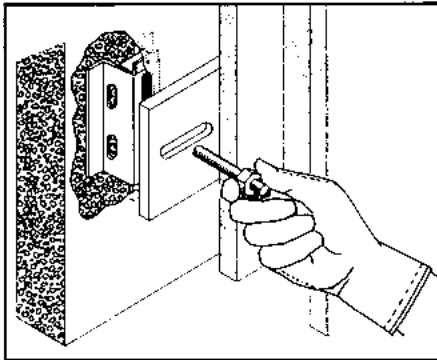
Miscellaneous Connection Inserts

P30 Corewall® Nut Type Slotted Insert

The Dayton Superior P30 Nut Type Slotted Insert uses a spring loaded, zinc plated, heavy duty 3/4"-10 NC threaded nut to provide fast, efficient and reliable connections. The P30 insert can be used with standard NC threaded bolts or a P34 Threaded Strap Anchor, if a welded connection is required. P30 inserts are available in 4", 6" and 8" standard lengths with either blue epoxy-polyester or hot dipped galvanized (HDG) finish. Type 304 or 316 stainless steel is available on request.



P30 Corewall Slotted



For proper connection to the structural frame of the building, use either a 3/4"-10 NC threaded bolt or rod meeting ASTM A-325 or SAE Grade 5 Standards.

To Order:

Specify: (1) quantity, (2) name, (3) part number, (4) finish.

Example:

200, P30 Corewall Nut Type Slotted Inserts, #CS425, hot-dip galvanized.

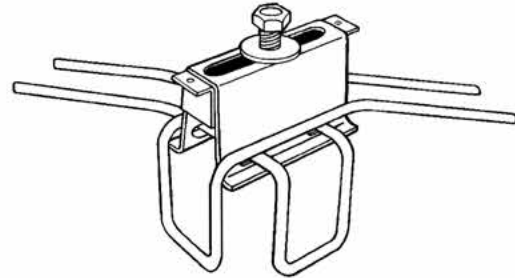
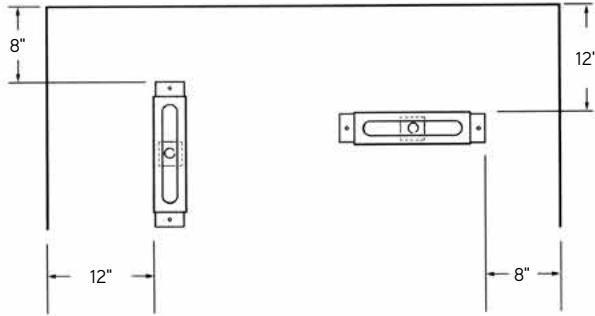
P30 Corewall Nut Type Slotted Insert Selection Table

Product Code	Tension Safe Working Load	Shear Safe Working Load	A	B	C	D	Adjustment E
CS425	4,000 lbs.	6,650 lbs.	4"	3-3/16"	2-1/2"	5-1/2"	2-1/2"
CS625	4,000 lbs.	6,650 lbs.	6"	3-3/16"	2-1/2"	7-1/2"	4-1/2"
CS635	5,350 lbs.	6,650 lbs.	6"	3-3/8"	3-1/2"	7-1/2"	4-1/2"
CS835	5,350 lbs.	6,650 lbs.	8"	3-3/8"	3-1/2"	9-1/2"	6-1/2"
CS645	6,650 lbs.	6,650 lbs.	6"	3-11/16"	4-1/2"	7-1/2"	4-1/2"
CS845	6,650 lbs.	6,650 lbs.	8"	3-11/16"	4-1/2"	9-1/2"	6-1/2"

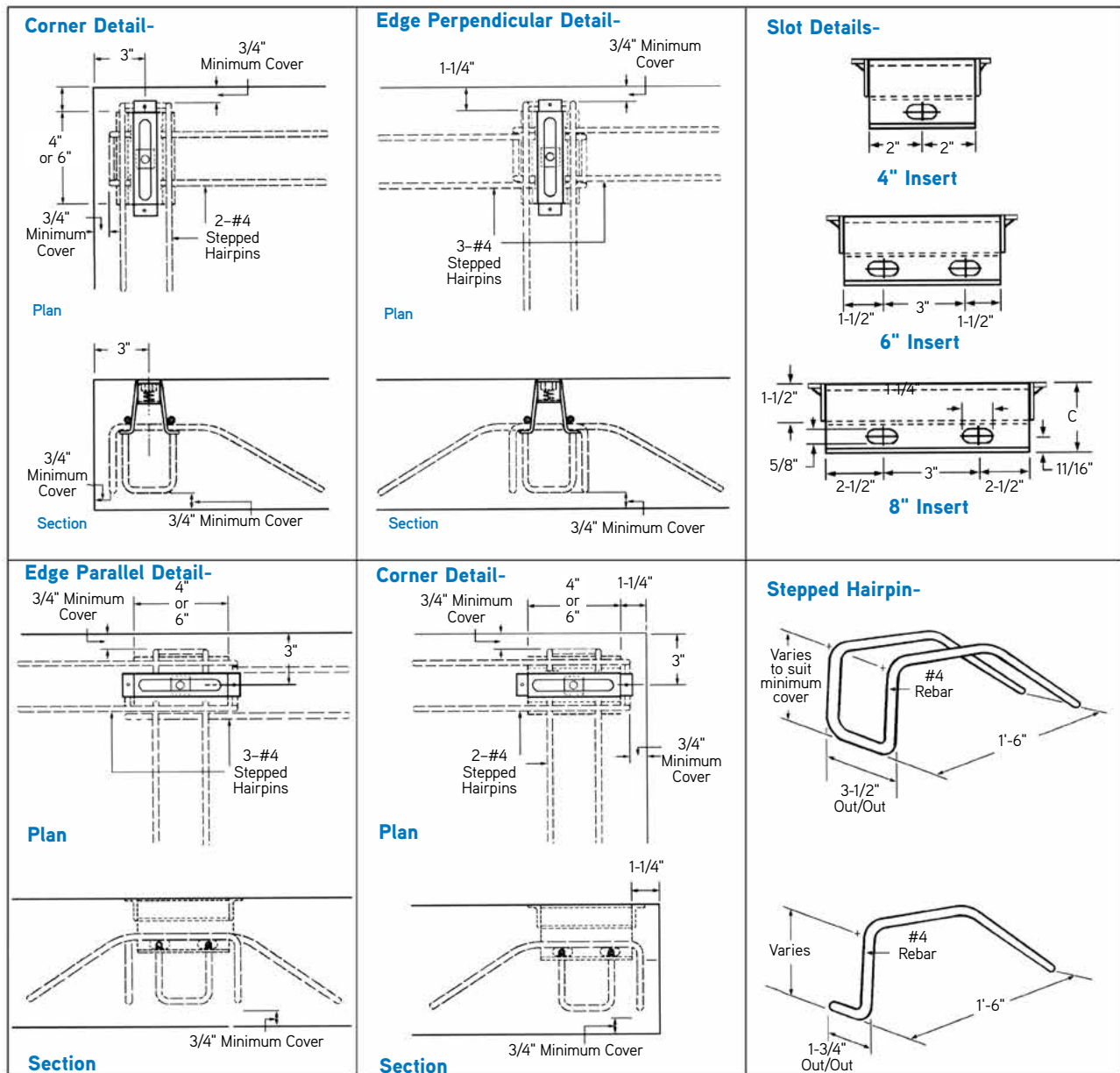
Safe Working Loads provide a factor of safety of approximately 3 to 1 in 5,000 psi normal weight concrete.

Corewall® Edge and Corner Details

Minimum edge distance, without the use of additional reinforcing steel, is shown below. Edge distance can be reduced if additional reinforcing steel is installed in the insert slots, as shown.



A variety of configurations of extra reinforcing bars can be easily placed through the slotted holes in the legs of the insert. This will allow the insert to be used in seismic areas, as well as close to corners or edges of a precast concrete panel.



Miscellaneous Connection Inserts