

Anchor Placement

Placement of the Utility Anchor is dependent on the structural shape of the precast unit and/or the manufacturer's preference. The Utility Anchors are not designed for thin edge installations. Always maintain minimum edge distances and adjust anchor capacities if concrete strengths, other than those noted in the capacity chart, are encountered. Refer to edge distance chart.

In-Form setting:

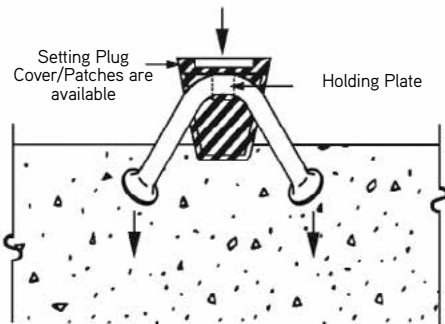
1. Assemble setting plug and anchor.
2. Affix holding plate (nail, weld, magnetic setting plate, double-face tape) to the form.
3. Push the setting plug/anchor assembly onto the holding plate and firmly against the form.

Through-Form Setting

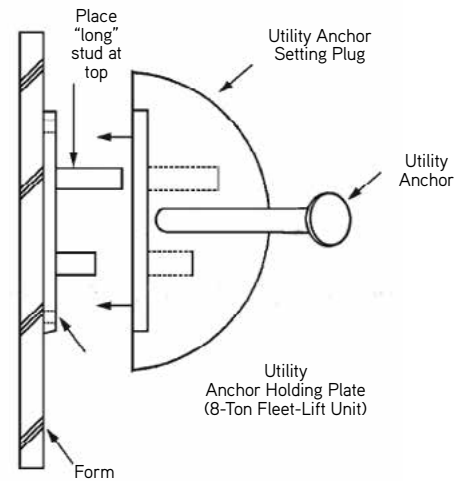
1. Assemble setting plug and anchor.
2. Insert holding rod through form and line up setting plug.
3. Finger-tighten holding rod and lock assembly in place with the running wing nut.

Wet Setting

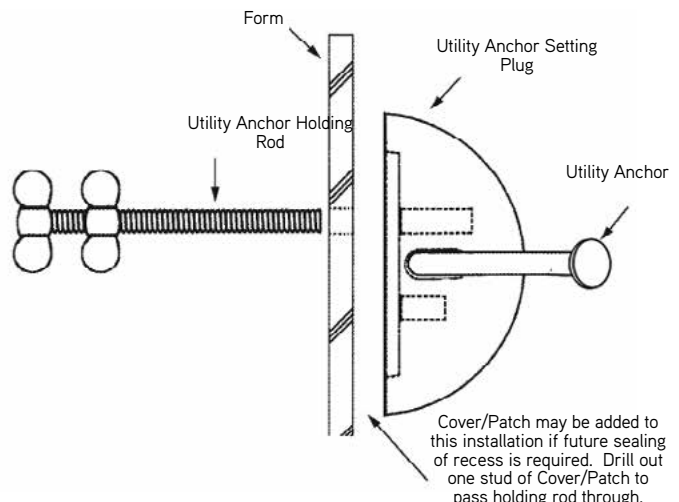
1. Assemble setting plug holding plate and anchor.
2. Use cover/patch or duct tape to seal setting plug cavities.
3. Work the assembly down into the wet concrete until the top surface of the plug is flush with the surface of the concrete.



"Wet" Setting



In-Form Setting



Through-Form Setting

Utility Anchor Lifting System

P76 Utility Anchor® and Double Tee Anchor Setting Plug

The new P76 Setting Plug is a re-usable polyurethane setting plug designed to provide a larger recess in the concrete for the 0.671 Utility Anchors and the Double Tee Anchors. This setting plug is 9.0" in length, 4.5" in width across the top, and 3.3" in depth. This recess member positions the anchor at a 90 degree angle to the surface of the concrete product. The reusable setting plug sets the anchor approximately 1/2" below the top of the concrete. The setting plug is attached to the form with the P101 Holding Rod and/or the P100 Holding Plate. The P76 Setting Plug is stripped from the concrete by placing two 3/8" dia. rods into the holes provided in the plug and using a 'scissor action' to strip the plug from the anchor.



To Order:

Specify: (1) quantity, (2) name, (3) product code.

Example:

200, P76 Utility Anchor and Double Tee Anchor