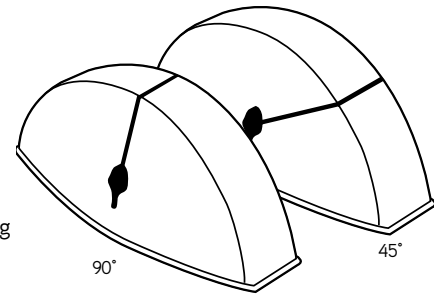


P76 Utility Anchor® Setting Plugs

Utility Anchor Setting Plugs are a polyurethane plastic in 90° and 45° orientation.

The reusable setting plug properly sets the anchor approximately 1/2" below the surface of the concrete and provides an adequate recess for easy sling attachment. After final positioning of the concrete element, the recess formed by the recess member can be easily grouted or conveniently covered by the Utility Anchor Cover/Patch.

The 90P875 Setting Plug used with the P75H 24,000 lb. anchor requires 2 each P101 holding rods to attach setting plug to the form. No holding plate or magnetic plate are available for this setting plug.



P76 Utility Anchor Setting Plugs

P76 Utility Anchor Setting Plug

Type	Product Code No.	Length	Depth	Width	Color
90P444	123175	8.00"	3.25"	3"	Blue
45P444	123176	8.00"	3.25"	3"	Blue
90P671	123177	8.00"	3.25"	3"	Orange
90P671	127786	9.00"	4.58"	3.35"	Orange
45P671	123178	8.00"	3.25"	3"	Orange
90P875	124685	15.00"	6.13"	5"	Blue

To Order:

Specify: (1) quantity, (2) name, (3) product code.

Example:

200, P76 Utility Anchor Setting Plugs, 90P444.

P76D Disposable Setting Plugs

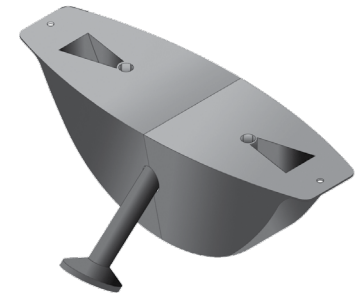
The Disposable Setting Plug is manufactured to offer the precaster an inexpensive alternate to urethane setting plugs. This 2 piece high density polyethylene plastic setting plug is used with the 0.671 Dayton Superior Utility Anchors. The two piece design snaps tightly together around the legs of the anchor eliminating concrete entering the void. The setting plug is installed to the formwork using nail holes on each end of the plug.

To Order:

Specify: (1) quantity, (2) name, (3) product code.

Example:

200, P76D, #126214.



P76D Disposable Utility Anchor Setting Plugs 0.671

P76C Utility Anchor Cover/Patch

The P76C Utility Anchor Cover/Patch installs over the back of the setting plug to protect the unit without the use of duct tape. The cover/patch can be installed on the setting plug/anchor assembly prior to setting the assembly in the form. This protects the assembly from concrete leakage through the concrete placement sequence. It can also be used later as a temporary or permanent cover for the recess. The P76C cover is gray in color and will blend with most concrete. It can be painted to match other color schemes.

Note: The P76C does not work with the P76 type 90P671 (PN: 127786) or 90P875 (PN: 124685) setting plugs.



P76C Utility Anchor Cover/Patch

P76P Single Use Void Former

The P76P Single Use Void Former is manufactured to offer the precaster an inexpensive alternative to urethane setting plugs.

Features

- The two-piece design snaps tightly together around the legs of the anchor preventing concrete from entering the void
- The setting plug is installed to the formwork using nail holes on each end of the plug

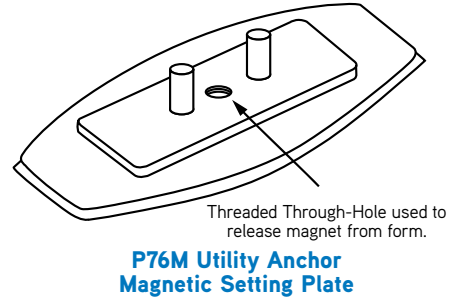


P76P Single Use Void Former

P76M Utility Anchor® Magnetic Setting Plate

The Dayton Superior P76M Utility Anchor Magnetic Setting Plates are available for easy setting of utility anchors in steel precast forms.

Use 3/8" P101 Holding Rod in threaded through hole to strip magnet from steel form.



To Order:

Specify: (1) quantity, (2) name.

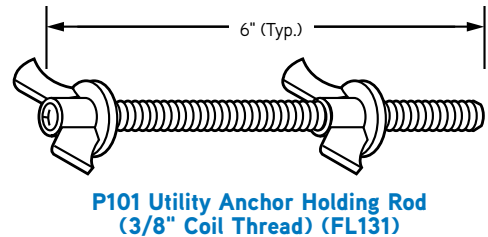
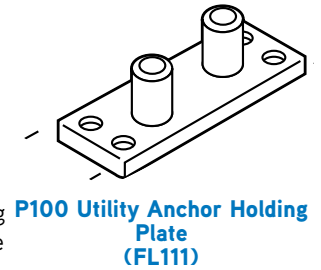
Example:

200, P76M Utility Anchor Magnetic Setting Plates.

P100 Utility Anchor® Holding Plate P101 Utility Anchor® Holding Rod

The Dayton Superior P100 Utility Anchor Holding Plate and P101 Holding Rod are used in various applications to install Utility Anchors in the form. The Holding Plate can be nailed, screwed, welded or double-face taped to the form. The setting plug/anchor assembly is pushed onto the projecting studs of the plate and held firmly in place through the concrete placement.

The Holding Rod is placed through a predrilled hole in the form and into the threaded insert in the setting plug. After fully seating the holding rod in the setting plug, the setting plug can be pulled up tightly to the form with the holding rod's free-running wing nut.



To Order:

Specify: (1) quantity, (2) name, (3) anchor diameter.

Example:

200, P100 Utility Anchor Holding Plates, 0.671 anchor diameter.

P104U One Piece Magnetic Utility Anchor® Recess

The Dayton Superior P104U One Piece Magnetic Utility Anchor Recess allows installation of Utility Anchors in a metal face form using a one piece rubber recess with Magnet imbedded in the top of the recess. Available for 0.444 or 0.671 Utility Anchors.

To Order:

Specify: (1) quantity, (2) name.

Example:

200, P104 One Piece Magnetic Utility Anchor Recess.



Utility Anchor Lifting System

Anchor Placement

Placement of the Utility Anchor is dependent on the structural shape of the precast unit and/or the manufacturer's preference. The Utility Anchors are not designed for thin edge installations. Always maintain minimum edge distances and adjust anchor capacities if concrete strengths, other than those noted in the capacity chart, are encountered. Refer to edge distance chart.

In-Form setting:

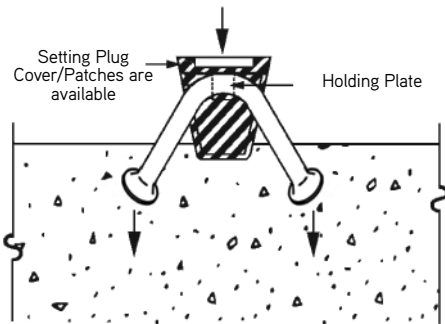
1. Assemble setting plug and anchor.
2. Affix holding plate (nail, weld, magnetic setting plate, double-face tape) to the form.
3. Push the setting plug/anchor assembly onto the holding plate and firmly against the form.

Through-Form Setting

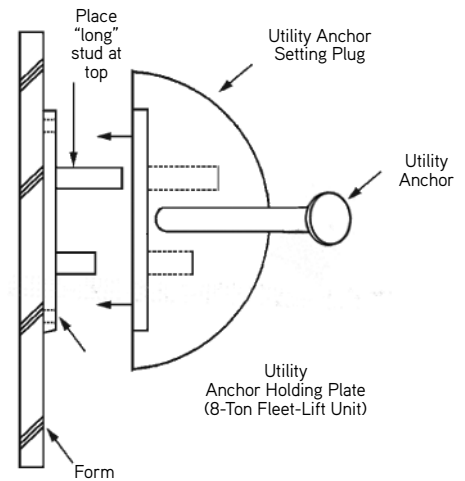
1. Assemble setting plug and anchor.
2. Insert holding rod through form and line up setting plug.
3. Finger-tighten holding rod and lock assembly in place with the running wing nut.

Wet Setting

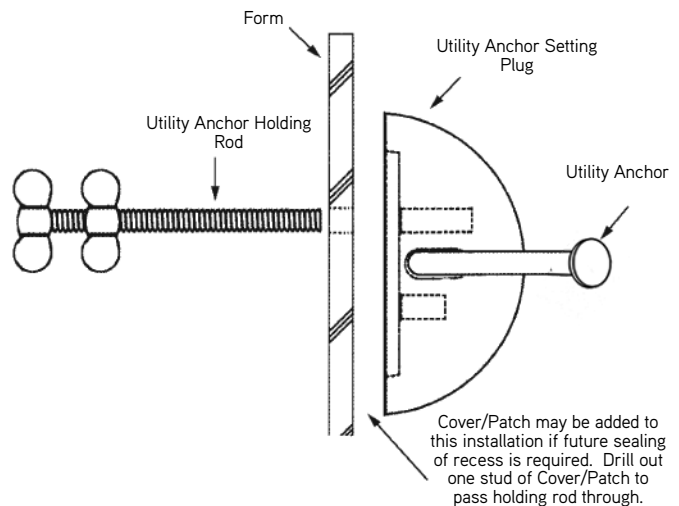
1. Assemble setting plug holding plate and anchor.
2. Use cover/patch or duct tape to seal setting plug cavities.
3. Work the assembly down into the wet concrete until the top surface of the plug is flush with the surface of the concrete.



"Wet" Setting



In-Form Setting



Through-Form Setting

Utility Anchor
Lifting System

P76 Utility Anchor® and Double Tee Anchor Setting Plug

The new P76 Setting Plug is a re-usable polyurethane setting plug designed to provide a larger recess in the concrete for the 0.671 Utility Anchors and the Double Tee Anchors. This setting plug is 9.0" in length, 4.5" in width across the top, and 3.3" in depth. This recess member positions the anchor at a 90 degree angle to the surface of the concrete product. The reusable setting plug sets the anchor approximately 1/2" below the top of the concrete. The setting plug is attached to the form with the P101 Holding Rod and/or the P100 Holding Plate. The P76 Setting Plug is stripped from the concrete by placing two 3/8" dia. rods into the holes provided in the plug and using a 'scissor action' to strip the plug from the anchor.



To Order:

Specify: (1) quantity, (2) name, (3) product code.

Example:

200, P76 Utility Anchor and Double Tee Anchor Setting Plug, #127786.