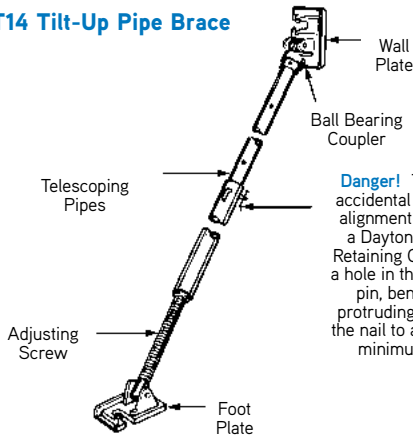


T14 Tilt-Up Wall Braces

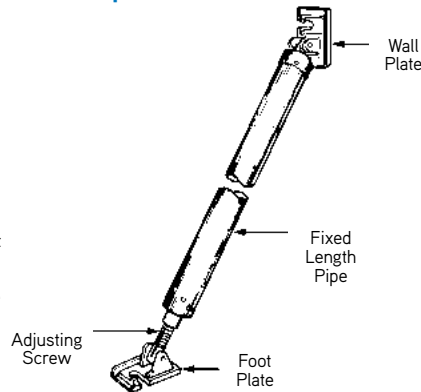
The T14 Tilt-Up Wall Braces are all steel, heavy duty wall braces designed to quickly and easily align and brace tilt-up wall panels. Rough adjustment of the T14 braces is easily accomplished by telescoping the pipes to the nearest incremental hole.

Final adjustment is then achieved by simply turning the brace. Dayton Superior wall braces are available in numerous sizes to provide a continuous range of tilt-up panel heights of fifty feet or more. Refer to the table below for additional information.

T14 Tilt-Up Pipe Brace



T14 Tilt-Up Jumbo Brace



Danger! To prevent accidental removal of alignment pin, insert a Dayton Superior Retaining Clip through a hole in the alignment pin, bending the protruding portion of the nail to a 45 degree minimum angle

To Order:

Specify: (1) quantity, (2) name, (3) model.

Example:

200, T14 Tilt-Up Wall Braces. Model B8.

T14 Pipe Brace Selection Chart

New Name	Type	Description	Min Length	Max Length	Ult. Load **** (Lbs)	Brace Wt. (Lbs)
BA0508R	B0	Short Pipe Brace	5'-0"	8'-0"	10,000	60
BA0814R	B1A	Short Pipe Brace	8'-0"	14'-0"	9,750-5,625	87
BA1423R	B4	Heavy Duty Regular Pipe Brace	14'-6"	23'-6"	9,750-2,525	130
BA2239R	B5***	Heavy Duty Long Pipe Brace	22'-6"	30'-10"	8,962-2,025	208
B17R13R	B7	Short Jumbo Brace	16'-3"	17'-9"	13,050	107
B22R9R	B8	Jumbo Brace	21'-3"	22'-9"	9,750	130
B22+5R7R	B9	Jumbo Brace with 5'-0" Ext.	26'-3"	27'-9"	7,200	172
B22+10R5R	B10	Jumbo Brace with 10'-0" Ext.	31'-3"	32'-9"	5,400	193
BA2540R	B11	Tru-Ilt Brace	25'-6"	40'-0"	13,500	505
B32R13R	B12A	Jumbo 5-1/2"	31'-3"	32'-9"	13,500	245
B27R18R	B13**	Jumbo 5-1/2"	26'-3"	27'-9"	18,000	237
B32+10R7R	B14*	B12 Jumbo Brace, 10'-0" Ext.	41'-3"	42'-9"	7,800	382
B32+20R5R	B15*	B12 Jumbo Brace, 20'-0" Ext.	51'-3"	52'-9"	5,700	410
BA32+5R12R	B16	B12 Jumbo Brace, 5'-0" Ext.	36'-3"	37'-9"	12,000	360
B42R19R	B17A	Super Brace	41'-3"	42'-6"	19,000	613
B33R25R	B17S	Jumbo Brace Fixed	32'-3"	33'-6"	25,000	489
B52R19R	B18	Super Brace	50'-6"	52'-2"	19,200	984

- Notes:**
- 1 Field assembly is required for B14 and B15 braces. Fixed length allows for +/-9" of adjustment except B17A brace has +/-7.5" of adjustment and B18 Brace has 11.75" of adjustment on each end. Pipe Extensions: T15 for the B8 model and T20 for the B12 model
 - 2 B13 is Made To Order brace
 - 3 B5 Brace Maximum Length is 39'-0", but a Knee Brace is required over 30'-10"
 - 4 Ultimate Load based on adequate brace to HGA or slab connection.
 - 5 B17A and B18 ultimate load capacity is based on using Two-Hole Foot Plate (Product Code 146283). These braces have ultimate capacity of 14,300 lbs when used with tall Single Hole Foot Plate (Product Code 100068).

T15 Pipe Brace Extensions

The Dayton Superior Pipe Brace Extensions are available for the B8 and B12 pipe brace models. The T15 extension for the B8 model extends the brace five feet or ten foot increments. The T20 extension for the B12A model extends the brace in five or 10 foot increments.

To Order:

Specify: (1) quantity, (2) name, (3) model.

Example:

40, T15 Pipe Brace Extension, 5' extension for B8 braces.

