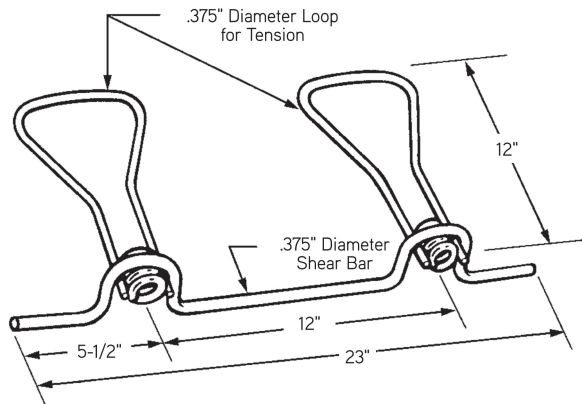
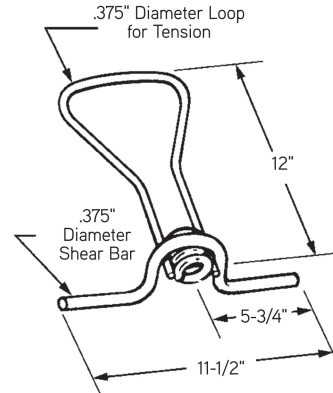


T3 and T3A End Pickup Inserts



T3 End Pickup Insert



T3A End Pickup Insert

T3 and T3A End Pickup Insert Selection Table

Insert Type	Bolt Diameter	Load Condition	4" Panel	5" Panel	5-1/2" Panel	6" Panel	6-1/2" panel	7" Panel	7-1/2" Panel	8" Panel
T3A	3/4" Single	Tension	1,500 lbs.	—	—	—	—	—	—	—
		Shear	1,250 lbs.	—	—	—	—	—	—	—
	1" Single	Tension	—	3,000 lbs.	3,300 lbs.	3,600 lbs.	3,900 lbs.	4,200 lbs.	4,500 lbs.	4,500 lbs.
		Shear	—	1,350 lbs.	1,375 lbs.	1,400 lbs.	1,425 lbs.	1,450 lbs.	1,500 lbs.	1,550 lbs.
T3	3/4" Double	Tension	2,500 lbs.	—	—	—	—	—	—	—
		Shear	1,500 lbs.	—	—	—	—	—	—	—
	1" Double	Tension	—	4,000 lbs.	4,400 lbs.	4,800 lbs.	5,200 lbs.	5,600 lbs.	6,000 lbs.	6,000 lbs.
		Shear	—	2,100 lbs.	2,250 lbs.	2,400 lbs.	2,550 lbs.	2,700 lbs.	2,850 lbs.	3,000 lbs.

Safe working load provides a factor of safety of approximately 4 to 1 in 3,000 psi normal weight concrete.
Safe Working Loads are based on 1/2" setback from face of concrete.

To Order:

Specify: (1) quantity, (2) name, (3) diameter.

Example:

200, T3 End Pickup Inserts, 1" diameter.

Lifting/Handling Inserts and Accessories