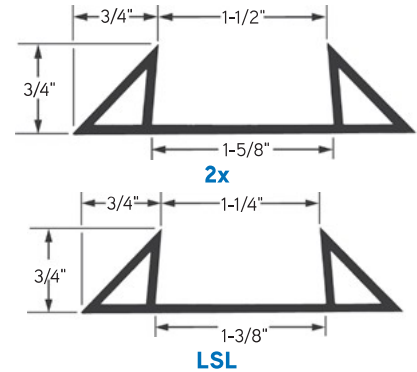


### T58 Double Chamfer Strip

Dayton Superior T58 Double Chamfer Strip is an ideal product for use in forming chamfers on both sides of 2x or LSL form lumber. It is an .062 thick extruded PVC (Polyvinyl Chloride) Plastic available in 8ft lengths.



**To Order:**

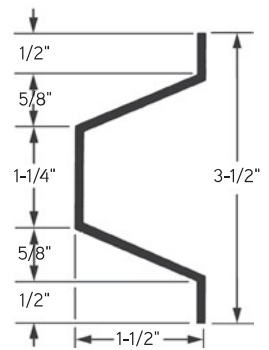
Specify: (1) quantity, (2) name, (3) size.

**Example:**

200 (2,000 linear feet), T58 Double Chamfer Strips, 1-5/8".

### T59 Plastic Keyway

Dayton Superior T59 Plastic Keyway is an extruded plastic keyway for general use on a tilt-up project. Simple to use, just nail to 2x form lumber. Available in 10 ft. lengths.



**To Order:**

Specify: (1) quantity, (2) name.

**Example:**

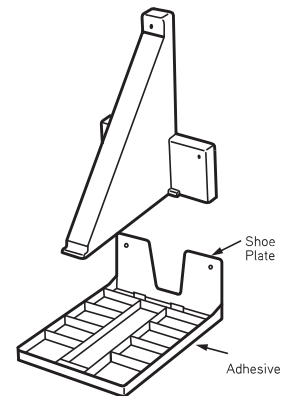
50 (500 linear feet), T59 Plastic Keyway.

### T66 Tilt Bracket™

**Tilt-Up Forming System**

The Tilt Bracket (US Patent #8186645) consists of lightweight, reusable plastic brackets and an adhesive backed shoe plate. The bracket snaps into the shoe plate that is held firmly to the casting slab by the adhesive base.

Brackets come in two sizes 5" for form height 5" to 7" and 7" for form height 7" to 11". Maximum recommended spacing is 18".



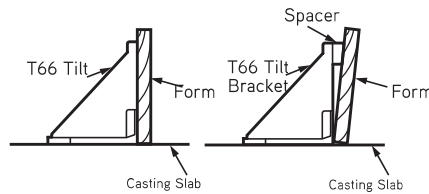
**T66 Tilt Bracket**  
Patent Pending

**To Order:**

Specify: (1) quantity, (2) name, (3) size.

**Example:**

400, T66 Tilt Brackets™, 7" size.



**90° Application**

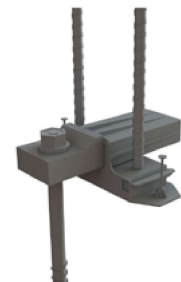
**Battered Application**

### T29 Superior Panel Base Anchor 10K (PBA 10K)

The Dayton Superior Panel Base Anchor is a quick, discrete and durable system engineered for a permanent connection of concrete panels to footings.

Designed to meet vertical integrity requirements for a nominal tensile strength of 10,000 lbs

Replacement parts available.



**PBA 10K**

**To Order:**

Specify: (1) quantity, (2) name.

**Example:**

200, PBA 10K.