



## DOWSIL™ 3363 Insulating Glass Sealant

### Description

Two-part silicone sealant with high strength for use as a secondary seal in insulating glass units.

### Sustainability Attribute:



### Uses / Applications

- DOWSIL™ 3363 Insulating Glass Sealant is a high strength secondary two-part silicone sealant specifically designed for high strength applications, where conventional sealants with lower strength would lead to increased joint sizes. It enables economical joint sizes in highly demanding insulating glass (IG) applications such as: high wind in tall buildings, hurricane loads, cold-bent glass or high impact loads such as bomb blast. Smaller joint dimensions can be filled faster and therefore lead to productivity enhancements.
- DOWSIL™ 3363 Insulating Glass Sealant is ideal as a secondary sealant for triple and double glazed units and meets EN 1279 requirements for gas-filled IG.
- DOWSIL™ 3363 Insulating Glass Sealant can be used in IG applications for structurally glazed facades. It is UV resistant, provides long-term durability and excellent adhesion to glass and IG spacers

### Benefits

- Economical joint sizes in high strength IG applications
- High design strength (0.21 MPa) allowing joint size reduction up to 30%
- Enhanced productivity with reduced joint dimensions
- By European Technical Assessment (ETA13/0359)
- Suitable for gas-filled triple glazed units and gas-filled double glazed units
- Structural capability as secondary sealant for insulating glass in structural glazing applications
- Outstanding adhesion to a wide range of substrates including coated and reflective glasses, aluminum and steel spacers, and a variety of plastics
- Meets EN 1279 part 4 and 6 and EN 13022
- Tested according to EN 15434
- Meets the requirements of CEKAL
- Low water absorption
- Excellent temperature stability: -50°C to 150°C
- Non-corrosive cure
- Fast curing time

## Benefits (Cont.)

- Outstanding resistance to ozone and ultraviolet (UV) radiation
- High modulus which limits the stress on the primary sealant and makes it particularly suited for gas-filled insulating glass units

## Typical Properties

Specification Writers: These values are not intended for use in preparing specifications.

Test <sup>1</sup>	Property	Unit	Result
<b>DOWSIL™ 3363 Insulating Glass Sealant Base: as supplied</b>			
	Color and consistency		White, viscous paste
	Specific gravity		1.38
	Viscosity (60 s <sup>-1</sup> )	Pa·s	170
<b>DOWSIL™ 3363 Insulating Glass Sealant Curing Agent: as supplied</b>			
	Color and consistency		Thick black paste
	Specific gravity		1.05
	Viscosity (60 s <sup>-1</sup> )	Pa·s	7.5
<b>As mixed</b>			
	Color and consistency		Black non-slump paste
	Working time (25°C, 50% R.H.)	minutes	5–10
	Snap time (25°C, 50% R.H.)	minutes	10–30
	Specific gravity		1.33
	Corrosiveness		Non-corrosive
ISO 8339	Tensile strength	MPa	1.5
EN 1279-6	Durometer hardness, Shore A		60
EAD 090010-00-0404	Design stress in tension	MPa	0.21
	Design stress in static shear	MPa	0.011
	Elastic modulus in tension or compression	MPa	4.8
EN 1279-4	Water vapor permeability (2.0 mm film)	g/m <sup>2</sup> /24h	18
EN 1279-4	Gas permeability	g/(m <sup>2</sup> h)	0.46

1. ISO: International Standardization Organization  
EN: European Norm  
EAD : European Technical Assessment

## Description

DOWSIL™ 3363 Insulating Glass Sealant is a two-part, neutral curing silicone formulation for insulating glass applications.

## Technical Specifications and Standards

DOWSIL™ 3363 Insulating Glass Sealant is suitable as secondary seal in gas-filled insulating glass units and meets the requirements according to EN 1279 in an IG system. It is suitable for gas-filled triple and double glazed IG. As valid for any other technology, a proper application and fabrication of the insulating glass unit is required.

DOWSIL™ 3363 Insulating Glass Sealant is CE-marked according to EAD 090010-00-0404. The product also meets requirements according to EN 1279 parts 4 and 6.

**Technical Specifications and Standards**

Meets the requirements of CEKAL.



RAL Quality Label 520/2-3

Regulation or protocol	Conclusion	Version of regulation or protocol
French VOC régulations	A+	Regulation of March and May 2011 (DEVL1101903D and DEVL1104875A)
French CMR components	Pass	Regulation of April and May 2009 (DEVP0908633A and DEVP0910046A)
AgBB/ABG	Pass	Anforderungen an bauliche Anlagen bezoglich des Gesundheitsschutzes (ABG), Entwurf 31.08.2017/August 2018 (AgBB)
Belgian Regulation	Pass	Royal decree of May 2014 (C-2014/24239)
EMICODE	EC 1 Plus	April 2019
Indoor Air Comfort	Pass	Indoor Air Comfort 6.0 of February 2017
Indoor Air Comfort GOLD	Pass	Indoor Air Comfort GOLD 6.0 of February 2017
BREEAM International	Compliant	BREEAM International New Construction v2.0 (2016)
BREEAM Norway	Pass	BREEAM-NOR New Construction v1.2 (2019)
CDPH	Pass	
M1	Pass	

**How to Use**

**Mixing and Dispensing Instructions**

DOWSIL™ 3363 Insulating Glass Sealant should be mixed in a ratio of 10:1 base to curing agent by weight. At this mix ratio, the sealant typically exhibits a working time of 5–10 minutes and allows units to be handled within two hours. Slight variations in mixing ratio can be tolerated, but these should not exceed 11:1 to 9:1 by weight to ensure minimum properties are obtained.

The sealant is compatible with most of DOWSIL™ neutral curing sealants. Please contact our technical services department for more information.

To achieve the best mechanical properties of DOWSIL™ 3363 Insulating Glass Sealant, it is recommended that the base and curing agent are thoroughly mixed using an airless mixing system found on most existing commercially available two-part silicone dispensing machines.

**How to Use (Cont.)****Equipment Cleaning**

When not being used it is recommended that the dispensing equipment be purged either with the uncatalyzed base, or flushed with a suitable solvent such as DOWSIL™ 3522 Cleaning Solvent Concentrated. If cured sealant has built up inside the equipment it is recommended to flush the equipment for the appropriate time with DOWSIL™ 3522 Cleaning Solvent Concentrated. This solvent dissolves cured silicone sealant and provides optimum cleaning performance.

**Handling  
Precautions**

PRODUCT SAFETY INFORMATION REQUIRED FOR SAFE USE IS NOT INCLUDED IN THIS DOCUMENT. BEFORE HANDLING, READ PRODUCT AND SAFETY DATA SHEETS AND CONTAINER LABELS FOR SAFE USE, PHYSICAL AND HEALTH HAZARD INFORMATION. THE SAFETY DATA SHEET IS AVAILABLE ON THE DOW WEBSITE AT DOW.COM, OR FROM YOUR DOW SALES APPLICATION ENGINEER, OR DISTRIBUTOR, OR BY CALLING DOW CUSTOMER SERVICE.

**Usable Life and  
Storage**

When stored at or below 30°C, DOWSIL™ 3363 Insulating Glass Sealant Curing Agent has a usable life of 14 months from the date of production.

When stored at or below 30°C, DOWSIL™ 3363 Insulating Glass Sealant Base has a usable life of 14 months from the date of production.

**Packaging  
Information**

Lot matching of DOWSIL™ 3363 Insulating Glass Sealant Base and DOWSIL™ 3363 Insulating Glass Sealant Curing Agent is not required. DOWSIL™ 3363 Insulating Glass Sealant Base is available in 250 kg drums. DOWSIL™ 3363 Insulating Glass Sealant Catalyst is available in 25 kg pails.

**Limitations**

The sealant cannot be used for structural glazing of glass units onto a metal frame. DOWSIL™ 993 SG Sealant is the recommended product for that application. Please contact Dow to get the proper glazing recommendations when using coated glass.

This product is neither tested nor represented as suitable for medical or pharmaceutical uses.

**Health and  
Environmental  
Information**

To support customers in their product safety needs, Dow has an extensive Product Stewardship organization and a team of product safety and regulatory compliance specialists available in each area.

For further information, please see our website, [dow.com](http://dow.com) or consult your local Dow representative.

**Disposal  
Considerations**

Dispose in accordance with all local, state (provincial) and federal regulations. Empty containers may contain hazardous residues. This material and its container must be disposed in a safe and legal manner.

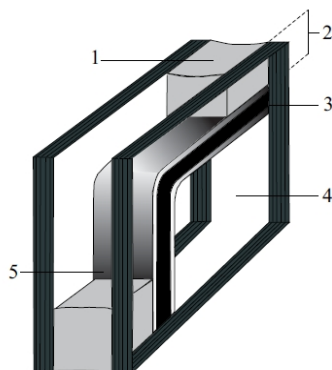
It is the user's responsibility to verify that treatment and disposal procedures comply with local, state (provincial) and federal regulations. Contact your Dow Technical Representative for more information.

## Product Stewardship

Dow has a fundamental concern for all who make, distribute, and use its products, and for the environment in which we live. This concern is the basis for our product stewardship philosophy by which we assess the safety, health, and environmental information on our products and then take appropriate steps to protect employee and public health and our environment. The success of our product stewardship program rests with each and every individual involved with Dow products - from the initial concept and research, to manufacture, use, sale, disposal, and recycle of each product.

## Customer Notice

Dow strongly encourages its customers to review both their manufacturing processes and their applications of Dow products from the standpoint of human health and environmental quality to ensure that Dow products are not used in ways for which they are not intended or tested. Dow personnel are available to answer your questions and to provide reasonable technical support. Dow product literature, including safety data sheets, should be consulted prior to use of Dow products. Current safety data sheets are available from Dow.



### Legend

1. Secondary seal (DOWSIL™ 3363 Insulating Glass Sealant)
2. Secondary seal - sealant depth
3. Primary seal – polyisobutylene
4. Glass
5. Spacer bar

**Figure 1:** Typical section of a dual sealed insulating glass unit.

dow.com

**NOTICE:** No freedom from infringement of any patent owned by Dow or others is to be inferred. Because use conditions and applicable laws may differ from one location to another and may change with time, Customer is responsible for determining whether products and the information in this document are appropriate for Customer's use and for ensuring that Customer's workplace and disposal practices are in compliance with applicable laws and other government enactments. The product shown in this literature may not be available for sale and/or available in all geographies where Dow is represented. The claims made may not have been approved for use in all countries. Dow assumes no obligation or liability for the information in this document. References to "Dow" or the "Company" mean the Dow legal entity selling the products to Customer unless otherwise expressly noted. NO WARRANTIES ARE GIVEN; ALL IMPLIED WARRANTIES OF MERCHANTABILITY OR FITNESS FOR A PARTICULAR PURPOSE ARE EXPRESSLY EXCLUDED.



©™ Trademark of The Dow Chemical Company ("Dow") or an affiliated company of Dow  
DOWSIL™ 3363 Insulating Glass Sealant  
© 2017–2025 The Dow Chemical Company. All rights reserved.