

Outsulation[®] MD System[®]



**An Exterior Wall Insulation and Finish System with
Engineered Moisture Drainage that Incorporates
Continuous Insulation and an Air/Water-Resistive Barrier**

DS167

Outsulation MD System Installation Details

Table of Contents

Detail

| | |
|--------------------------------|---------|
| OUTSULATION MD SYSTEM | OMD 1 |
| BUILDING FACADE | OMD 2 |
| DRYVIT VENT ASSEMBLY™ | OMD 3 |
| INSULATION BOARD | OMD 4 |
| INSULATION BOARD LAYOUT | OMD 5 |
| AWRB APPLICATION | OMD 6 |
| OPENING PREPARATION- | OMD 7 |
| AQUAFLASH® SYSTEM OR | |
| EXOAIR 230 WITH MESH | |
| OPENING PREPARATION- | OMD 7a |
| DYMONIC 100/BACKSTOP® | |
| FLASH AND FILL OPTION | |
| OPENING PREPARATION- | OMD 8 |
| BACKSTOP® NTX™ OPTION | |
| OPENING FLASHING INTEGRATION | OMD 9 |
| OPENING FLASHING INTEGRATION - | OMD 9a |
| DYMONIC 100/BACKSTOP® | |
| FLASH AND FILL OPTION OPTION | |
| INSIDE/OUTSIDE CORNERS | OMD 10 |
| INSIDE/OUTSIDE CORNERS- | OMD 10a |
| DYMONIC 100/BACKSTOP® | |
| FLASH AND FILL OPTION OPTION | |
| OUTSIDE CORNER - HIGH IMPACT | OMD 11 |
| GRADE TERMINATION | OMD 12 |
| TERMINATION AT CONCRETE CURB | OMD 13 |
| TERMINATION AT | OMD 14 |
| ADA COMPLIANT SIDEWALK | |
| TERMINATION AT | OMD 14a |
| ADA COMPLIANT SIDEWALK- | |
| TREMCO OPTION | |
| EPS PREPARATION AT | OMD 15 |
| WALL PENETRATIONS | |
| STOREFRONT WINDOW SILL - JAMB | OMD 16 |
| STOREFRONT WINDOW HEAD | OMD 17 |
| TERMINATION AT | OMD 18 |
| WOOD FRAMED DECK | |

Detail

| | |
|--------------------------------|---------|
| TERMINATION AT | OMD 19 |
| WATERPROOF DECK | |
| PREPARATION AT PARAPET/ | OMD 20 |
| WALL INTERSECTION | |
| TERMINATION AT PARAPET - | OMD 21 |
| CAP FLASHING | |
| TERMINATION AT FLAT ROOF - | OMD 22 |
| SOLID SUBSTRATE | |
| TERMINATION AT SLOPED ROOF | OMD 23 |
| VERTICAL WALL/ SUSPENDED | OMD 24 |
| SOFFIT TRANSITION | |
| TRANSITION AT SOFFIT/ | OMD 25 |
| FASCIA INTERSECTION | |
| FASCIA/ UNINSULATED SOFFIT | OMD 26 |
| TRANSITION | |
| TERMINATION AT | OMD 27 |
| UNINSULATED SOFFIT VENT | |
| HORIZONTAL JOINT AT SLIP TRACK | OMD 28 |
| HORIZONTAL JOINT - | OMD 29 |
| SUBSTRATE CHANGE | |
| HORIZONTAL TERMINATION | OMD 30 |
| AT STONE VENEER | |
| HORIZONTAL TERMINATION | OMD 31 |
| AT LAP SIDING | |
| VERTICAL EXPANSION JOINT - | OMD 32 |
| EIFS | |
| THROUGH-WALL EXPANSION JOINT | OMD 33 |
| THROUGH-WALL EXPANSION JOINT- | OMD 33a |
| DYMONIC SIMPLE SEAL OPTION | |
| VERTICAL EXPANSION JOINT - | OMD 34 |
| FLUSH AND RECESSED OPTIONS | |
| VERTICAL EXPANSION JOINT - | OMD 35 |
| DOUBLE SEAL OPTION | |
| VERTICAL TERMINATION | OMD 36 |
| AT STONE VENEER | |
| PENETRATIONS | OMD 37 |
| SIGN ATTACHMENT | OMD 38 |
| AESTHETIC REVEALS | OMD 39 |
| RECESSED GRAPHICS | OMD 40 |
| PROJECTING GRAPHICS | OMD 41 |

NOTE:

DRYVIT AND TREMCO MAKES NO REPRESENTATION REGARDING CONFORMITY OF ITS SUGGESTIONS TO MODEL BUILDING CODES, ENGINEERING CRITERIA, SPECIFIC APPLICATIONS, OR PROJECT LOCATIONS. ALL COMPONENTS INDICATED IN ILLUSTRATIONS, AS WELL AS OTHERS THAT MAY BE REQUIRED FOR THE INTEGRITY OF THE SYSTEM SHALL BE DESIGNED, DETAILED, AND ENGINEERED BY REPRESENTATIVES OF THE ARCHITECT, OWNER, OR CONTRACTOR TO BE IN CONFORMANCE WITH MODEL CODES, ARCHITECTURAL, AND ENGINEERING REQUIREMENTS PERTAINING TO SPECIFIC BUILDING PROJECTS.

DRYVIT AND TREMCO MAKE NO WARRANTY, EXPRESSED OR IMPLIED, AS TO THE ARCHITECTURAL DESIGN, ENGINEERING, OR WORKMANSHIP OF PROJECTS UTILIZING DRYVIT SYSTEMS OR PRODUCTS.

THE LIABILITIES OF DRYVIT AND TREMCO SHALL BE AS STATED IN THE DRYVIT STANDARD WARRANTY. CONTACT DRYVIT AND TREMCO FOR A FULL AND COMPLETE COPY OF THE WARRANTY.

The architecture, engineering, and design of the project using the Dryvit and Tremco products are the responsibility of the project's design professional. All products and systems must comply with local building codes and standards. This detail is for general information and guidance only and Dryvit and Tremco specifically disclaims any liability for the use of this detail. The project design professional determines, in its sole discretion, whether this detail or a functionally equivalent detail is best suited for the project. This detail is subject to change without notice. Contact Dryvit and Tremco to ensure you have the most recent version.

Outsulation® MD System®



Dryvit Technical Support: 800-556-7752

Detail: Table of Contents

Drawn by: KAB

Checked by: CB

Scale: NTS

Date: 1/2022

File Name:

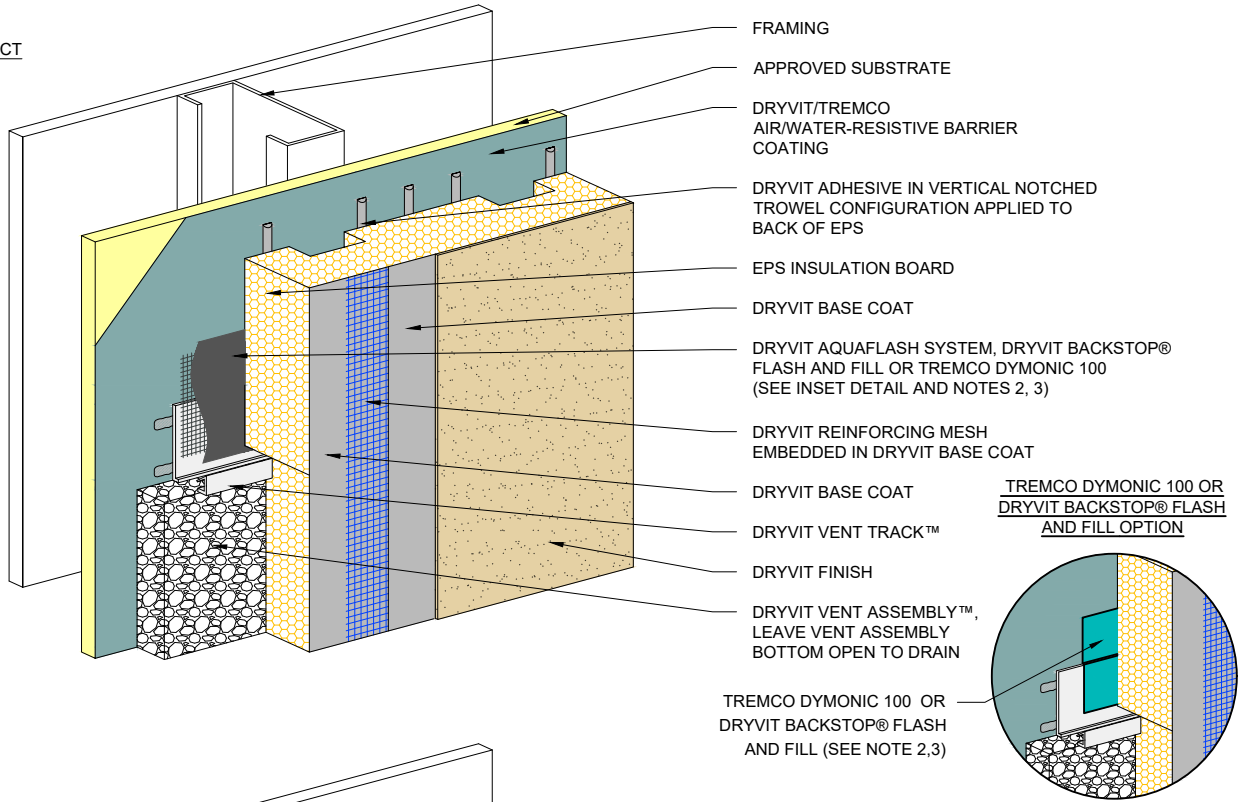
TOC



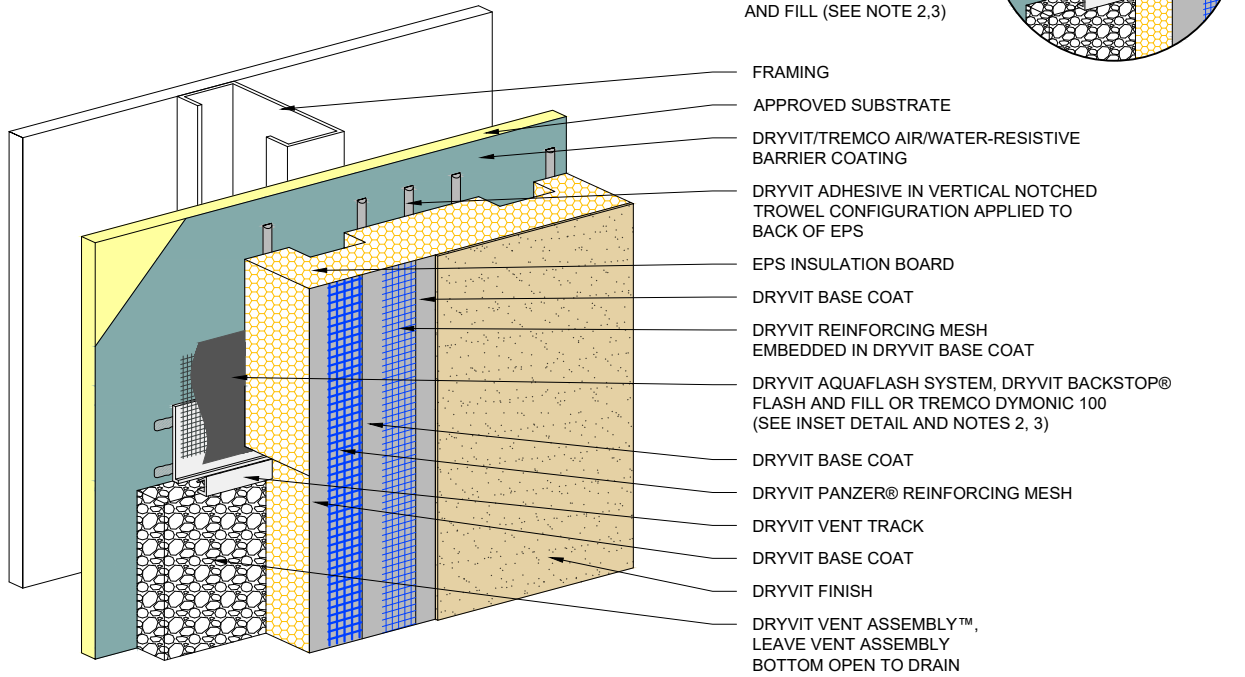
Construction Products Group

www.tremcocpg.com

NORMAL IMPACT



HIGH IMPACT



NOTE:

1. DRYVIT RECOMMENDS THAT GROUND FLOOR APPLICATIONS AND ALL FACADES EXPOSED TO ABNORMAL STRESS, HIGH TRAFFIC, OR DELIBERATE IMPACT HAVE THE BASE COAT REINFORCED WITH PANZER® MESH PRIOR TO STANDARD™ OR STANDARD PLUS™ MESH. LOCATION OF HIGH IMPACT ZONES SHOULD BE INDICATED ON CONTRACT DRAWINGS.

2. REFER TO PRODUCT DATA SHEETS FOR SPECIFIC APPLICATION METHODS.

3. THE ONLY WRB TO BE USED WITH BACKSTOP® FLASH AND FILL IS BACKSTOP® NTX™.

The architecture, engineering, and design of the project using the Dryvit and Tremco products are the responsibility of the project's design professional. All products and systems must comply with local building codes and standards. This detail is for general information and guidance only and Dryvit and Tremco specifically disclaims any liability for the use of this detail. The project design professional determines, in its sole discretion, whether this detail or a functionally equivalent detail is best suited for the project. This detail is subject to change without notice. Contact Dryvit and Tremco to ensure you have the most recent version.

Outsulation® MD System®



Dryvit Technical Support: 800-556-7752

Detail: Outsulation MD System

Drawn by: KAB

Checked by: CB

Scale: NTS

Date: 1/2022

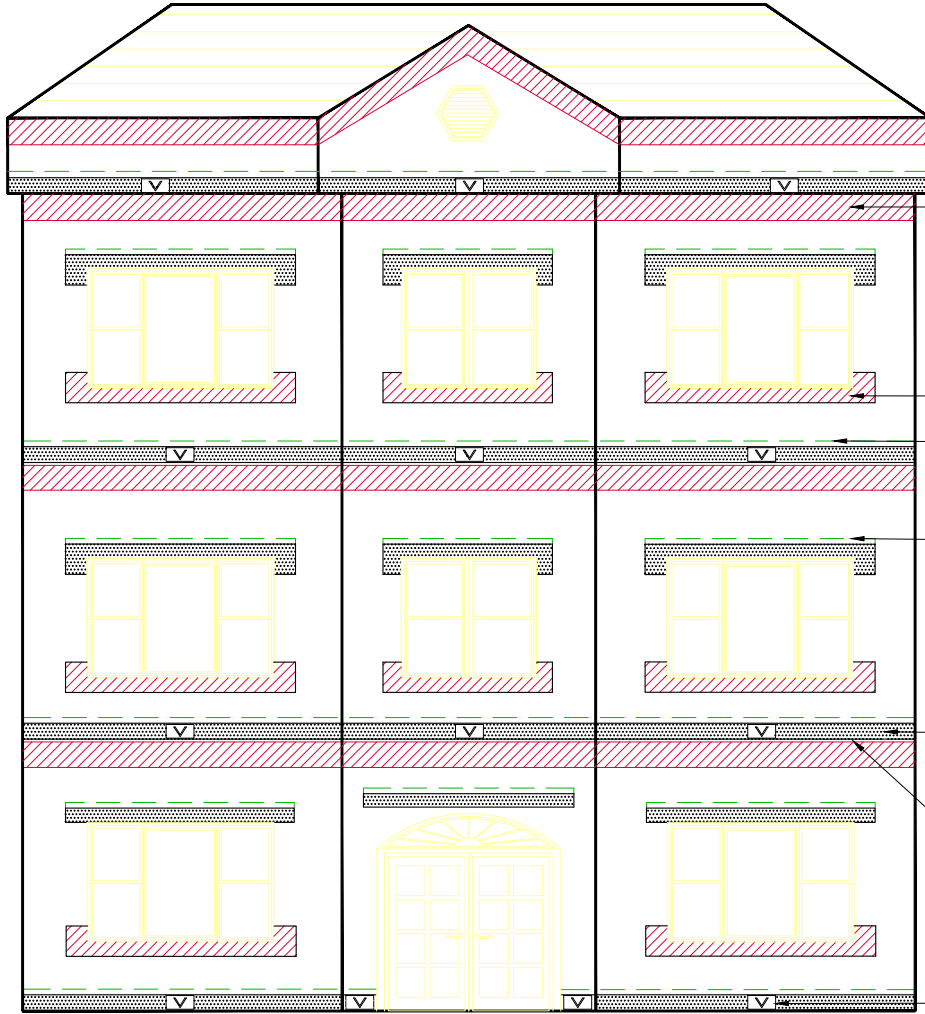
File Name:

OMD 1



Construction Products Group

www.tremcoapg.com



12" (305 MM) DRYVIT CLOSURE BLOCKS

DRYVIT CLOSURE BLOCKS

DRYVIT VENT TRACK™ (SEE NOTE 1)

DRYVIT TRACK™ (NO VENT HOLES)
OVER 6" (152 MM) DRYVIT STARTER STRIP™

DRYVIT STARTER STRIP

FLOORLINE EXPANSION JOINT
(WHEN SPECIFIED)

DRYVIT VENT ASSEMBLY™,
LEAVE VENT ASSEMBLY
BOTTOM OPEN TO DRAIN

NOTE:
1. SLOT IN DRYVIT VENT TRACK MUST BE
POSITIONED OVER DRYVIT VENT ASSEMBLY.

The architecture, engineering, and design of the project using the Dryvit and Tremco products are the responsibility of the project's design professional. All products and systems must comply with local building codes and standards. This detail is for general information and guidance only and Dryvit and Tremco specifically disclaims any liability for the use of this detail. The project design professional determines, in its sole discretion, whether this detail or a functionally equivalent detail is best suited for the project. This detail is subject to change without notice. Contact Dryvit and Tremco to ensure you have the most recent version.

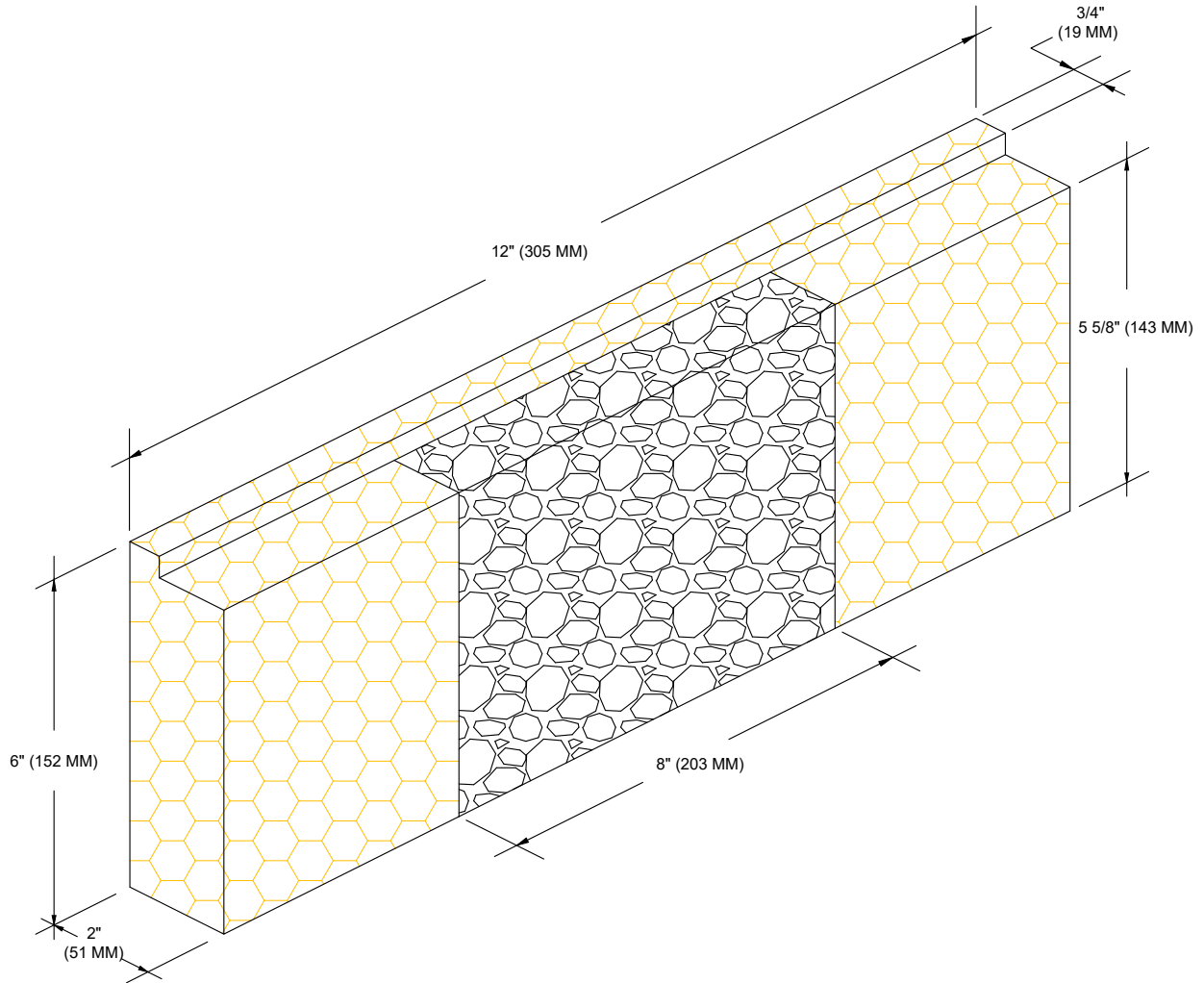
Outsulation® MD System®



Dryvit Technical Support: 800-556-7752

| | | | | |
|-------------------------|----------------|------------|--------------|------------|
| Detail: Building Facade | | | | File Name: |
| Drawn by: KAB | Checked by: CB | Scale: NTS | Date: 1/2022 | OMD 2 |
| www.tremcoapg.com | | | | |





The architecture, engineering, and design of the project using the Dryvit and Tremco products are the responsibility of the project's design professional. All products and systems must comply with local building codes and standards. This detail is for general information and guidance only and Dryvit and Tremco specifically disclaims any liability for the use of this detail. The project design professional determines, in its sole discretion, whether this detail or a functionally equivalent detail is best suited for the project. This detail is subject to change without notice. Contact Dryvit and Tremco to ensure you have the most recent version.

Outsulation® MD System®



Dryvit Technical Support: 800-556-7752

Detail: Dryvit Vent Assembly

Drawn by: KAB

Checked by: CB

Scale: NTS

Date: 1/2022

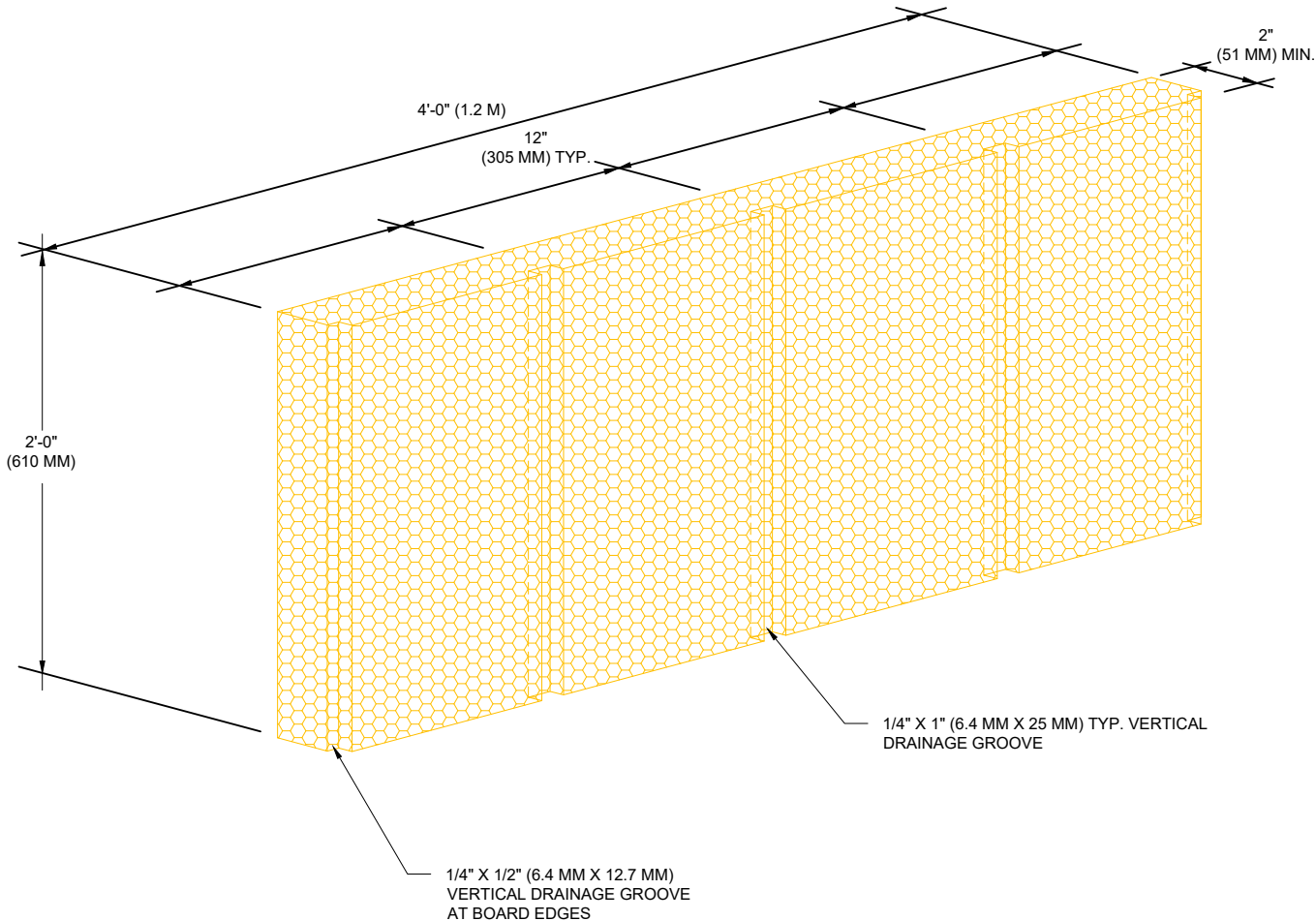
File Name:

OMD 3





Construction Products Group

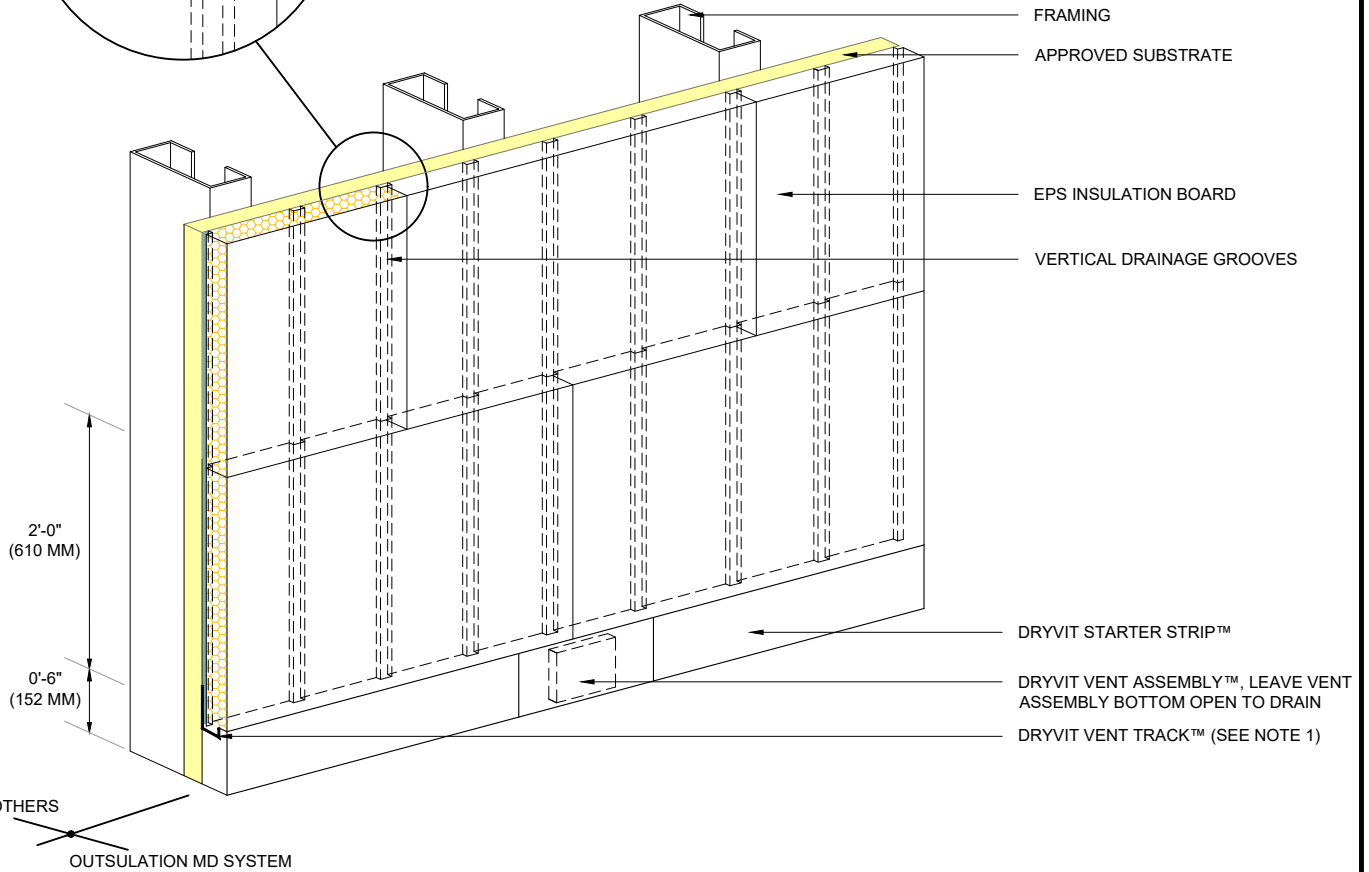
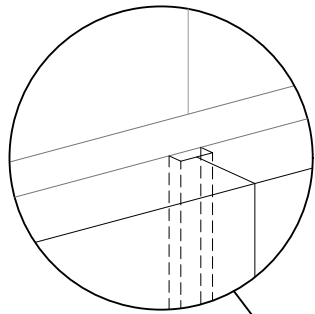
www.tremcocpg.com



The architecture, engineering, and design of the project using the Dryvit and Tremco products are the responsibility of the project's design professional. All products and systems must comply with local building codes and standards. This detail is for general information and guidance only and Dryvit and Tremco specifically disclaims any liability for the use of this detail. The project design professional determines, in its sole discretion, whether this detail or a functionally equivalent detail is best suited for the project. This detail is subject to change without notice. Contact Dryvit and Tremco to ensure you have the most recent version.

Outsulation® MD System®

| | | | | | |
|---|--------------------------|----------------|------------|--------------|--|
|  Dryvit Technical Support: 800-556-7752 | Detail: Insulation Board | | | File Name: |  Construction Products Group |
| | Drawn by: KAB | Checked by: CB | Scale: NTS | Date: 1/2022 | |
| www.tremcocpg.com | | | | | |



NOTE:
1. SLOT IN DRYVIT VENT TRACK MUST BE POSITIONED OVER DRYVIT VENT ASSEMBLY.

The architecture, engineering, and design of the project using the Dryvit and Tremco products are the responsibility of the project's design professional. All products and systems must comply with local building codes and standards. This detail is for general information and guidance only and Dryvit and Tremco specifically disclaims any liability for the use of this detail. The project design professional determines, in its sole discretion, whether this detail or a functionally equivalent detail is best suited for the project. This detail is subject to change without notice. Contact Dryvit and Tremco to ensure you have the most recent version.

Outsulation® MD System®



Dryvit Technical Support: 800-556-7752

Detail: Insulation Board Layout

Drawn by: KAB

Checked by: CB

Scale: NTS

Date: 1/2022

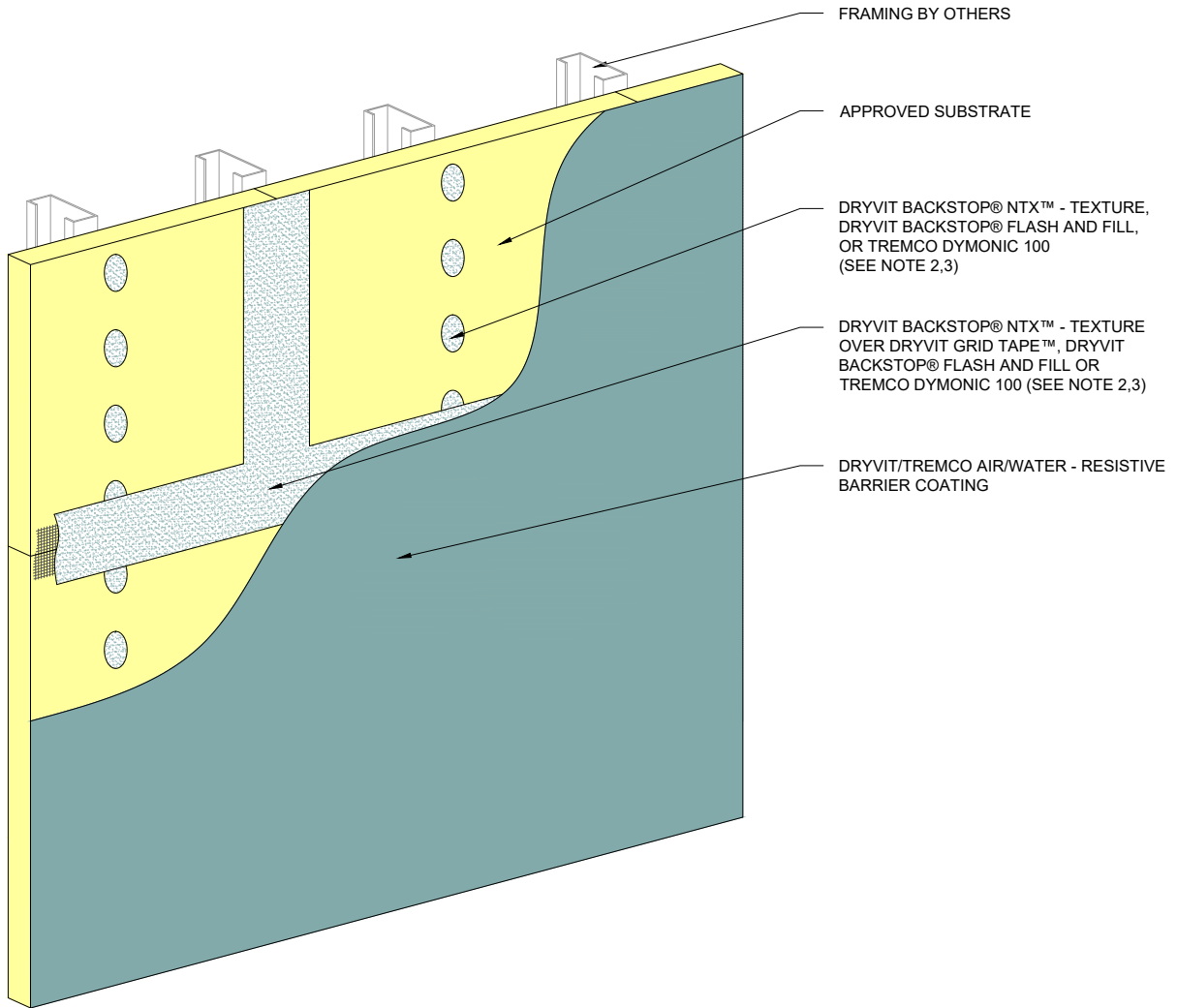
File Name:

OMD 5



Construction Products Group

www.tremcocpg.com



NOTE:

1. FOR ADDITIONAL BACKSTOP® NTX™ DETAILS, REFER TO DRYVIT PUBLICATION DS840.

2. REFER TO PRODUCT DATA SHEETS FOR SPECIFIC APPLICATION METHODS.

3. THE ONLY WRB TO BE USED WITH BACKSTOP® FLASH AND FILL IS BACKSTOP® NTX™.

The architecture, engineering, and design of the project using the Dryvit and Tremco products are the responsibility of the project's design professional. All products and systems must comply with local building codes and standards. This detail is for general information and guidance only and Dryvit and Tremco specifically disclaims any liability for the use of this detail. The project design professional determines, in its sole discretion, whether this detail or a functionally equivalent detail is best suited for the project. This detail is subject to change without notice. Contact Dryvit and Tremco to ensure you have the most recent version.

Outsulation® MD System®



Dryvit Technical Support: 800-556-7752

Detail: Dryvit/Tremco AWRB Application

Drawn by: KAB

Checked by: CB

Scale: NTS

Date: 1/2022

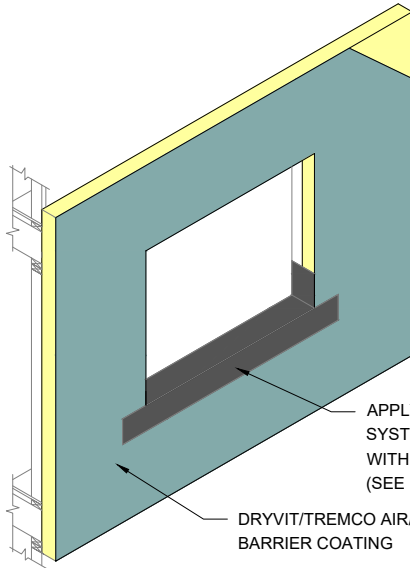
File Name:

OMD 6



Construction Products Group

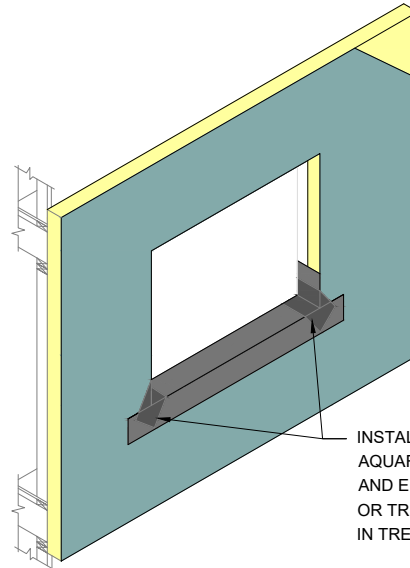
www.tremcocpg.com



APPLY DRYVIT AQUAFLASH® SYSTEM OR TREMCO EXOAIR 230 WITH TREMCO 2011 MESH (SEE NOTE 1)

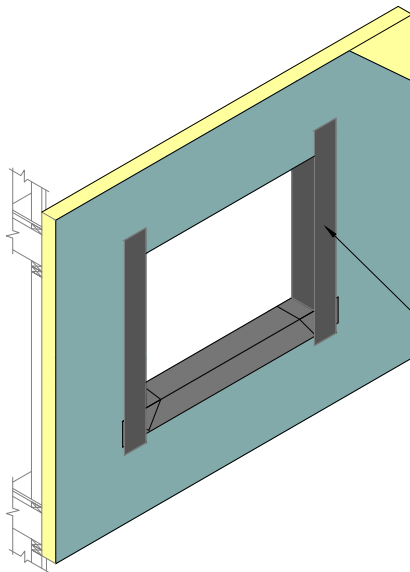
DRYVIT/TREMCO AIR/WATER-RESISTIVE BARRIER COATING

STEP #1



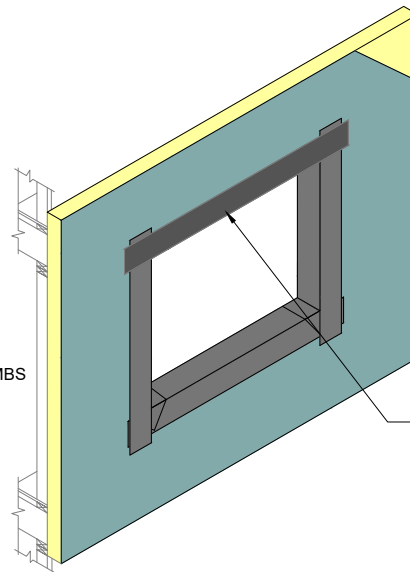
INSTALL DIAGONAL STRIP OF DRYVIT AQUAFLASH MESH AT CORNERS AND EMBED IN AQUAFLASH LIQUID OR TREMCO 2011 MESH EMBEDDED IN TREMCO EXOAIR 230 (SEE NOTE 1)

STEP #2



INSTALL DRYVIT AQUAFLASH SYSTEM OR TREMCO EXOAIR 230 WITH TREMCO 2011 MESH AT JAMBS (SEE NOTES 1 AND 3)

STEP #3



INSTALL DRYVIT AQUAFLASH SYSTEM OR TREMCO EXOAIR 230 WITH TREMCO 2011 MESH AT HEADS (SEE NOTES 1, 3)

STEP #4

NOTE:

1. DRYVIT AQUAFLASH AND TREMCO EXOAIR 230 WITH MESH SHALL EXTEND TO INTERIOR FACE OF OPENING.

2. REFER TO HEAD, SILL AND JAMB DETAILS FOR FLASHING INTEGRATION.

3. INSTALL WINDOW UNIT AND ASSOCIATED FLASHINGS PER MANUFACTURER'S RECOMMENDATIONS, CODE REQUIREMENTS AND PROJECT DOCUMENTS.

4. REFER TO PRODUCT DATA SHEETS FOR SPECIFIC APPLICATION METHODS.

5. FOR ADDITIONAL BACKSTOP® NTX™ DETAILS, REFER TO DRYVIT PUBLICATION DS840.

The architecture, engineering, and design of the project using the Dryvit and Tremco products are the responsibility of the project's design professional. All products and systems must comply with local building codes and standards. This detail is for general information and guidance only and Dryvit and Tremco specifically disclaims any liability for the use of this detail. The project design professional determines, in its sole discretion, whether this detail or a functionally equivalent detail is best suited for the project. This detail is subject to change without notice. Contact Dryvit and Tremco to ensure you have the most recent version.

Outsulation® MD System®



Dryvit Technical Support: 800-556-7752

Detail: Opening Preparation-Aquaflash® System or Tremco Exoair 230 with Mesh Option

Drawn by: KAB

Checked by: CB

Scale: NTS

Date: 1/2022

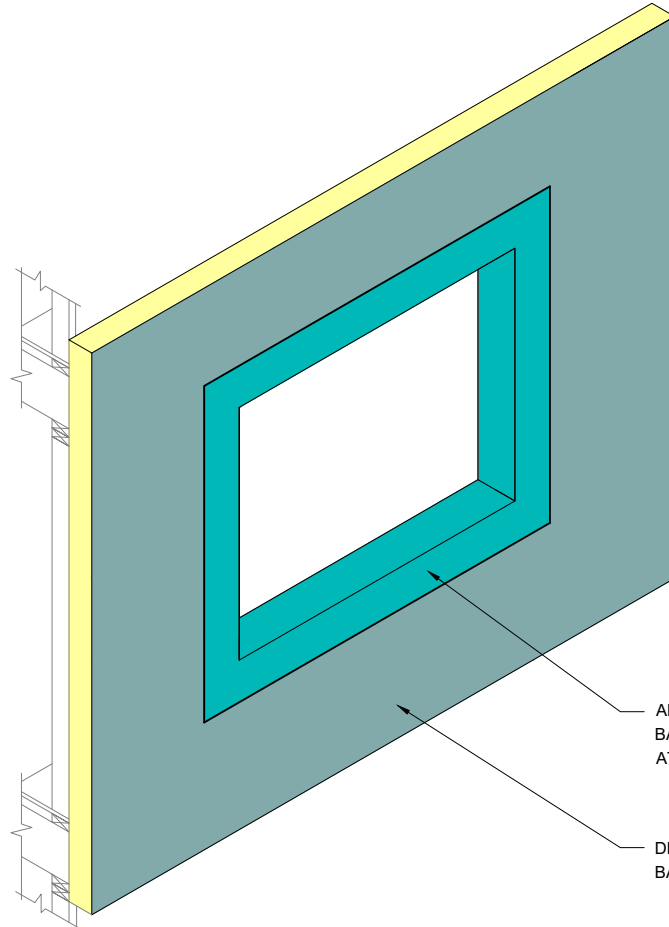
File Name:

OMD 7



Construction Products Group

www.tremcocpg.com



APPLY TREMCO DYMONIC 100 OR DRYVIT BACKSTOP® FLASH AND FILL AT HEADS, SILLS AND JAMBS (SEE NOTES 1, 2, 3)

DRYVIT/TREMCO AIR/WATER - RESISTIVE BARRIER COATING

NOTE:

1. REFER TO HEAD, SILL AND JAMB DETAILS FOR FLASHING INTEGRATION.

2. REFER TO PRODUCT DATA SHEETS FOR SPECIFIC APPLICATION METHODS.

3. THE ONLY WRB TO BE USED WITH BACKSTOP® FLASH AND FILL IS BACKSTOP® NTX™.

The architecture, engineering, and design of the project using the Dryvit and Tremco products are the responsibility of the project's design professional. All products and systems must comply with local building codes and standards. This detail is for general information and guidance only and Dryvit and Tremco specifically disclaims any liability for the use of this detail. The project design professional determines, in its sole discretion, whether this detail or a functionally equivalent detail is best suited for the project. This detail is subject to change without notice. Contact Dryvit and Tremco to ensure you have the most recent version.

Outsulation® MD System®



Dryvit Technical Support: 800-556-7752

Detail: Opening Preparation - Tremco Dymonic 100 or Dryvit Backstop® Flash and Fill Option

Drawn by: KAB

Checked by: CB

Scale: NTS

Date: 1/2022

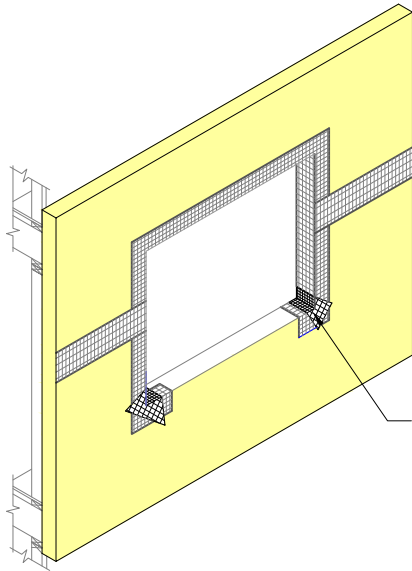
File Name:

OMD 7a



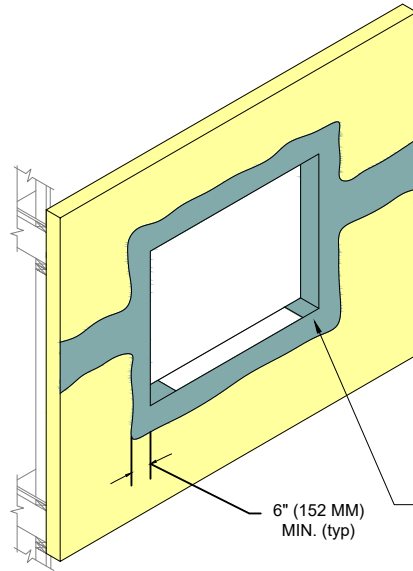
Construction Products Group

www.tremcocpg.com



APPLY DRYVIT GRID TAPE™
(SEE NOTES 1 AND 2)

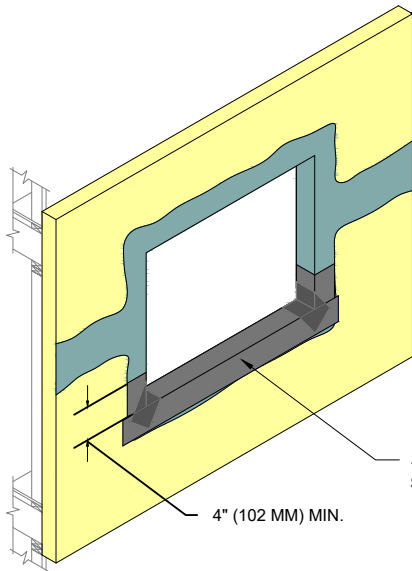
STEP #1



6" (152 MM)
MIN. (typ)

TROWEL APPLY DRYVIT
BACKSTOP® NTX™ - TEXTURE
(SEE NOTE 2)

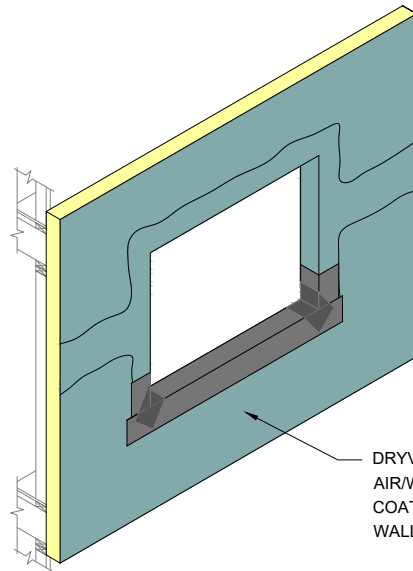
STEP #2



4" (102 MM) MIN.

APPLY DRYVIT AQUAFLASH®
SYSTEM (SEE NOTES 2, 3 AND 5)

STEP #3



DRYVIT/TREMCO
AIR/WATER-RESISTIVE BARRIER
COATING APPLIED TO FACE OF
WALL (SEE NOTE 6)

STEP #4

NOTE:

1. APPLY DRYVIT GRID TAPE ON HEAD, JAMB, AND CORNERS OF OPENINGS AND SHEATHING JOINTS.

2. TROWEL APPLY DRYVIT BACKSTOP® NTX™ - TEXTURE OVER THE DRYVIT GRID TAPE ALL THE WAY TO INSIDE FACE OF OPENING. ALL VOIDS MUST BE FILLED; MULTIPLE PASSES MAY BE REQUIRED. AS AN OPTION, DRYVIT GRID TAPE AND DRYVIT BACKSTOP® NTX™ - TEXTURE MAY ALSO BE APPLIED AT THE SILL PRIOR TO DRYVIT AQUAFLASH SYSTEM.

3. INSTALL WINDOW UNIT AND ASSOCIATED FLASHINGS PER MANUFACTURER'S RECOMMENDATIONS, CODE REQUIREMENTS AND PROJECT DOCUMENTS.

4. REFER TO HEAD, SILL, AND JAMB DETAILS FOR FLASHING INTEGRATION.

5. FOR ADDITIONAL BACKSTOP® NTX™ DETAILS, REFER TO DRYVIT PUBLICATION DS840.

The architecture, engineering, and design of the project using the Dryvit and Tremco products are the responsibility of the project's design professional. All products and systems must comply with local building codes and standards. This detail is for general information and guidance only and Dryvit and Tremco specifically disclaims any liability for the use of this detail. The project design professional determines, in its sole discretion, whether this detail or a functionally equivalent detail is best suited for the project. This detail is subject to change without notice. Contact Dryvit and Tremco to ensure you have the most recent version.

Outsulation® MD System®



Dryvit Technical Support: 800-556-7752

Detail: Opening Preparation-Backstop® NTX™ Option

Drawn by: KAB

Checked by: CB

Scale: NTS

Date: 1/2022

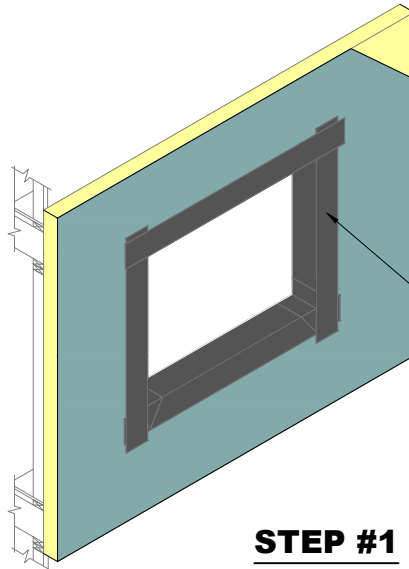
File Name:

OMD 8



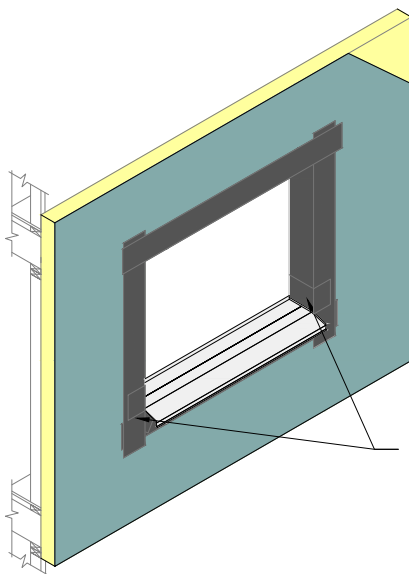
Construction Products Group

www.tremcocpg.com



REFER TO OMD 7 AND OMD 8 FOR PREPARATION OF OPENING PRIOR TO FLASHING INSTALLATION

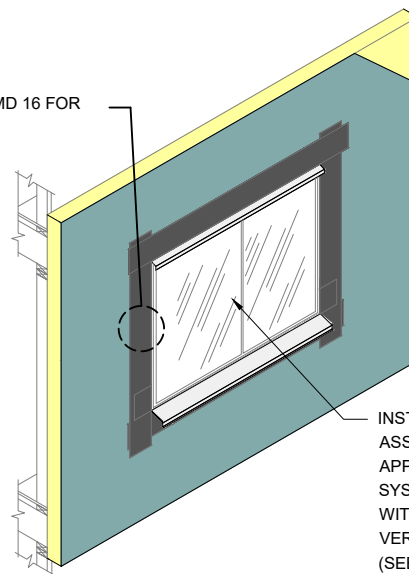
STEP #1



APPLY DRYVIT AQUAFLASH® SYSTEM OR TREMCO EXOAIR 230 WITH TREMCO 2011 MESH SPLICES LAPPING OVER LIP OF SILL PAN FLASHING. (SEE NOTE 1)

STEP #2

REFER TO OMD 16 FOR JAMB DETAIL



INSTALL WINDOW UNIT AND ASSOCIATED FLASHINGS AND APPLY DRYVIT AQUAFLASH SYSTEM OR TREMCO EXOAIR 230 WITH TREMCO 2011 MESH OVER VERTICAL LEG OF FLASHING (SEE NOTE 1)

STEP #3

NOTE:

1. REFER TO OMD 16 FOR INTEGRATION OF FLASHING.

2. FOR ADDITIONAL BACKSTOP® NTX™ DETAILS, REFER TO DRYVIT PUBLICATION DS840.

The architecture, engineering, and design of the project using the Dryvit and Tremco products are the responsibility of the project's design professional. All products and systems must comply with local building codes and standards. This detail is for general information and guidance only and Dryvit and Tremco specifically disclaims any liability for the use of this detail. The project design professional determines, in its sole discretion, whether this detail or a functionally equivalent detail is best suited for the project. This detail is subject to change without notice. Contact Dryvit and Tremco to ensure you have the most recent version.

Outsulation® MD System®



Dryvit Technical Support: 800-556-7752

Detail: Opening Flashing Integration- Dryvit AquaFlash® or Tremco ExoAir230 Option

Drawn by: KAB

Checked by: CB

Scale: NTS

Date: 1/2022

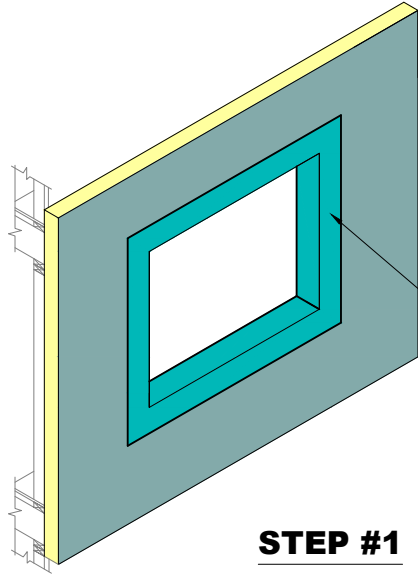
File Name:

OMD 9



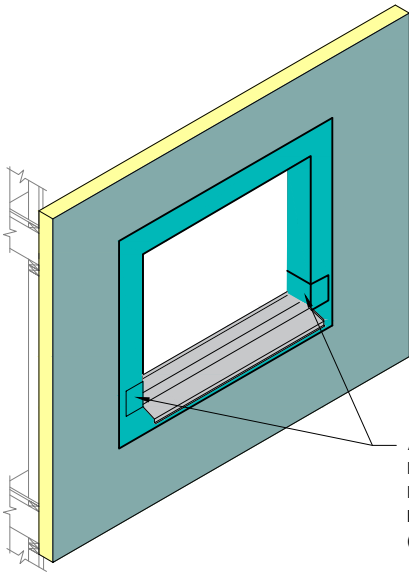
Construction Products Group

www.tremcocpg.com



STEP #1

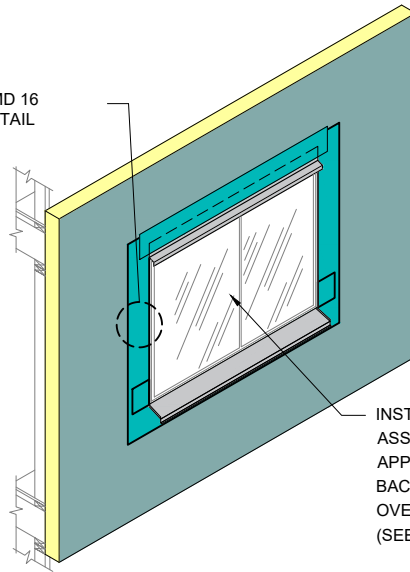
REFER TO OMD 7a FOR PREPARATION OF OPENING PRIOR TO FLASHING INSTALLATION



STEP #2

APPLY DYMONIC 100 OR DRYVIT BACKSTOP® FLASH AND FILL LAPPING OVER LIP OF SILL PAN FLASHING. (SEE NOTES 1, 2, 3)

REFER TO OMD 16 FOR JAMB DETAIL



STEP #3

INSTALL WINDOW UNIT AND ASSOCIATED FLASHINGS AND APPLY DYMONIC 100 OR DRYVIT BACKSTOP® FLASH AND FILL OVER VERTICAL LEG OF FLASHING (SEE NOTES 1, 2, 3)

NOTE:

1. REFER TO OMD 16 FOR INTEGRATION OF FLASHING.
2. REFER TO PRODUCT DATA SHEETS FOR SPECIFIC APPLICATION METHODS.
3. THE ONLY WRB TO BE USED WITH BACKSTOP® FLASH AND FILL IS BACKSTOP® NTX™.

The architecture, engineering, and design of the project using the Dryvit and Tremco products are the responsibility of the project's design professional. All products and systems must comply with local building codes and standards. This detail is for general information and guidance only and Dryvit and Tremco specifically disclaims any liability for the use of this detail. The project design professional determines, in its sole discretion, whether this detail or a functionally equivalent detail is best suited for the project. This detail is subject to change without notice. Contact Dryvit and Tremco to ensure you have the most recent version.

Outsulation® MD System®



Dryvit Technical Support: 800-556-7752

Detail: Opening Flashing Intergration - Tremco Dymonic 100 or Backstop® Flash & Fill Option

Drawn by: KAB

Checked by: CB

Scale: NTS

Date: 1/2022

File Name:

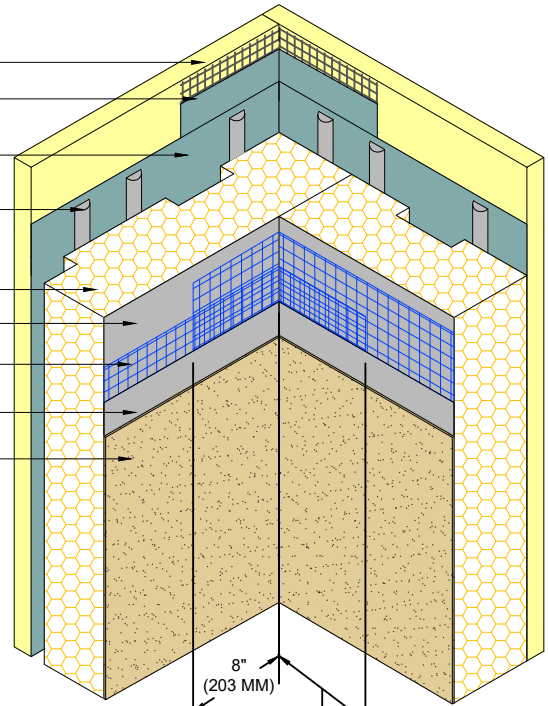
OMD 9a



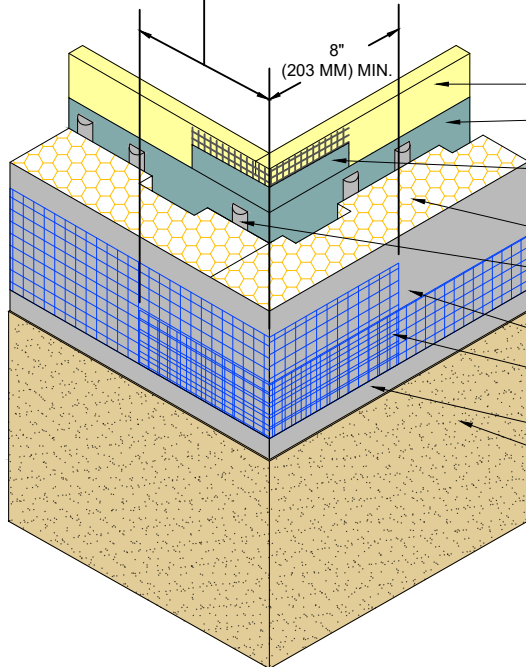
Construction Products Group

www.tremcocpg.com

APPROVED SUBSTRATE
 DRYVIT BACKSTOP® NTX™ - TEXTURE OVER DRYVIT GRID TAPE™
 DRYVIT/TREMCO AIR/WATER-RESISTIVE BARRIER COATING
 DRYVIT ADHESIVE IN VERTICAL NOTCHED TROWEL CONFIGURATION APPLIED TO BACK OF EPS
 EPS INSULATION
 DRYVIT BASE COAT
 DRYVIT REINFORCING MESH EMBEDDED IN DRYVIT BASE COAT
 DRYVIT BASE COAT
 DRYVIT FINISH



MUST OVERLAP 8" (203 MM) MIN. (SEE NOTES 2, 3 AND 4)



APPROVED SUBSTRATE
 DRYVIT/TREMCO AIR/WATER-RESISTIVE BARRIER COATING
 DRYVIT BACKSTOP® NTX™ - TEXTURE OVER DRYVIT GRID TAPE OR TREMCO EXOAIR 230 WITH TREMCO 2011 MESH
 EPS INSULATION
 DRYVIT ADHESIVE IN VERTICAL NOTCHED TROWEL CONFIGURATION APPLIED TO BACK OF EPS
 DRYVIT BASE COAT
 DRYVIT REINFORCING MESH EMBEDDED IN DRYVIT BASE COAT
 DRYVIT BASE COAT
 DRYVIT FINISH

MUST OVERLAP 8" (203 MM) MIN. SEE NOTE 3

NOTE:
 1. DRYVIT RECOMMENDS THAT GROUND FLOOR APPLICATIONS AND ALL FACADES EXPOSED TO ABNORMAL STRESS, HIGH TRAFFIC, OR DELIBERATE IMPACT HAVE THE BASE COAT REINFORCED WITH PANZER® MESH PRIOR TO STANDARD™ OR STANDARD PLUS™ MESH. LOCATION OF HIGH IMPACT ZONES SHOULD BE INDICATED ON CONTRACT DRAWINGS.

2. DOUBLE WRAP OUTSIDE CORNERS WITH REINFORCING MESH OR USE CORNER MESH™.
 3. DO NOT LAP REINFORCING MESH WITHIN 8" (203 MM) OF A CORNER.
 4. OUTSIDE INSULATION BOARD EDGES SHALL BE OFFSET.

The architecture, engineering, and design of the project using the Dryvit and Tremco products are the responsibility of the project's design professional. All products and systems must comply with local building codes and standards. This detail is for general information and guidance only and Dryvit and Tremco specifically disclaims any liability for the use of this detail. The project design professional determines, in its sole discretion, whether this detail or a functionally equivalent detail is best suited for the project. This detail is subject to change without notice. Contact Dryvit and Tremco to ensure you have the most recent version.

Outsulation® MD System®



Dryvit Technical Support: 800-556-7752

Detail: Inside/Outside Corners

Drawn by: KAB

Checked by: CB

Scale: NTS

Date: 1/2022

File Name:

OMD 10



Construction Products Group

www.tremcocpg.com

APPROVED SUBSTRATE

$\frac{1}{2}$ " x $\frac{1}{2}$ " CANT BEAD OF TREMCO DYMONIC 100. RASP INSULATION BOARD TO ACCOMMODATE AS NEEDED.

DRYVIT/TREMCO AIR/WATER-RESISTIVE BARRIER COATING

DRYVIT ADHESIVE IN VERTICAL NOTCHED TROWEL CONFIGURATION APPLIED TO BACK OF EPS

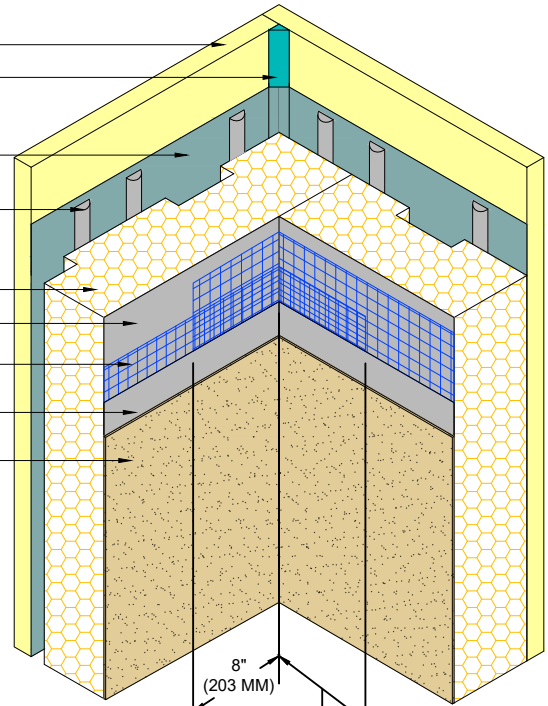
EPS INSULATION

DRYVIT BASE COAT

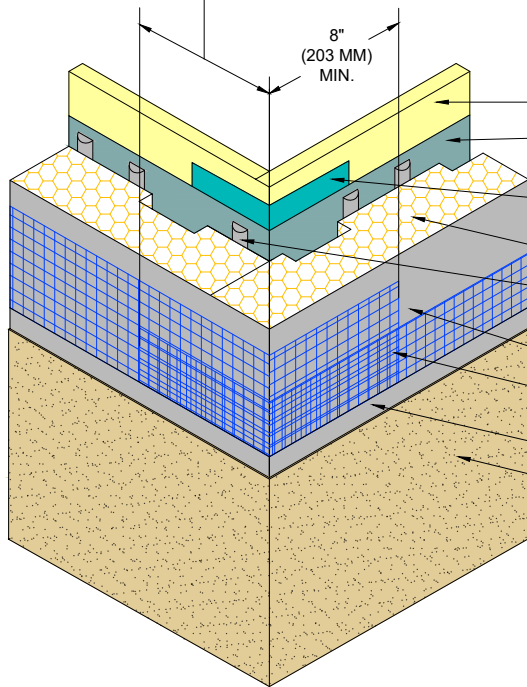
DRYVIT REINFORCING MESH EMBEDDED IN DRYVIT BASE COAT

DRYVIT BASE COAT

DRYVIT FINISH



MUST OVERLAP 8" (203 MM) MIN. (SEE NOTES 2, 3 AND 4)



APPROVED SUBSTRATE

DRYVIT/TREMCO AIR/WATER-RESISTIVE BARRIER COATING

TREMCO DYMONIC 100 OR DRYVIT BACKSTOP® FLASH AND FILL (SEE NOTE 5, 6)

EPS INSULATION

DRYVIT ADHESIVE IN VERTICAL NOTCHED TROWEL CONFIGURATION APPLIED TO BACK OF EPS

DRYVIT BASE COAT

DRYVIT REINFORCING MESH EMBEDDED IN DRYVIT BASE COAT

DRYVIT BASE COAT

DRYVIT FINISH

MUST OVERLAP 8" (203 MM) MIN. SEE NOTE 3

NOTE:

1. DRYVIT RECOMMENDS THAT GROUND FLOOR APPLICATIONS AND ALL FACADES EXPOSED TO ABNORMAL STRESS, HIGH TRAFFIC, OR DELIBERATE IMPACT HAVE THE BASE COAT REINFORCED WITH PANZER® MESH PRIOR TO STANDARD™ OR STANDARD PLUS™ MESH. LOCATION OF HIGH IMPACT ZONES SHOULD BE INDICATED ON CONTRACT DRAWINGS.

2. DOUBLE WRAP OUTSIDE CORNERS WITH REINFORCING MESH OR USE CORNER MESH™.

3. DO NOT LAP REINFORCING MESH WITHIN 8" (203 MM) OF A CORNER.

4. OUTSIDE INSULATION BOARD EDGES SHALL BE OFFSET.

5. REFER TO PRODUCT DATA SHEETS FOR SPECIFIC APPLICATION METHODS.

6. THE ONLY WRB TO BE USED WITH BACKSTOP® FLASH AND FILL IS BACKSTOP® NTX™.

The architecture, engineering, and design of the project using the Dryvit and Tremco products are the responsibility of the project's design professional. All products and systems must comply with local building codes and standards. This detail is for general information and guidance only and Dryvit and Tremco specifically disclaims any liability for the use of this detail. The project design professional determines, in its sole discretion, whether this detail or a functionally equivalent detail is best suited for the project. This detail is subject to change without notice. Contact Dryvit and Tremco to ensure you have the most recent version.

Outsulation® MD System®



Dryvit Technical Support: 800-556-7752

Detail: Inside/Outside Corners- Tremco Dymonic 100 or Backstop® Flash and Fill Option

Drawn by: KAB

Checked by: CB

Scale: NTS

Date: 1/2022

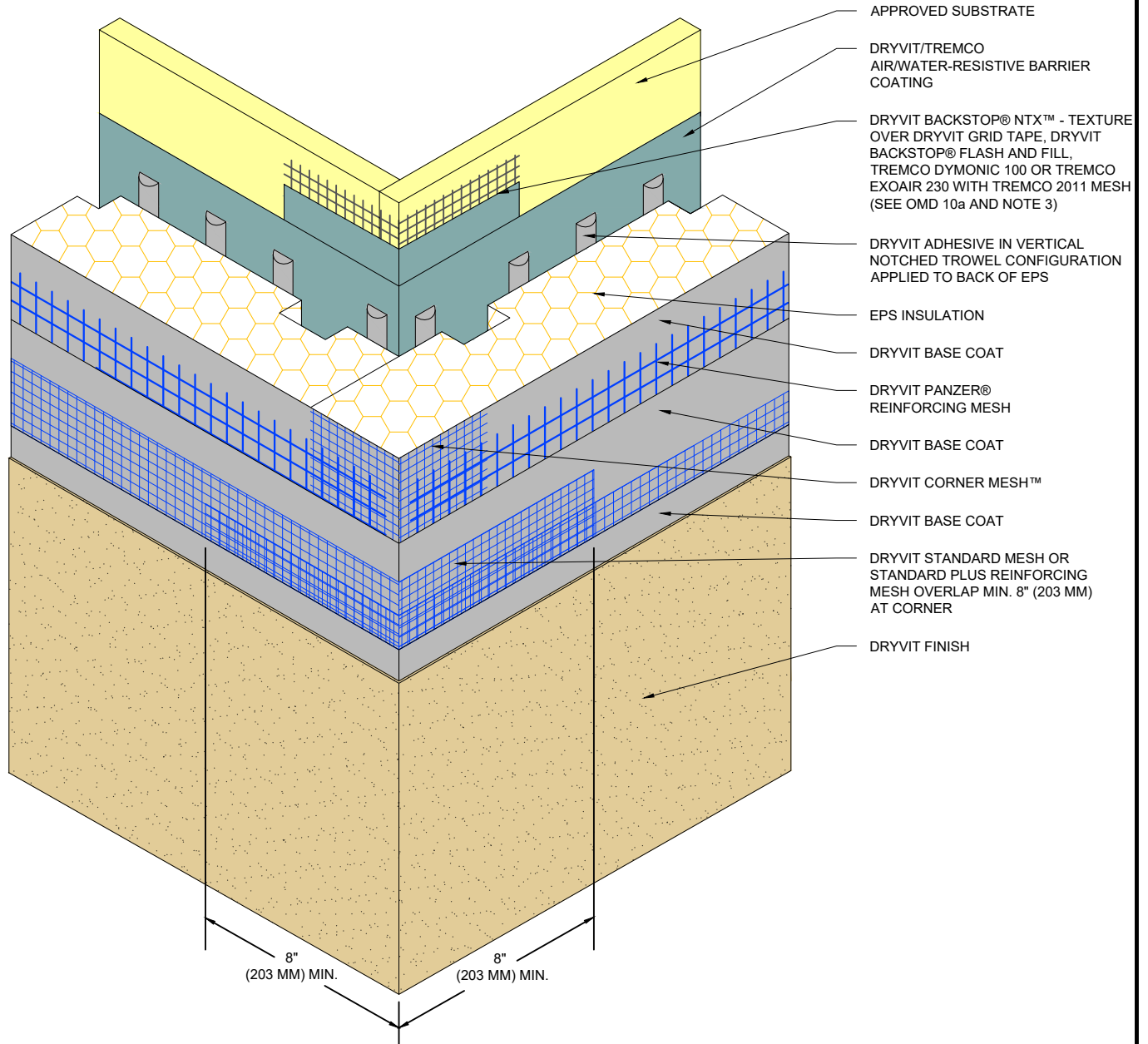
File Name:

OMD 10a



Construction Products Group

www.tremcocpg.com



NOTE:

1. DRYVIT RECOMMENDS THAT GROUND FLOOR APPLICATIONS AND ALL FACADES EXPOSED TO ABNORMAL STRESS, HIGH TRAFFIC, OR DELIBERATE IMPACT HAVE THE BASE COAT REINFORCED WITH PANZER® MESH PRIOR TO STANDARD™ OR STANDARD PLUS™ MESH. LOCATION OF HIGH IMPACT ZONES SHOULD BE INDICATED ON CONTRACT DRAWINGS.

2. OUTSIDE INSULATION BOARD EDGES SHALL BE OFFSET.

3. REFER TO PRODUCT DATA SHEETS FOR SPECIFIC APPLICATION METHODS.

The architecture, engineering, and design of the project using the Dryvit and Tremco products are the responsibility of the project's design professional. All products and systems must comply with local building codes and standards. This detail is for general information and guidance only and Dryvit and Tremco specifically disclaims any liability for the use of this detail. The project design professional determines, in its sole discretion, whether this detail or a functionally equivalent detail is best suited for the project. This detail is subject to change without notice. Contact Dryvit and Tremco to ensure you have the most recent version.

Outsulation® MD System®



Dryvit Technical Support: 800-556-7752

Detail: Outside Corner-High Impact

Drawn by: KAB

Checked by: CB

Scale: NTS

Date: 1/2022

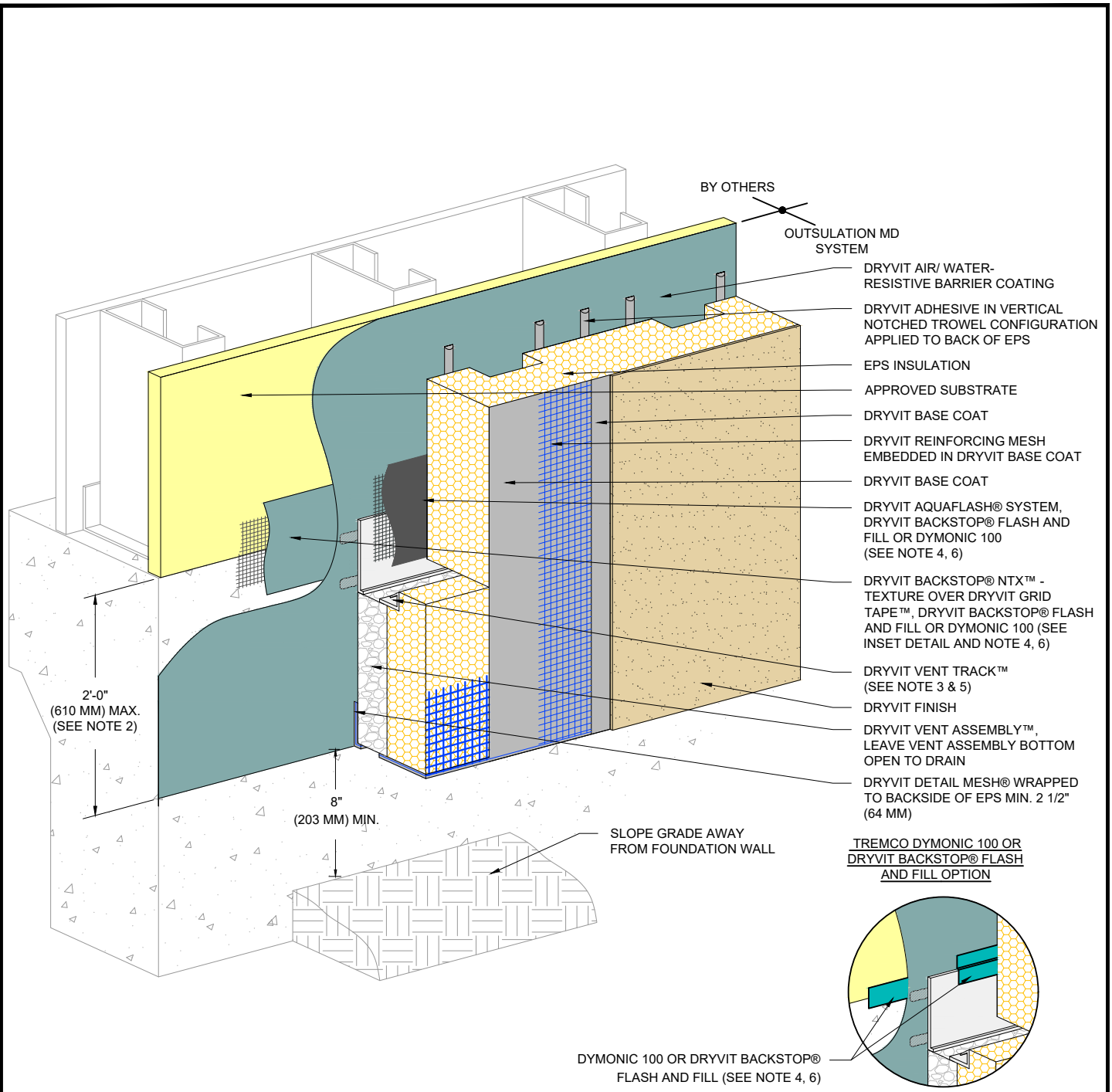
File Name:

OMD 11



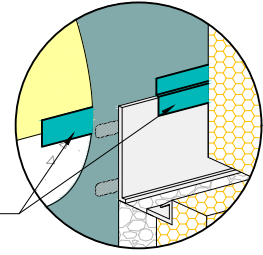
Construction Products Group

www.tremcocpg.com



BY OTHERS
OUTSULATION MD SYSTEM

- DRYVIT AIR/ WATER-RESISTIVE BARRIER COATING
- DRYVIT ADHESIVE IN VERTICAL NOTCHED TROWEL CONFIGURATION APPLIED TO BACK OF EPS
- EPS INSULATION
- APPROVED SUBSTRATE
- DRYVIT BASE COAT
- DRYVIT REINFORCING MESH EMBEDDED IN DRYVIT BASE COAT
- DRYVIT BASE COAT
- DRYVIT AQUAFLASH® SYSTEM, DRYVIT BACKSTOP® FLASH AND FILL OR DYMONIC 100 (SEE NOTE 4, 6)
- DRYVIT BACKSTOP® NTX™ - TEXTURE OVER DRYVIT GRID TAPE™, DRYVIT BACKSTOP® FLASH AND FILL OR DYMONIC 100 (SEE INSET DETAIL AND NOTE 4, 6)
- DRYVIT VENT TRACK™ (SEE NOTE 3 & 5)
- DRYVIT FINISH
- DRYVIT VENT ASSEMBLY™, LEAVE VENT ASSEMBLY BOTTOM OPEN TO DRAIN
- DRYVIT DETAIL MESH® WRAPPED TO BACKSIDE OF EPS MIN. 2 1/2" (64 MM)
- TREMCO DYMONIC 100 OR DRYVIT BACKSTOP® FLASH AND FILL OPTION



DYMONIC 100 OR DRYVIT BACKSTOP® FLASH AND FILL (SEE NOTE 4, 6)

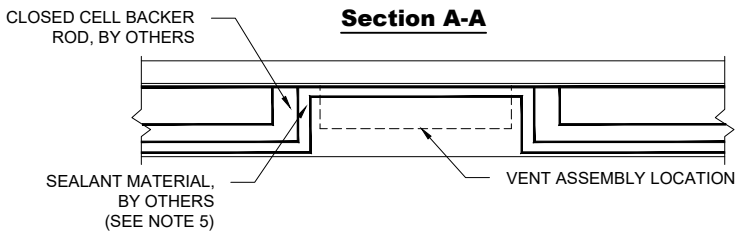
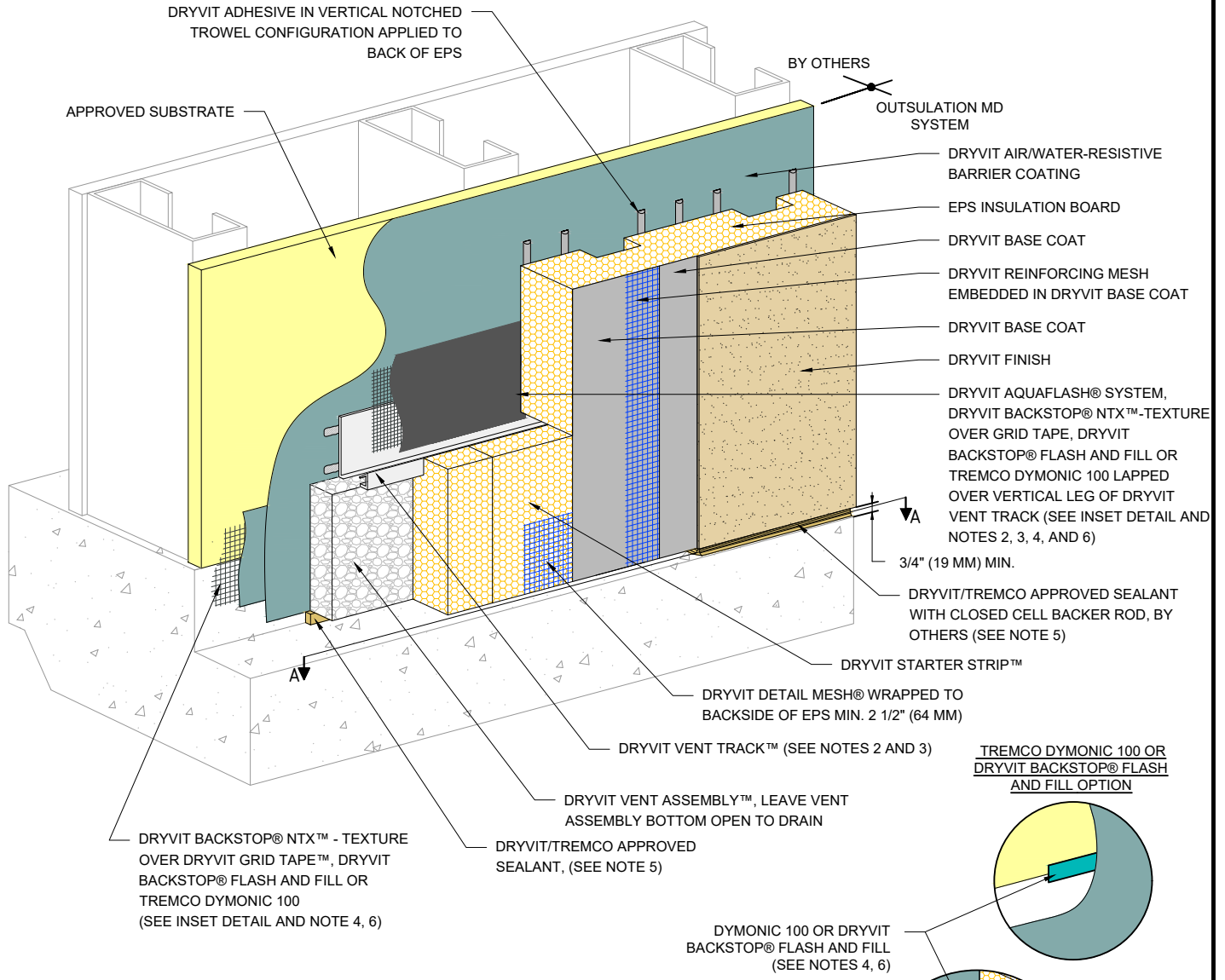
NOTE:
 1. DRYVIT RECOMMENDS THAT GROUND FLOOR APPLICATIONS AND ALL FACADES EXPOSED TO ABNORMAL STRESS, HIGH TRAFFIC, OR DELIBERATE IMPACT HAVE THE BASE COAT REINFORCED WITH PANZER® MESH PRIOR TO STANDARD™ OR STANDARD PLUS™ MESH. LOCATION OF HIGH IMPACT ZONES SHOULD BE INDICATED ON CONTRACT DRAWINGS.
 2. EXPANSION JOINT IS REQUIRED ALONG TOP OF FOUNDATION IF 2'-0" (610 MM) DIMENSION IS EXCEEDED.
 3. SLOT IN VENT TRACK MUST BE POSITIONED OVER DRYVIT VENT ASSEMBLY.

- 4. REFER TO PRODUCT DATA SHEETS FOR SPECIFIC APPLICATION METHODS.
- 5. LIGHTLY SAND SURFACE OF TRACK TO MAXIMIZE ADHESION.
- 6. THE ONLY WRB TO BE USED WITH BACKSTOP® FLASH AND FILL IS BACKSTOP® NTX™.

The architecture, engineering, and design of the project using the Dryvit and Tremco products are the responsibility of the project's design professional. All products and systems must comply with local building codes and standards. This detail is for general information and guidance only and Dryvit and Tremco specifically disclaims any liability for the use of this detail. The project design professional determines, in its sole discretion, whether this detail or a functionally equivalent detail is best suited for the project. This detail is subject to change without notice. Contact Dryvit and Tremco to ensure you have the most recent version.

Outsulation® MD System®

| | | | | | |
|---|---------------------------|----------------|------------|--------------|--|
| <small>Dryvit Technical Support: 800-556-7752</small> | Detail: Grade Termination | | | File Name: | <small>Construction Products Group</small> |
| | Drawn by: KAB | Checked by: CB | Scale: NTS | Date: 1/2022 | |
| <small>www.tremcocpg.com</small> | | | | | |



NOTE:

1. DRYVIT RECOMMENDS THAT GROUND FLOOR APPLICATIONS AND ALL FACADES EXPOSED TO ABNORMAL STRESS, HIGH TRAFFIC, OR DELIBERATE IMPACT HAVE THE BASE COAT REINFORCED WITH PANZER® MESH PRIOR TO STANDARD™ OR STANDARD PLUS™ MESH. LOCATION OF HIGH IMPACT ZONES SHOULD BE INDICATED ON CONTRACT DRAWINGS.

2. LIGHTLY SAND SURFACE OF DRYVIT VENT TRACK TO MAXIMIZE ADHESION.

3. SLOT IN VENT TRACK MUST BE POSITIONED OVER DRYVIT VENT ASSEMBLY.

4. REFER TO PRODUCT DATA SHEETS FOR SPECIFIC APPLICATION METHODS.

5. SEALANT SHALL TURN IN AT DRYVIT VENT ASSEMBLY LOCATIONS (SEE SECTION A-A) TO ALLOW FOR DRAINAGE.

6. THE ONLY WRB TO BE USED WITH BACKSTOP® FLASH AND FILL IS BACKSTOP® NTX™.

The architecture, engineering, and design of the project using the Dryvit and Tremco products are the responsibility of the project's design professional. All products and systems must comply with local building codes and standards. This detail is for general information and guidance only and Dryvit and Tremco specifically disclaims any liability for the use of this detail. The project design professional determines, in its sole discretion, whether this detail or a functionally equivalent detail is best suited for the project. This detail is subject to change without notice. Contact Dryvit and Tremco to ensure you have the most recent version.

Outsulation® MD System®



Dryvit Technical Support: 800-556-7752

Detail: Termination at Concrete Curb

Drawn by: KAB

Checked by: CB

Scale: NTS

Date: 1/2022

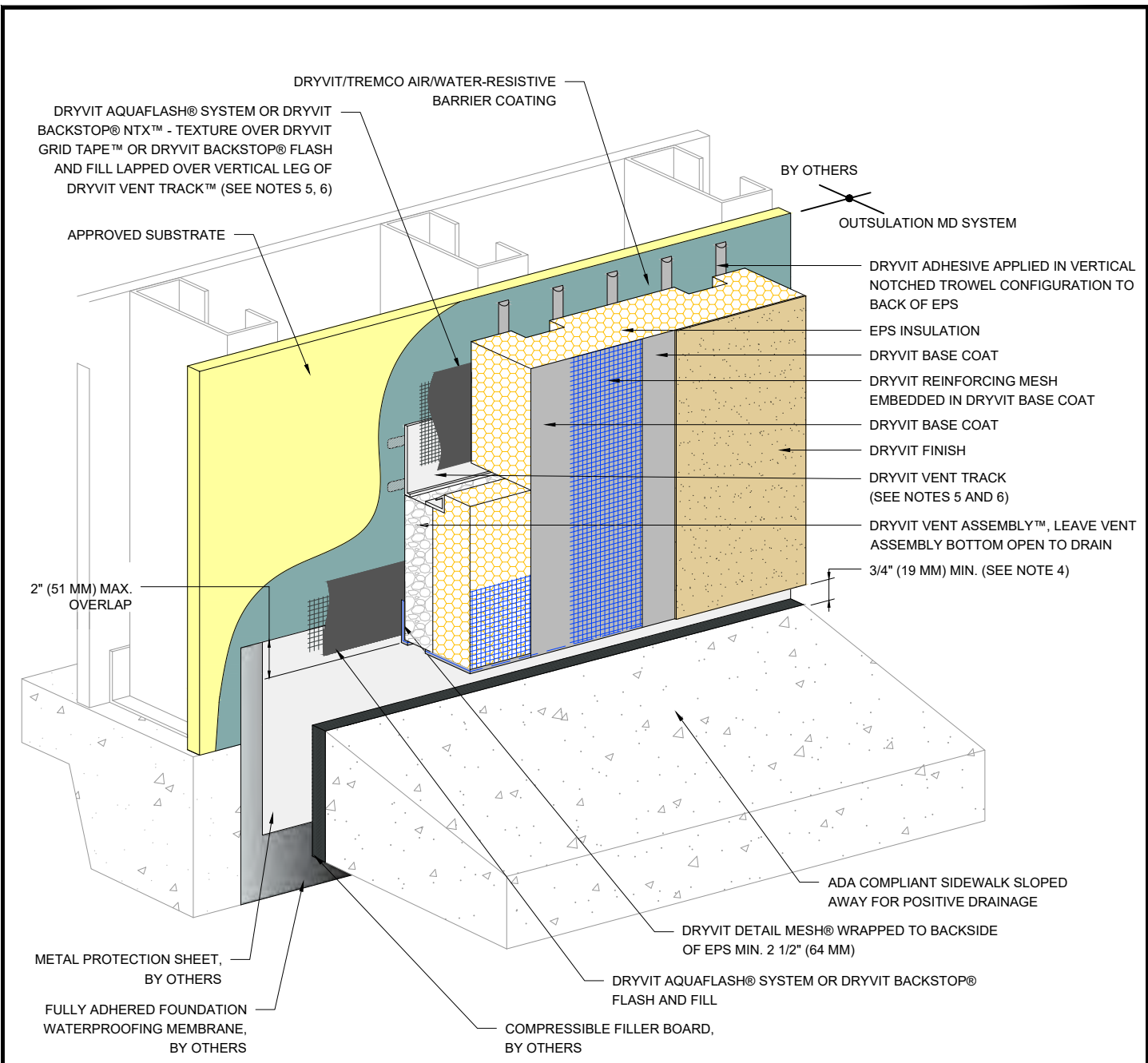
File Name:

OMD 13



Construction Products Group

www.tremcoap.com





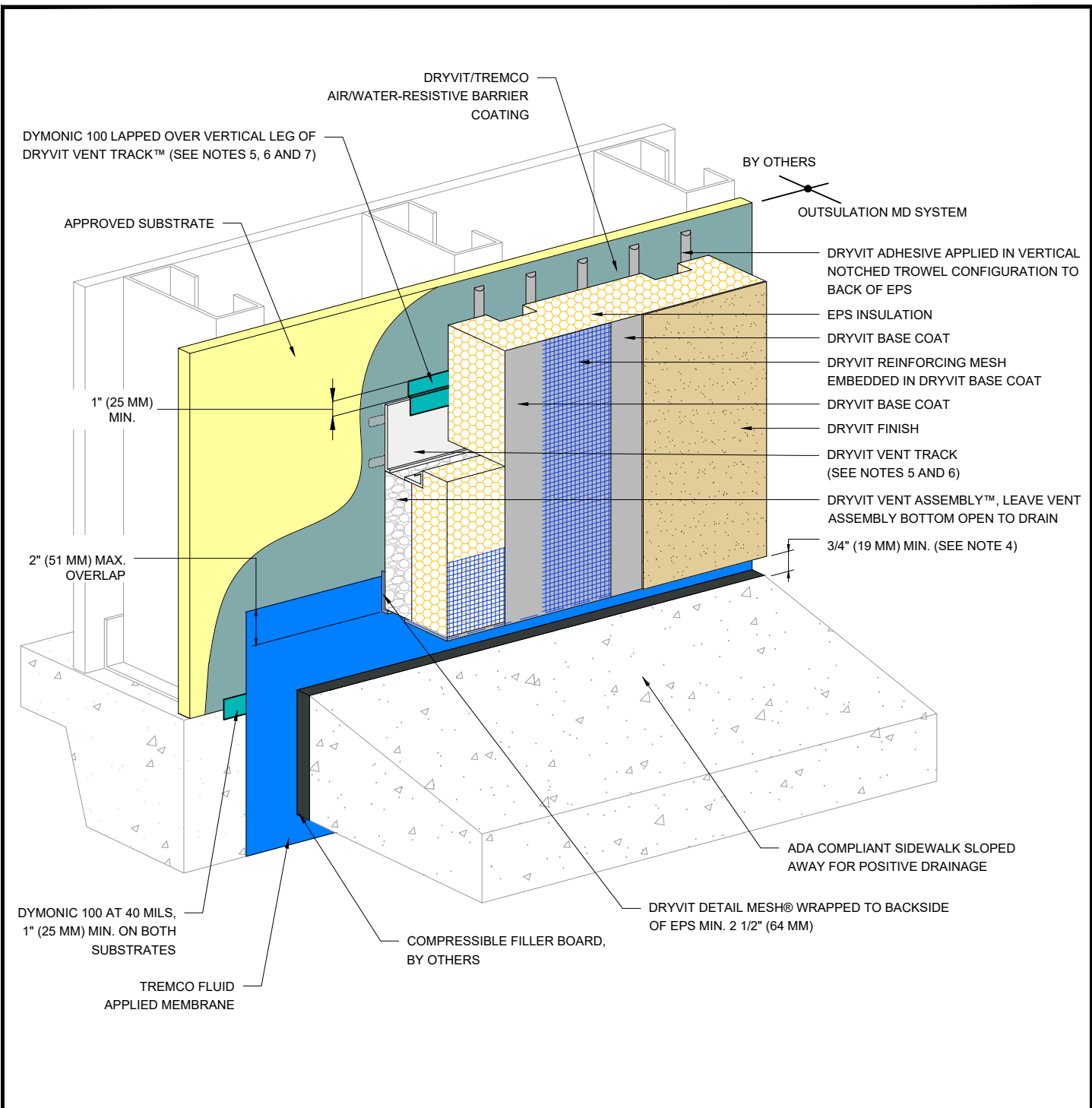
- NOTE:**
1. DRYVIT RECOMMENDS THAT GROUND FLOOR APPLICATIONS AND ALL FACADES EXPOSED TO ABNORMAL STRESS, HIGH TRAFFIC, OR DELIBERATE IMPACT HAVE THE BASE COAT REINFORCED WITH PANZER® MESH PRIOR TO STANDARD™ OR STANDARD PLUS™ MESH. LOCATION OF HIGH IMPACT ZONES SHOULD BE INDICATED ON CONTRACT DRAWINGS.
 2. USE OF THIS DETAIL IS LIMITED TO SLAB-ON-GRADE APPLICATIONS.
 3. INCORPORATE MEASURES TO PROTECT STRUCTURE FROM MOISTURE INTRUSION, DAMPNESS, AND FROST HEAVE.

4. TO PREVENT DEBRIS ACCUMULATION IT IS RECOMMENDED TO TERMINATE SYSTEM 2" (51MM) ABOVE SIDEWALK.
5. LIGHTLY SAND SURFACE OF DRYVIT VENT TRACK TO MAXIMIZE ADHESION.
6. SLOT IN DRYVIT VENT TRACK MUST BE POSITIONED OVER DRYVIT VENT ASSEMBLY.

The architecture, engineering, and design of the project using the Dryvit and Tremco products are the responsibility of the project's design professional. All products and systems must comply with local building codes and standards. This detail is for general information and guidance only and Dryvit and Tremco specifically disclaims any liability for the use of this detail. The project design professional determines, in its sole discretion, whether this detail or a functionally equivalent detail is best suited for the project. This detail is subject to change without notice. Contact Dryvit and Tremco to ensure you have the most recent version.

Outsulation® MD System®

| | | | | | |
|---|---|----------------|------------|--------------|--|
|  <p>Dryvit Technical Support: 800-556-7752</p> | Detail: Termination at ADA Compliant Sidewalk | | | File Name: |  <p>Construction Products Group</p> |
| | Drawn by: KAB | Checked by: CB | Scale: NTS | Date: 1/2022 | |
| www.tremcocpg.com | | | | | |





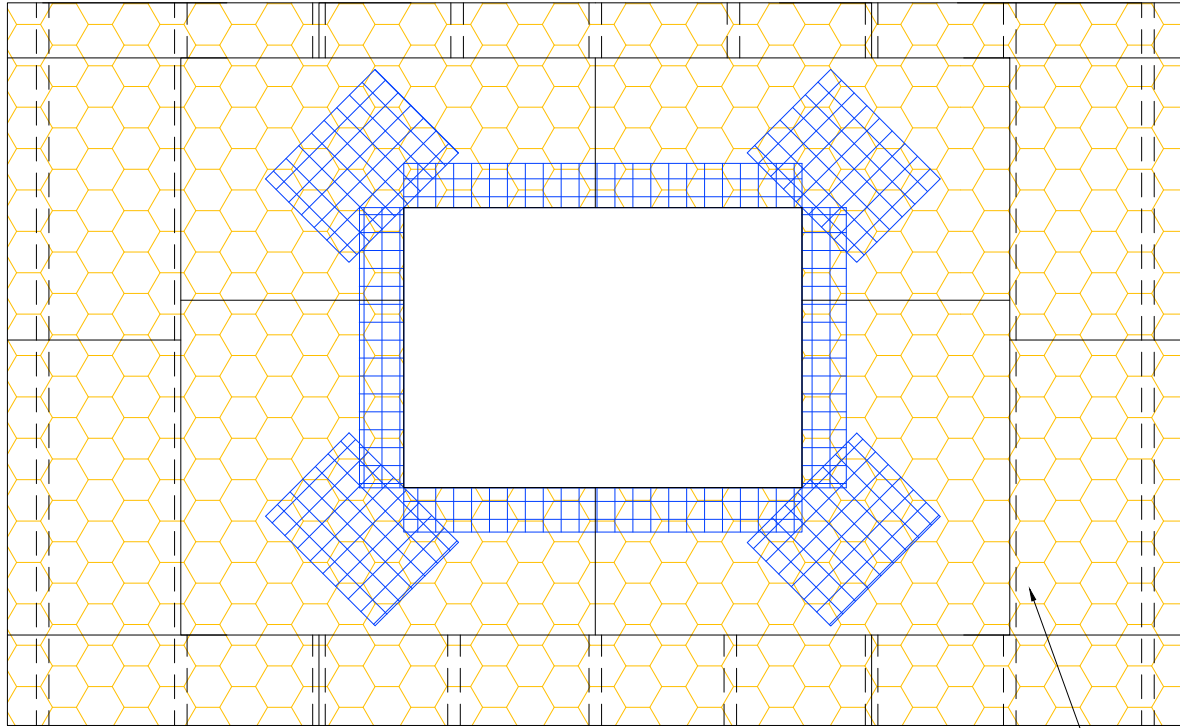
NOTE:

1. DRYVIT RECOMMENDS THAT GROUND FLOOR APPLICATIONS AND ALL FACADES EXPOSED TO ABNORMAL STRESS, HIGH TRAFFIC, OR DELIBERATE IMPACT HAVE THE BASE COAT REINFORCED WITH PANZER® MESH PRIOR TO STANDARD™ OR STANDARD PLUS™ MESH. LOCATION OF HIGH IMPACT ZONES SHOULD BE INDICATED ON CONTRACT DRAWINGS.
2. USE OF THIS DETAIL IS LIMITED TO SLAB-ON-GRADE APPLICATIONS.
3. INCORPORATE MEASURES TO PROTECT STRUCTURE FROM MOISTURE INTRUSION, DAMPNESS, AND FROST HEAVE.
4. TO PREVENT DEBRIS ACCUMULATION IT IS RECOMMENDED TO TERMINATE SYSTEM 2" (51MM) ABOVE SIDEWALK.
5. LIGHTLY SAND SURFACE OF DRYVIT VENT TRACK TO MAXIMIZE ADHESION.
6. SLOT IN DRYVIT VENT TRACK MUST BE POSITIONED OVER DRYVIT VENT ASSEMBLY.
7. APPLY DYMONIC 100 AT 40 MILS, 1" (25 MM) MIN. ON BOTH SUBSTRATES.

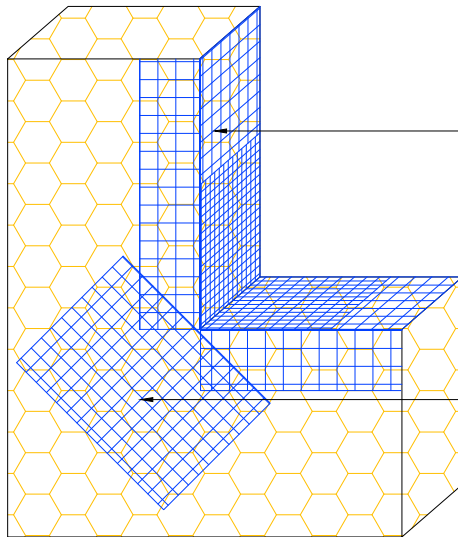
The architecture, engineering, and design of the project using the Dryvit and Tremco products are the responsibility of the project's design professional. All products and systems must comply with local building codes and standards. This detail is for general information and guidance only and Dryvit and Tremco specifically disclaims any liability for the use of this detail. The project design professional determines, in its sole discretion, whether this detail or a functionally equivalent detail is best suited for the project. This detail is subject to change without notice. Contact Dryvit and Tremco to ensure you have the most recent version.

Outsulation® MD System®

| | | | | | | |
|---|---|----------------|------------|--------------|---------|--|
|  Dryvit Technical Support: 800-556-7752 | Detail: Termination at ADA Compliant Sidewalk- Tremco Dymonic 100 / Tremco Waterproofing Option | | | File Name: | |  Construction Products Group |
| | Drawn by: KAB | Checked by: CB | Scale: NTS | Date: 1/2022 | OMD 14a | |
| www.tremcocpg.com | | | | | | |



EPS INSULATION
(SEE NOTE 2)



DRYVIT DETAIL MESH® WRAPPED
TO BACKSIDE OF EPS MIN. 2 1/2" (64 MM)

DRYVIT DETAIL REINFORCING MESH
9 1/2" (241 MM) X 12" (305 MM) (TYP.)
(SEE NOTE 3)

NOTE:

1. LOCATE INSULATION BOARDS SUCH THAT BOARD EDGES DO NOT ALIGN WITH CORNERS OF PENETRATION.

2. APPLY A PIECE OF 9 1/2" (241 MM) X 12" (305 MM) DETAIL REINFORCING MESH DIAGONALLY AT EACH CORNER.

The architecture, engineering, and design of the project using the Dryvit and Tremco products are the responsibility of the project's design professional. All products and systems must comply with local building codes and standards. This detail is for general information and guidance only and Dryvit and Tremco specifically disclaims any liability for the use of this detail. The project design professional determines, in its sole discretion, whether this detail or a functionally equivalent detail is best suited for the project. This detail is subject to change without notice. Contact Dryvit and Tremco to ensure you have the most recent version.

Outsulation® MD System®



Dryvit Technical Support: 800-556-7752

Detail: EPS Preparation at Wall Penetrations

Drawn by: KAB

Checked by: CB

Scale: NTS

Date: 1/2022

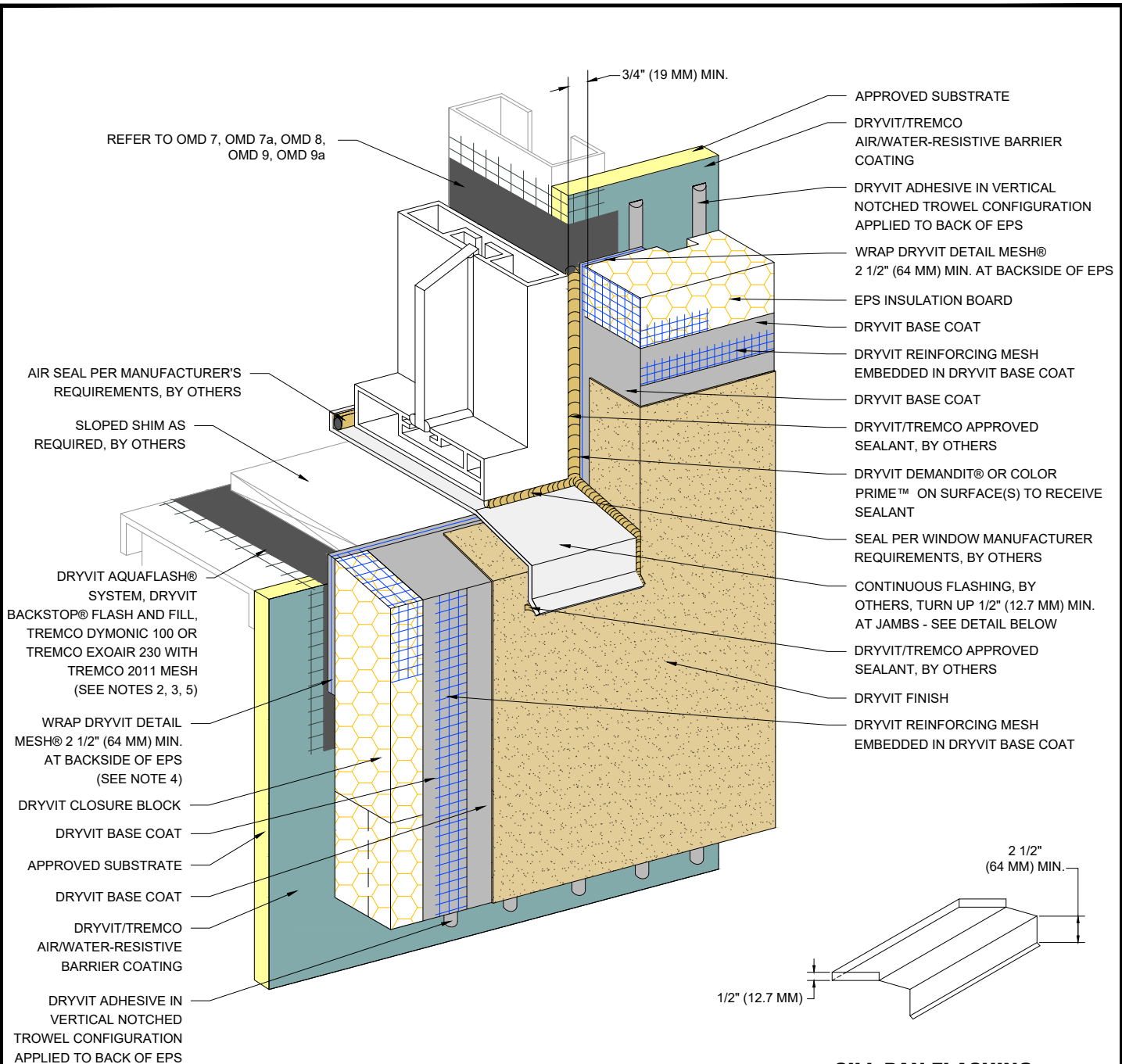
File Name:

OMD 15



Construction Products Group

www.tremcocpg.com



**SILL PAN FLASHING
DETAIL**



NOTE:

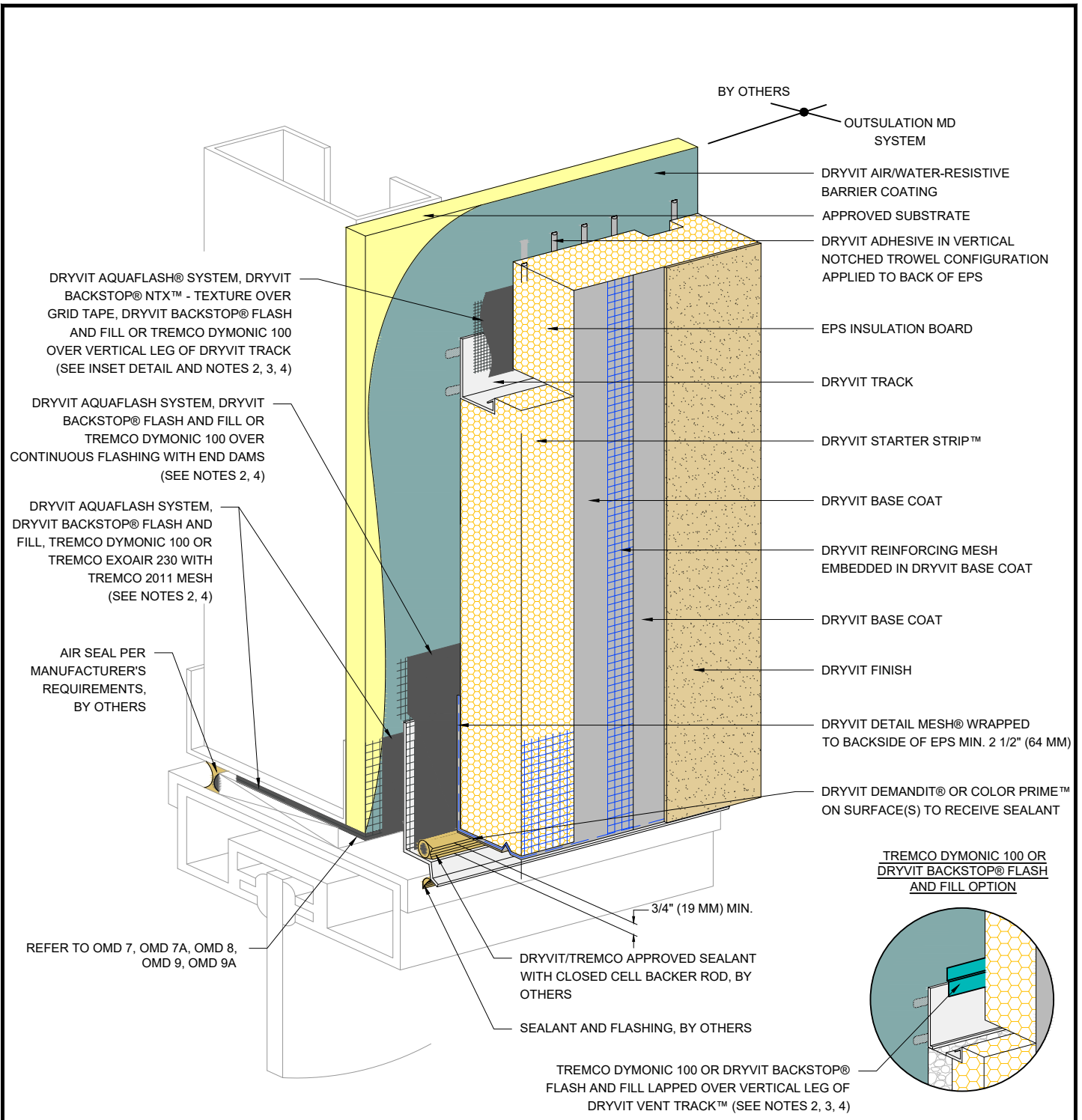
- 1. DRYVIT RECOMMENDS THAT GROUND FLOOR APPLICATIONS AND ALL FACADES EXPOSED TO ABNORMAL STRESS, HIGH TRAFFIC, OR DELIBERATE IMPACT HAVE THE BASE COAT REINFORCED WITH PANZER® MESH PRIOR TO STANDARD™ OR STANDARD PLUS™ MESH. LOCATION OF HIGH IMPACT ZONES SHOULD BE INDICATED ON CONTRACT DRAWINGS.
- 2. REFER TO PRODUCT DATA SHEETS FOR SPECIFIC APPLICATION METHODS.
- 3. DRYVIT BACKSTOP® NTX™ - TEXTURE OVER DRYVIT GRID TAPE™ IS AN ALTERNATIVE OPTION AT JAMB AND HEAD CONDITION PER DETAIL OMD 8.

- 4. EDGE WRAPPING METHOD IS ACCEPTABLE AT SILL AND JAMB IN LIEU OF BACK WRAPPING. DRYVIT REINFORCING MESH MUST BE FULLY EMBEDDED IN DRYVIT BASE COAT AT EPS EDGE AND MUST EXTEND ONTO SUBSTRATE 2 1/2" (64 MM) MIN.
- 5. THE ONLY WRB TO BE USED WITH BACKSTOP® FLASH AND FILL IS BACKSTOP® NTX™.

The architecture, engineering, and design of the project using the Dryvit and Tremco products are the responsibility of the project's design professional. All products and systems must comply with local building codes and standards. This detail is for general information and guidance only and Dryvit and Tremco specifically disclaims any liability for the use of this detail. The project design professional determines, in its sole discretion, whether this detail or a functionally equivalent detail is best suited for the project. This detail is subject to change without notice. Contact Dryvit and Tremco to ensure you have the most recent version.

Outsulation® MD System®

| | | | | | | |
|--|---------------------------------------|----------------|------------|--------------|--------|---|
|  <small>Dryvit Technical Support: 800-556-7752</small> | Detail: Storefront Window Sill - Jamb | | | File Name: | |  <small>Construction Products Group</small> |
| | Drawn by: KAB | Checked by: CB | Scale: NTS | Date: 1/2022 | OMD 16 | |
| <small>www.tremcocpg.com</small> | | | | | | |

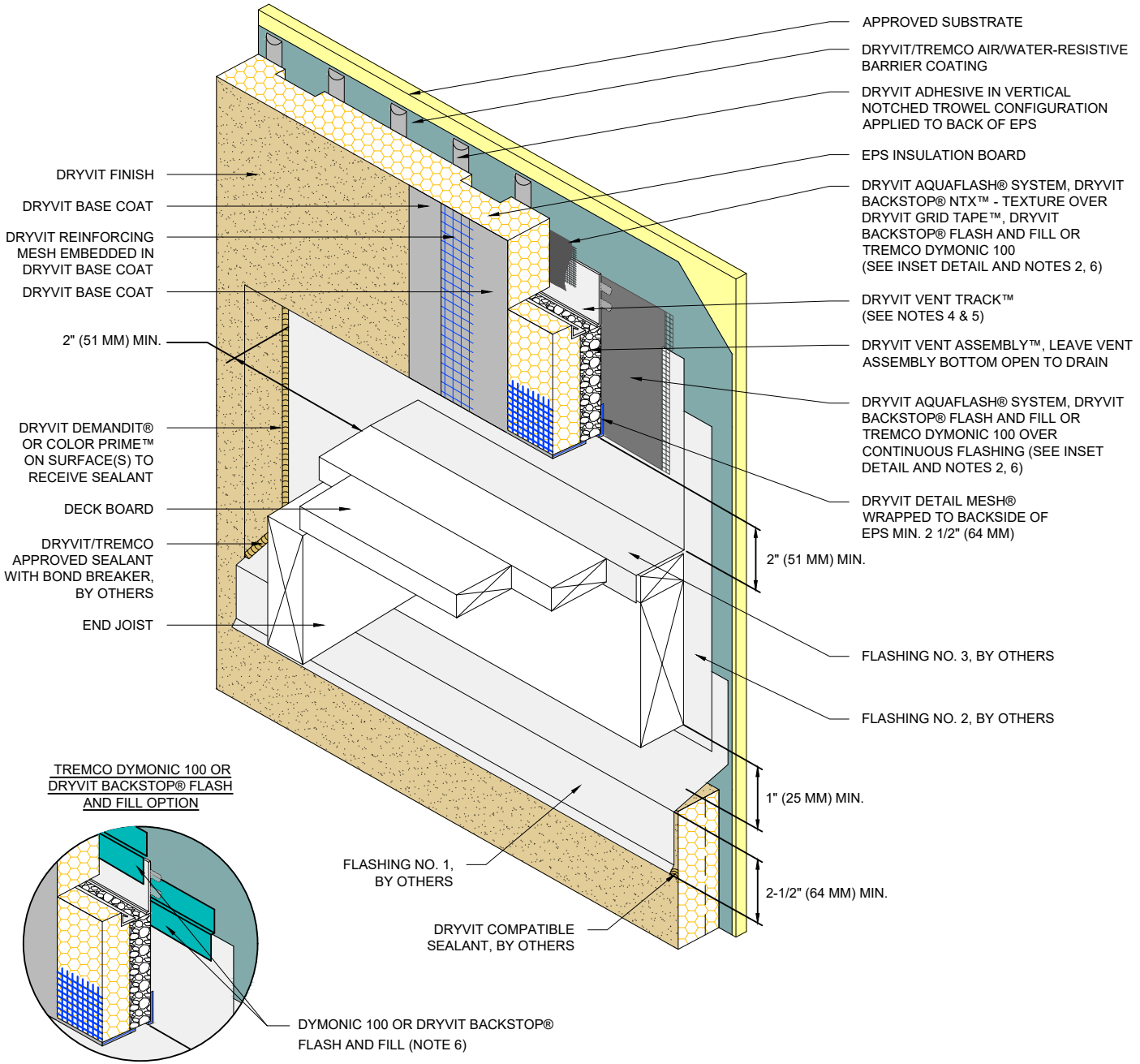


- NOTE:**
1. DRYVIT RECOMMENDS THAT GROUND FLOOR APPLICATIONS AND ALL FACADES EXPOSED TO ABNORMAL STRESS, HIGH TRAFFIC, OR DELIBERATE IMPACT HAVE THE BASE COAT REINFORCED WITH PANZER® MESH PRIOR TO STANDARD™ OR STANDARD PLUS™ MESH. LOCATION OF HIGH IMPACT ZONES SHOULD BE INDICATED ON CONTRACT DRAWINGS.
 2. REFER TO PRODUCT DATA SHEETS FOR SPECIFIC APPLICATION METHODS.
 3. LIGHTLY SAND SURFACE OF DRYVIT TRACK TO MAXIMIZE ADHESION.
 4. THE ONLY WRB TO BE USED WITH BACKSTOP® FLASH AND FILL IS BACKSTOP® NTX™.

The architecture, engineering, and design of the project using the Dryvit and Tremco products are the responsibility of the project's design professional. All products and systems must comply with local building codes and standards. This detail is for general information and guidance only and Dryvit and Tremco specifically disclaims any liability for the use of this detail. The project design professional determines, in its sole discretion, whether this detail or a functionally equivalent detail is best suited for the project. This detail is subject to change without notice. Contact Dryvit and Tremco to ensure you have the most recent version.

Outsulation® MD System®

| | | | | | |
|---|--------------------------------|----------------|------------|--------------|------------------------------------|
| <p>Dryvit Technical Support: 800-556-7752</p> | Detail: Storefront Window Head | | | File Name: | <p>Construction Products Group</p> |
| | Drawn by: KAB | Checked by: CB | Scale: NTS | Date: 1/2022 | |
| www.tremcocpg.com | | | | | |



NOTE:

1. DRYVIT RECOMMENDS THAT GROUND FLOOR APPLICATIONS AND ALL FACADES EXPOSED TO ABNORMAL STRESS, HIGH TRAFFIC, OR DELIBERATE IMPACT HAVE THE BASE COAT REINFORCED WITH PANZER® MESH PRIOR TO STANDARD™ OR STANDARD PLUS™ MESH. LOCATION OF HIGH IMPACT ZONES SHOULD BE INDICATED ON CONTRACT DRAWINGS.
2. REFER TO PRODUCT DATA SHEETS FOR SPECIFIC APPLICATION METHODS.
3. DETAIL DOES NOT APPLY TO CANTILEVERED DECKS. CANTILEVERED DECKS REQUIRE JOB SPECIFIC FLASHING DETAILS.

4. SLOT IN DRYVIT VENT TRACK MUST BE POSITIONED OVER DRYVIT VENT ASSEMBLY.
5. LIGHTLY SAND SURFACE OF DRYVIT TRACK TO MAXIMIZE ADHESION.
6. THE ONLY WRB TO BE USED WITH BACKSTOP® FLASH AND FILL IS BACKSTOP® NTX™.

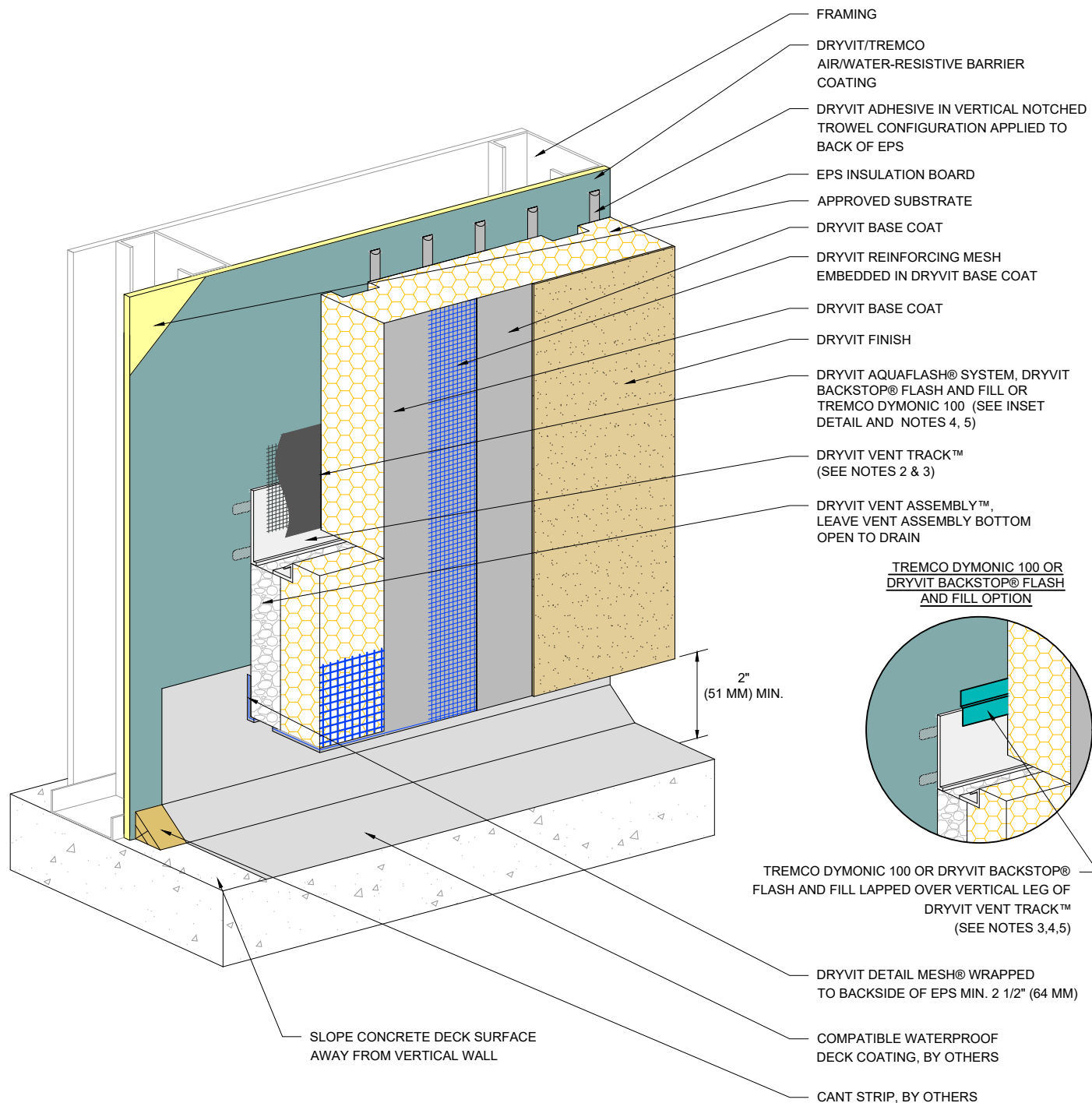
The architecture, engineering, and design of the project using the Dryvit and Tremco products are the responsibility of the project's design professional. All products and systems must comply with local building codes and standards. This detail is for general information and guidance only and Dryvit and Tremco specifically disclaims any liability for the use of this detail. The project design professional determines, in its sole discretion, whether this detail or a functionally equivalent detail is best suited for the project. This detail is subject to change without notice. Contact Dryvit and Tremco to ensure you have the most recent version.

Outsulation® MD System®



| | | | | |
|---|----------------|------------|--------------|------------|
| Detail: Termination at Wood Framed Deck | | | | File Name: |
| Drawn by: KAB | Checked by: CB | Scale: NTS | Date: 1/2022 | OMD 18 |
| www.tremcoapg.com | | | | |





NOTE:

1. DRYVIT RECOMMENDS THAT GROUND FLOOR APPLICATIONS AND ALL FACADES EXPOSED TO ABNORMAL STRESS, HIGH TRAFFIC, OR DELIBERATE IMPACT HAVE THE BASE COAT REINFORCED WITH PANZER® MESH PRIOR TO STANDARD™ OR STANDARD PLUS™ MESH. LOCATION OF HIGH IMPACT ZONES SHOULD BE INDICATED ON CONTRACT DRAWINGS.

2. SLOT IN VENT TRACK MUST BE POSITIONED OVER DRYVIT VENT ASSEMBLY.

3. LIGHTLY SAND SURFACE OF DRYVIT TRACK TO MAXIMIZE ADHESION.

4. REFER TO PRODUCT DATA SHEETS FOR SPECIFIC APPLICATION METHODS.

5. THE ONLY WRB TO BE USED WITH BACKSTOP® FLASH AND FILL IS BACKSTOP® NTX™.

The architecture, engineering, and design of the project using the Dryvit and Tremco products are the responsibility of the project's design professional. All products and systems must comply with local building codes and standards. This detail is for general information and guidance only and Dryvit and Tremco specifically disclaims any liability for the use of this detail. The project design professional determines, in its sole discretion, whether this detail or a functionally equivalent detail is best suited for the project. This detail is subject to change without notice. Contact Dryvit and Tremco to ensure you have the most recent version.

Outsulation® MD System®



Dryvit Technical Support: 800-556-7752

Detail: Termination at Waterproof Deck

Drawn by: KAB

Checked by: CB

Scale: NTS

Date: 1/2022

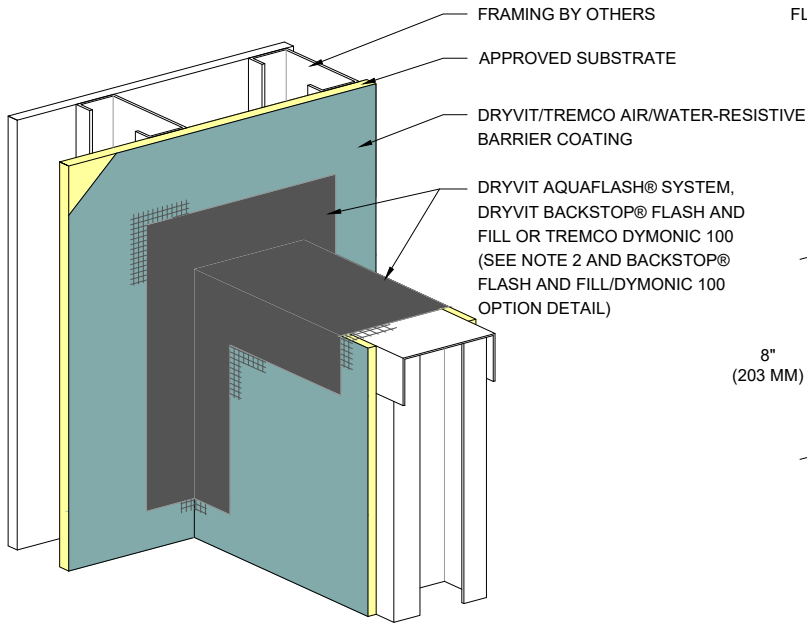
File Name:

OMD 19

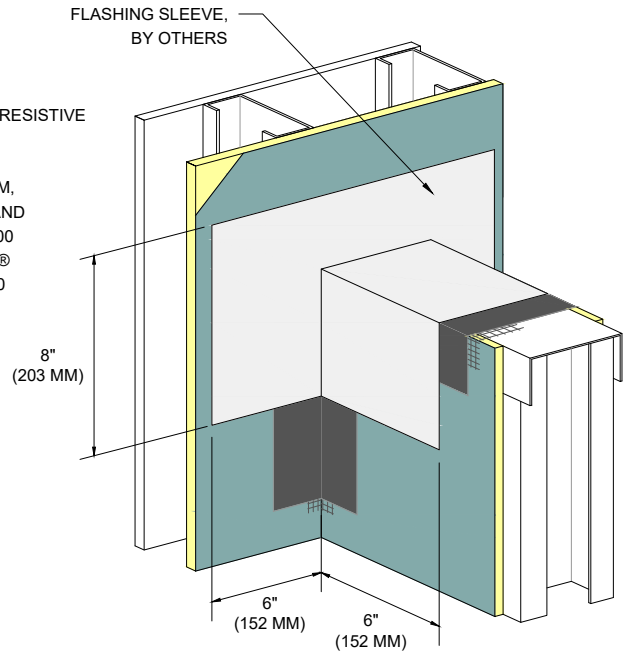


Construction Products Group

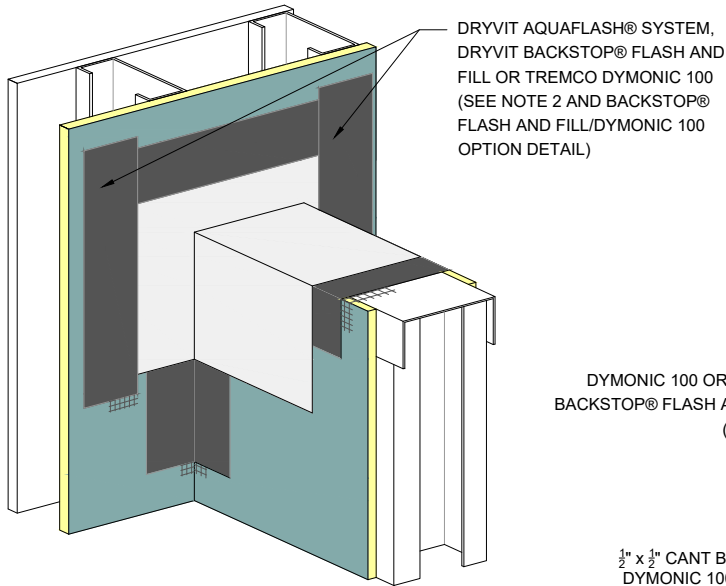
www.tremcoepg.com



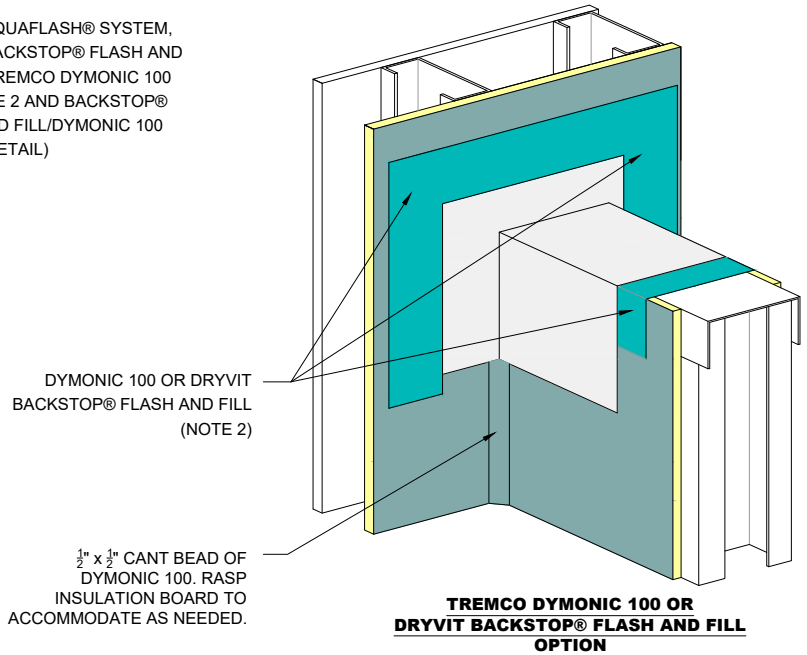
STEP #1



STEP #2



STEP #3



TREMCO DYMONIC 100 OR DRYVIT BACKSTOP® FLASH AND FILL OPTION

NOTE:
1. REFER TO PRODUCT DATA SHEETS FOR SPECIFIC APPLICATION METHODS.

2. THE ONLY WRB TO BE USED WITH BACKSTOP® FLASH AND FILL IS BACKSTOP® NTX™.

The architecture, engineering, and design of the project using the Dryvit and Tremco products are the responsibility of the project's design professional. All products and systems must comply with local building codes and standards. This detail is for general information and guidance only and Dryvit and Tremco specifically disclaims any liability for the use of this detail. The project design professional determines, in its sole discretion, whether this detail or a functionally equivalent detail is best suited for the project. This detail is subject to change without notice. Contact Dryvit and Tremco to ensure you have the most recent version.

Outsulation® MD System®



Dryvit Technical Support: 800-556-7752

Detail: Preparation at Parapet/Wall Intersection

Drawn by: KAB

Checked by: CB

Scale: NTS

Date: 1/2022

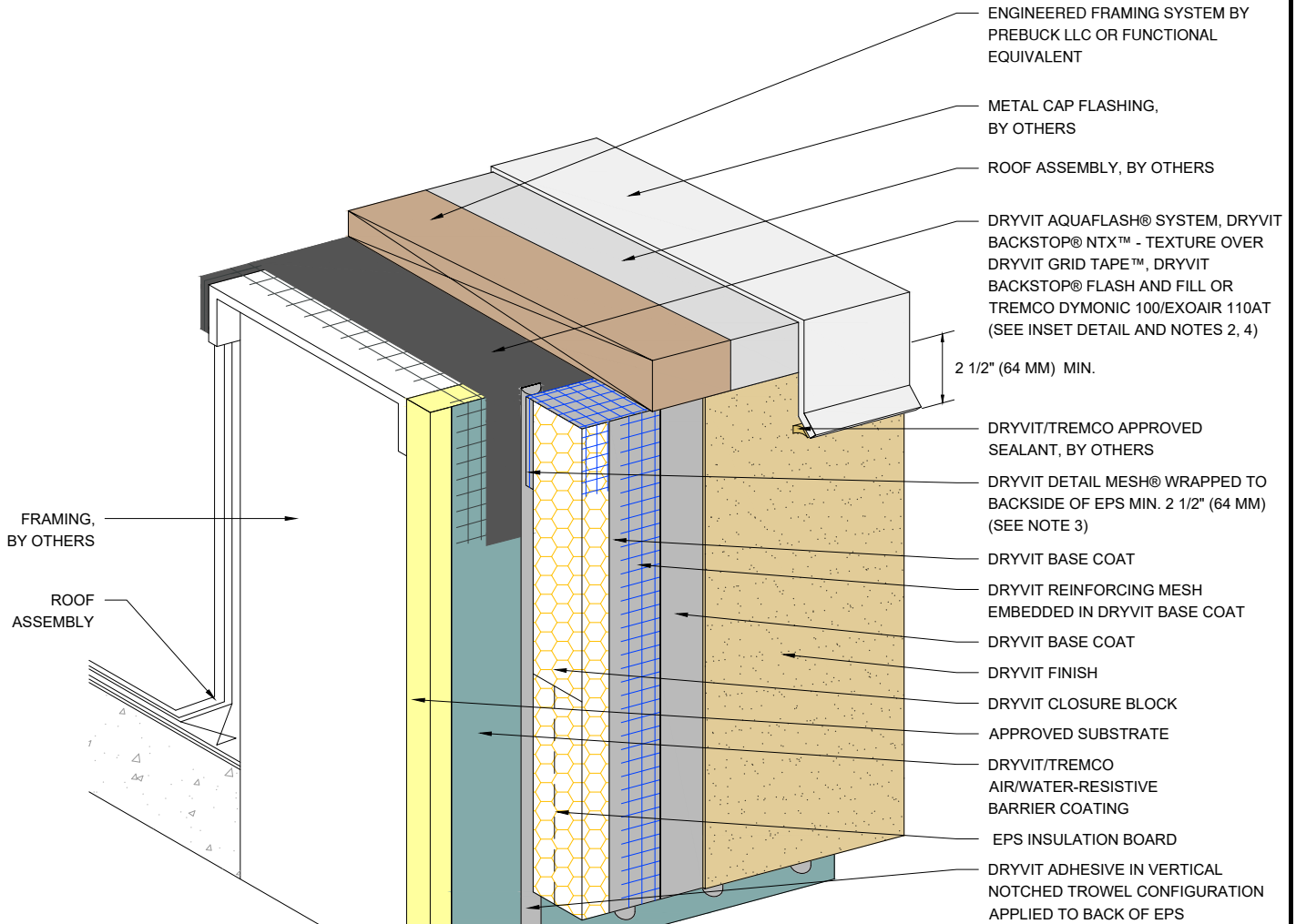
File Name:

OMD 20



Construction Products Group

www.tremcocpg.com



FRAMING,
BY OTHERS

ROOF
ASSEMBLY

NOTE:

1. DRYVIT RECOMMENDS THAT GROUND FLOOR APPLICATIONS AND ALL FACADES EXPOSED TO ABNORMAL STRESS, HIGH TRAFFIC, OR DELIBERATE IMPACT HAVE THE BASE COAT REINFORCED WITH PANZER® MESH PRIOR TO STANDARD™ OR STANDARD PLUS™ MESH. LOCATION OF HIGH IMPACT ZONES SHOULD BE INDICATED ON CONTRACT DRAWINGS.

2. TREMCO DYMONIC 100 OR DRYVIT BACKSTOP® FLASH AND FILL MAY BE USED IN LIEU OF EXOAIR 110AT. REFER TO PRODUCT DATA SHEETS FOR SPECIFIC APPLICATION METHODS.

3. EDGE WRAPPING METHOD IS ACCEPTABLE IN LIEU OF BACK WRAPPING. DRYVIT REINFORCING MESH MUST BE FULLY EMBEDDED IN DRYVIT BASE COAT AT INSULATION BOARD EDGE AND EXTEND ONTO SUBSTRATE 2 1/2" (64 MM).

4. THE ONLY WRB TO BE USED WITH BACKSTOP® FLASH AND FILL IS BACKSTOP® NTX™.

The architecture, engineering, and design of the project using the Dryvit and Tremco products are the responsibility of the project's design professional. All products and systems must comply with local building codes and standards. This detail is for general information and guidance only and Dryvit and Tremco specifically disclaims any liability for the use of this detail. The project design professional determines, in its sole discretion, whether this detail or a functionally equivalent detail is best suited for the project. This detail is subject to change without notice. Contact Dryvit and Tremco to ensure you have the most recent version.

TREMCO EXOAIR 110AT
(SEE NOTE 2)

TREMCO DYMONIC 100,
EXOAIR 110AT OPTION

3" (76 MM) MIN.

DYMONIC 100 AT 40 MILS APPLIED OVER EXOAIR 110AT

Outsulation® MD System®



Dryvit Technical Support: 800-556-7752

Detail: Termination at Parapet - Cap Flashing

File Name:

Drawn by: KAB

Checked by: CB

Scale: NTS

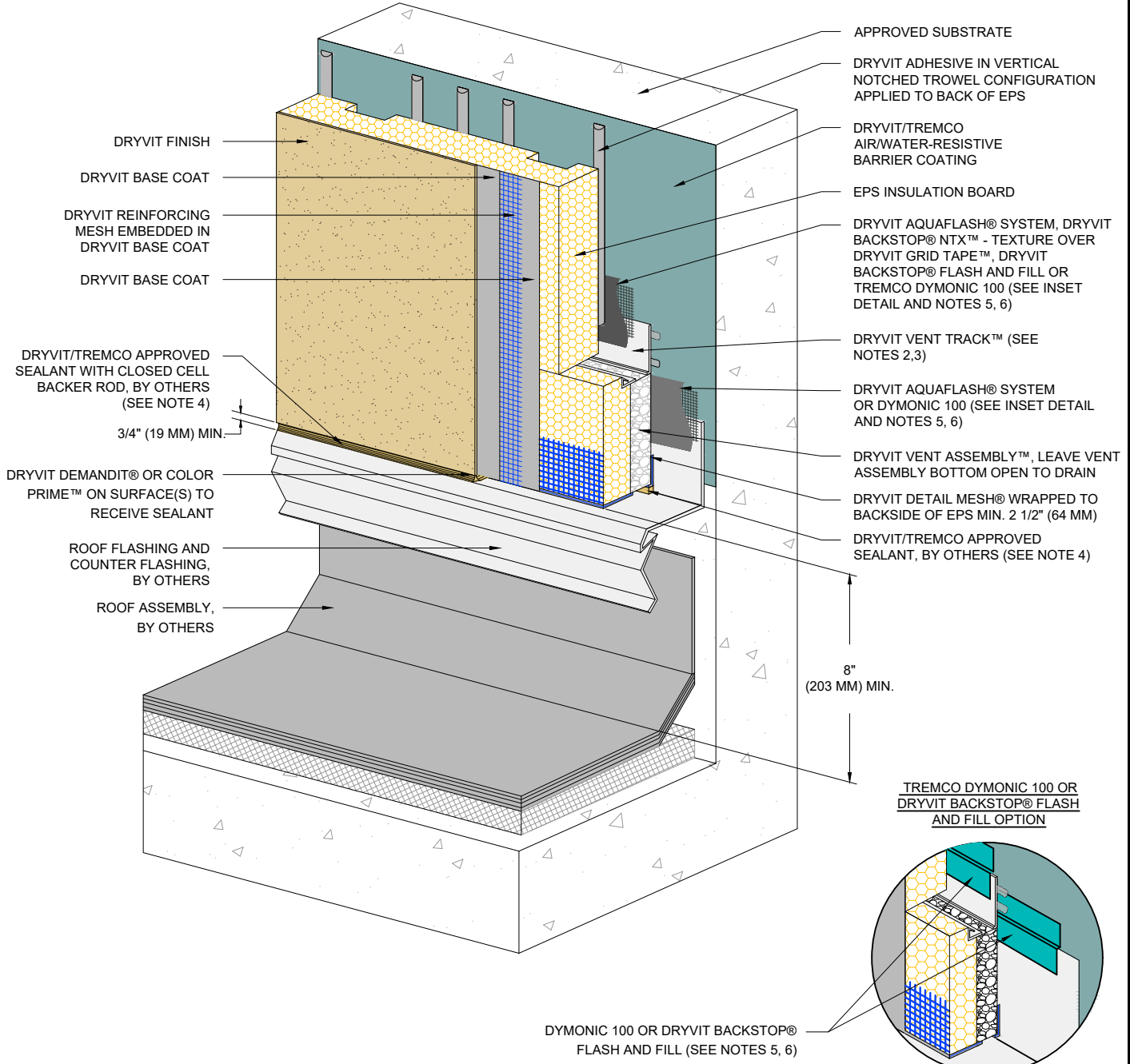
Date: 1/2022

OMD 21



Construction Products Group



www.tremcocpg.com

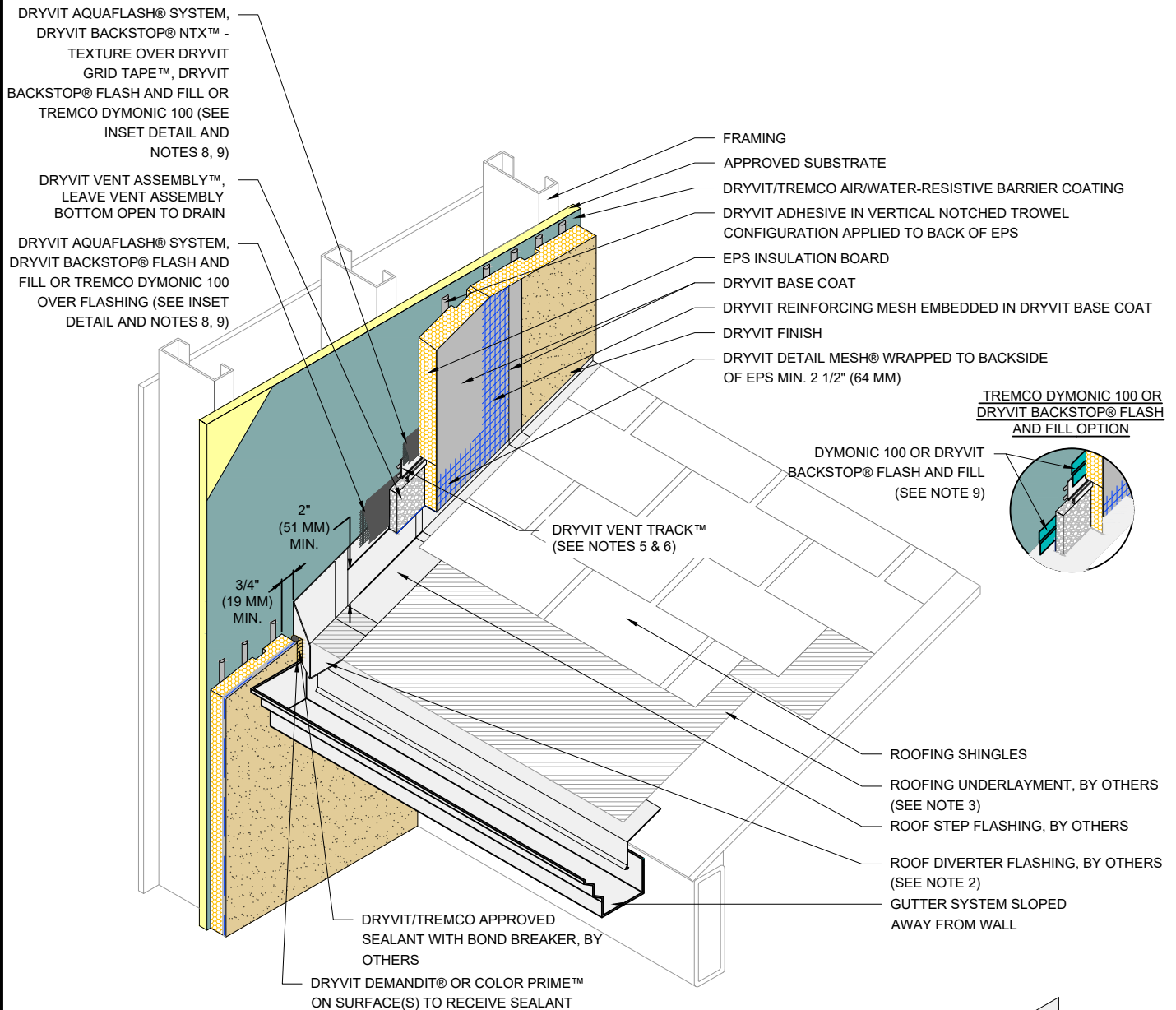


- NOTE:**
1. DRYVIT RECOMMENDS THAT GROUND FLOOR APPLICATIONS AND ALL FACADES EXPOSED TO ABNORMAL STRESS, HIGH TRAFFIC, OR DELIBERATE IMPACT HAVE THE BASE COAT REINFORCED WITH PANZER® MESH PRIOR TO STANDARD™ OR STANDARD PLUS™ MESH. LOCATION OF HIGH IMPACT ZONES SHOULD BE INDICATED ON CONTRACT DRAWINGS.
 2. SLOT IN DRYVIT VENT TRACK MUST BE POSITIONED OVER DRYVIT VENT ASSEMBLY.
 3. LIGHTLY SAND SURFACE OF DRYVIT VENT TRACK TO MAXIMIZE ADHESION.
 4. DETAIL OMD 13 SECTION A-A FOR SEALANT JOINT CONFIGURATION.
 5. REFER TO PRODUCT DATA SHEETS FOR SPECIFIC APPLICATION METHODS.
 6. THE ONLY WRB TO BE USED WITH BACKSTOP® FLASH AND FILL IS BACKSTOP® NTX™.

The architecture, engineering, and design of the project using the Dryvit and Tremco products are the responsibility of the project's design professional. All products and systems must comply with local building codes and standards. This detail is for general information and guidance only and Dryvit and Tremco specifically disclaims any liability for the use of this detail. The project design professional determines, in its sole discretion, whether this detail or a functionally equivalent detail is best suited for the project. This detail is subject to change without notice. Contact Dryvit and Tremco to ensure you have the most recent version.

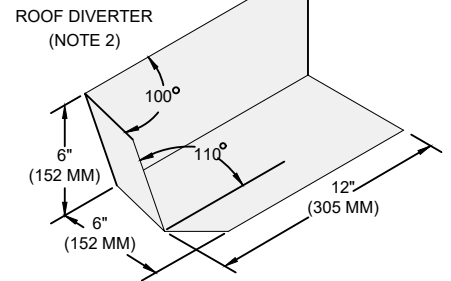
Outsulation® MD System®

| | | | | | | |
|---|--|----------------|------------|--------------|--------|--|
|  <p>Dryvit Technical Support: 800-556-7752</p> | Detail: Termination at Flat Roof - Solid Substrate | | | File Name: | |  <p>Construction Products Group</p> |
| | Drawn by: KAB | Checked by: CB | Scale: NTS | Date: 1/2022 | OMD 22 | |
| www.tremcocpg.com | | | | | | |



- NOTE:**
1. EXTEND DIVERTER FLASHING (KICKOUT) A MINIMUM OF 1" (25 MM) BEYOND FACE OF THE SYSTEM.
 2. ROOF DIVERTER TO BE MADE FROM CORROSION RESISTANT MATERIAL MIN. 24 GAGE WITH WATER TIGHT SEAMS.
 3. EXTEND ROOFING UNDERLAYMENT 5" (127 MM) UP VERTICAL WALL BEHIND METAL FLASHING.
 4. FOR ADDITIONAL SLOPED ROOF DETAILS, REFER TO DRYVIT PUBLICATION DS106.
 5. SLOT IN DRYVIT VENT TRACK MUST BE POSITIONED OVER DRYVIT VENT ASSEMBLY.
 6. LIGHTLY SAND SURFACE OF DRYVIT VENT TRACK TO MAXIMIZE ADHESION.

7. METAL FLASHINGS ARE 10" (254 MM) X 2" (51 MM) LONGER THAN THE EXPOSED PORTION OF THE ROOFING SHINGLE AND ARE BENT IN HALF TO ALLOW FOR TWO 5" (127 MM) LEGS. ALTHOUGH NOT SHOWN, METAL FLASHINGS ARE STEP FLASHED (INTERWOVEN) WITH ROOFING SHINGLES.
8. REFER TO PRODUCT DATA SHEETS FOR SPECIFIC APPLICATION METHODS.
9. THE ONLY WRB TO BE USED WITH BACKSTOP® FLASH AND FILL IS BACKSTOP® NTX™.



The architecture, engineering, and design of the project using the Dryvit and Tremco products are the responsibility of the project's design professional. All products and systems must comply with local building codes and standards. This detail is for general information and guidance only and Dryvit and Tremco specifically disclaims any liability for the use of this detail. The project design professional determines, in its sole discretion, whether this detail or a functionally equivalent detail is best suited for the project. This detail is subject to change without notice. Contact Dryvit and Tremco to ensure you have the most recent version.

Outsulation® MD System®



Dryvit Technical Support: 800-556-7752

Detail: Termination at Sloped Roof

Drawn by: KAB

Checked by: CB

Scale: NTS

Date: 1/2022

File Name:

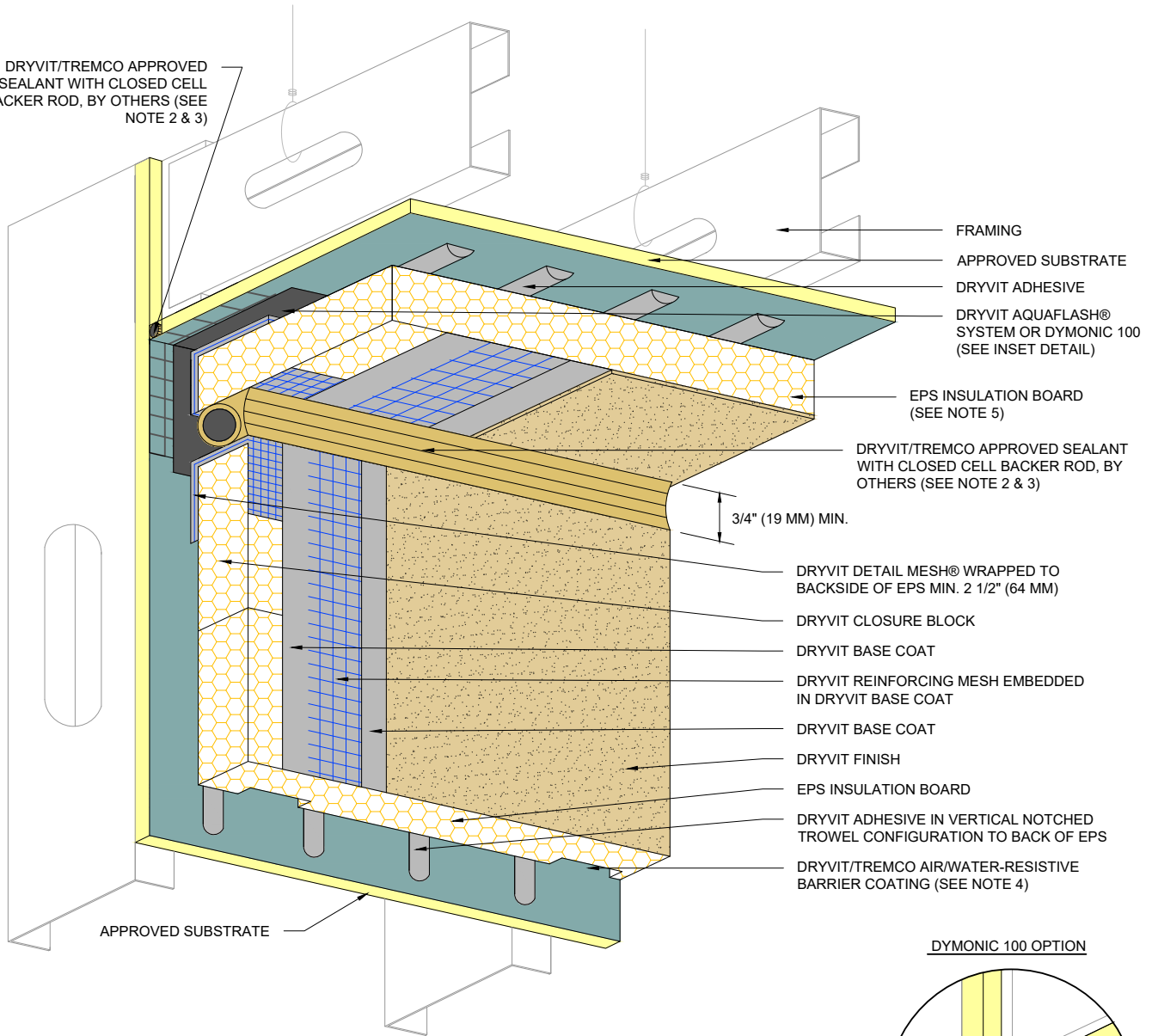
OMD 23



Construction Products Group

www.tremcocpg.com

DRYVIT/TREMCO APPROVED SEALANT WITH CLOSED CELL BACKER ROD, BY OTHERS (SEE NOTE 2 & 3)



FRAMING
APPROVED SUBSTRATE
DRYVIT ADHESIVE
DRYVIT AQUAFLASH® SYSTEM OR DYMonic 100 (SEE INSET DETAIL)

EPS INSULATION BOARD (SEE NOTE 5)
DRYVIT/TREMCO APPROVED SEALANT WITH CLOSED CELL BACKER ROD, BY OTHERS (SEE NOTE 2 & 3)

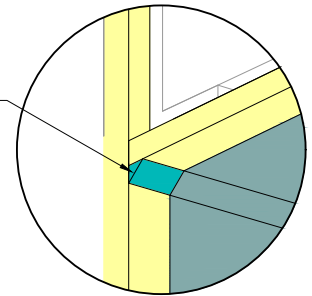
3/4" (19 MM) MIN.

DRYVIT DETAIL MESH® WRAPPED TO BACKSIDE OF EPS MIN. 2 1/2" (64 MM)
DRYVIT CLOSURE BLOCK
DRYVIT BASE COAT
DRYVIT REINFORCING MESH EMBEDDED IN DRYVIT BASE COAT
DRYVIT BASE COAT
DRYVIT FINISH
EPS INSULATION BOARD
DRYVIT ADHESIVE IN VERTICAL NOTCHED TROWEL CONFIGURATION TO BACK OF EPS
DRYVIT/TREMCO AIR/WATER-RESISTIVE BARRIER COATING (SEE NOTE 4)

APPROVED SUBSTRATE

DYMonic 100 OPTION

1/2" x 1/2" CANT BEAD OF DYMonic 100. RASP INSULATION BOARD TO ACCOMMODATE AS NEEDED.



- NOTE:
1. DRYVIT RECOMMENDS THAT GROUND FLOOR APPLICATIONS AND ALL FACADES EXPOSED TO ABNORMAL STRESS, HIGH TRAFFIC, OR DELIBERATE IMPACT HAVE THE BASE COAT REINFORCED WITH PANZER® MESH PRIOR TO STANDARD™ OR STANDARD PLUS™ MESH. LOCATION OF HIGH IMPACT ZONES SHOULD BE INDICATED ON CONTRACT DRAWINGS.
 2. SEALANT JOINT IS REQUIRED FOR SUSPENDED SOFFITS. OPTIONAL FOR RIGIDLY FRAMED.
 3. DRYVIT DEMANDIT® OR COLOR PRIME™ ON SURFACES TO RECEIVE SEALANT.

4. DRYVIT/TREMCO AIR/WATER-RESISTIVE BARRIER IS REQUIRED OVER VERTICAL SUBSTRATES. APPLICATION OVER HORIZONTAL SOFFIT SUBSTRATE IS OPTIONAL UNLESS REQUIRED AS PART OF A CONTINUOUS AIR BARRIER SYSTEM.
5. GROOVED BOARD AND FLAT STOCK EPS ARE ACCEPTABLE FOR USE IN HORIZONTAL SOFFIT CONDITION.

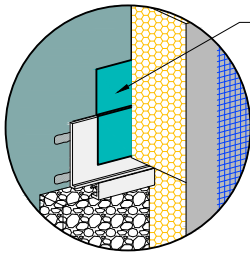
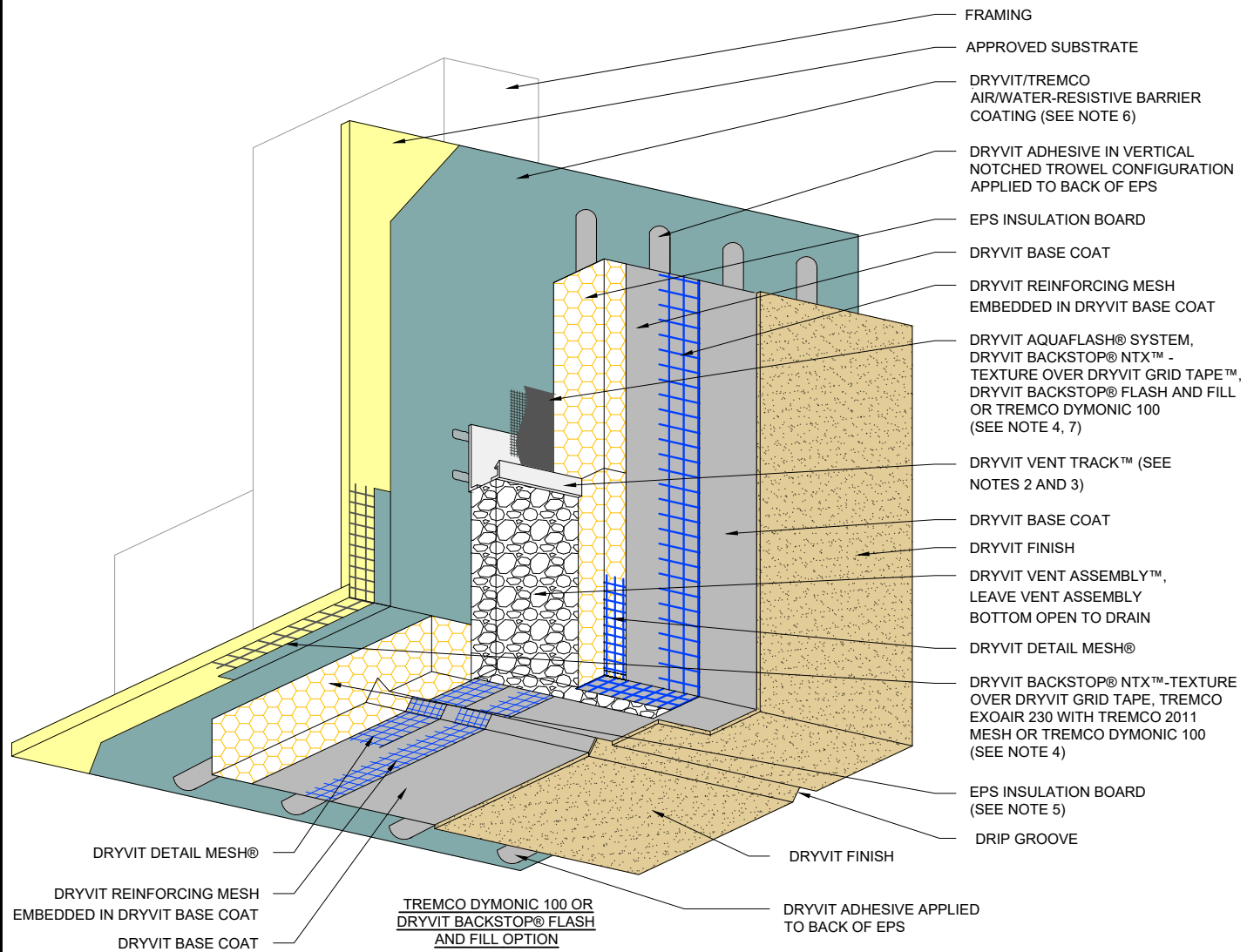
The architecture, engineering, and design of the project using the Dryvit and Tremco products are the responsibility of the project's design professional. All products and systems must comply with local building codes and standards. This detail is for general information and guidance only and Dryvit and Tremco specifically disclaims any liability for the use of this detail. The project design professional determines, in its sole discretion, whether this detail or a functionally equivalent detail is best suited for the project. This detail is subject to change without notice. Contact Dryvit and Tremco to ensure you have the most recent version.

Outsulation® MD System®

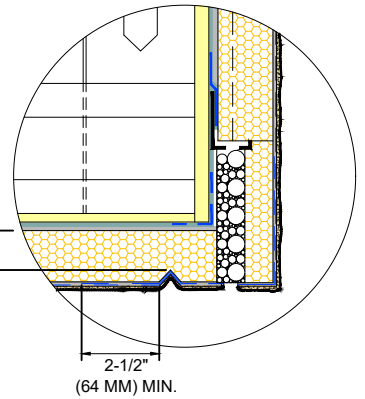


| | | | | |
|---|----------------|------------|--------------|------------|
| Detail: Vertical Wall/Suspended Soffit Transition | | | | File Name: |
| Drawn by: KAB | Checked by: CB | Scale: NTS | Date: 1/2022 | OMD 24 |





TREMCO DYMONIC 100 OR DRYVIT BACKSTOP® FLASH AND FILL (SEE NOTE 4, 7)



1" (25 MM) MIN.

2-1/2" (64 MM) MIN.

NOTE:

1. DRYVIT RECOMMENDS THAT GROUND FLOOR APPLICATIONS AND ALL FACADES EXPOSED TO ABNORMAL STRESS, HIGH TRAFFIC, OR DELIBERATE IMPACT HAVE THE BASE COAT REINFORCED WITH PANZER® MESH PRIOR TO STANDARD™ OR STANDARD PLUS™ MESH. LOCATION OF HIGH IMPACT ZONES SHOULD BE INDICATED ON CONTRACT DRAWINGS.
2. SLOT IN DRYVIT VENT TRACK MUST BE POSITIONED OVER DRYVIT VENT ASSEMBLY.
3. LIGHTLY SAND SURFACE OF DRYVIT VENT TRACK TO MAXIMIZE ADHESION.
4. REFER TO PRODUCT DATA SHEETS FOR SPECIFIC APPLICATION METHODS.

5. GROOVED BOARD AND FLAT STOCK EPS ARE ACCEPTABLE FOR USE IN HORIZONTAL SOFFIT CONDITION.
6. DRYVIT/TREMCO AIR/WATER RESISTIVE BARRIER IS REQUIRED OVER VERTICAL SUBSTRATES. APPLICATION OVER HORIZONTAL SOFFIT SUBSTRATE IS OPTIONAL UNLESS REQUIRED AS PART OF A CONTINUOUS AIR BARRIER SYSTEM.
7. THE ONLY WRB TO BE USED WITH BACKSTOP® FLASH AND FILL IS BACKSTOP® NTX™.

The architecture, engineering, and design of the project using the Dryvit and Tremco products are the responsibility of the project's design professional. All products and systems must comply with local building codes and standards. This detail is for general information and guidance only and Dryvit and Tremco specifically disclaims any liability for the use of this detail. The project design professional determines, in its sole discretion, whether this detail or a functionally equivalent detail is best suited for the project. This detail is subject to change without notice. Contact Dryvit and Tremco to ensure you have the most recent version.

Outsulation® MD System®

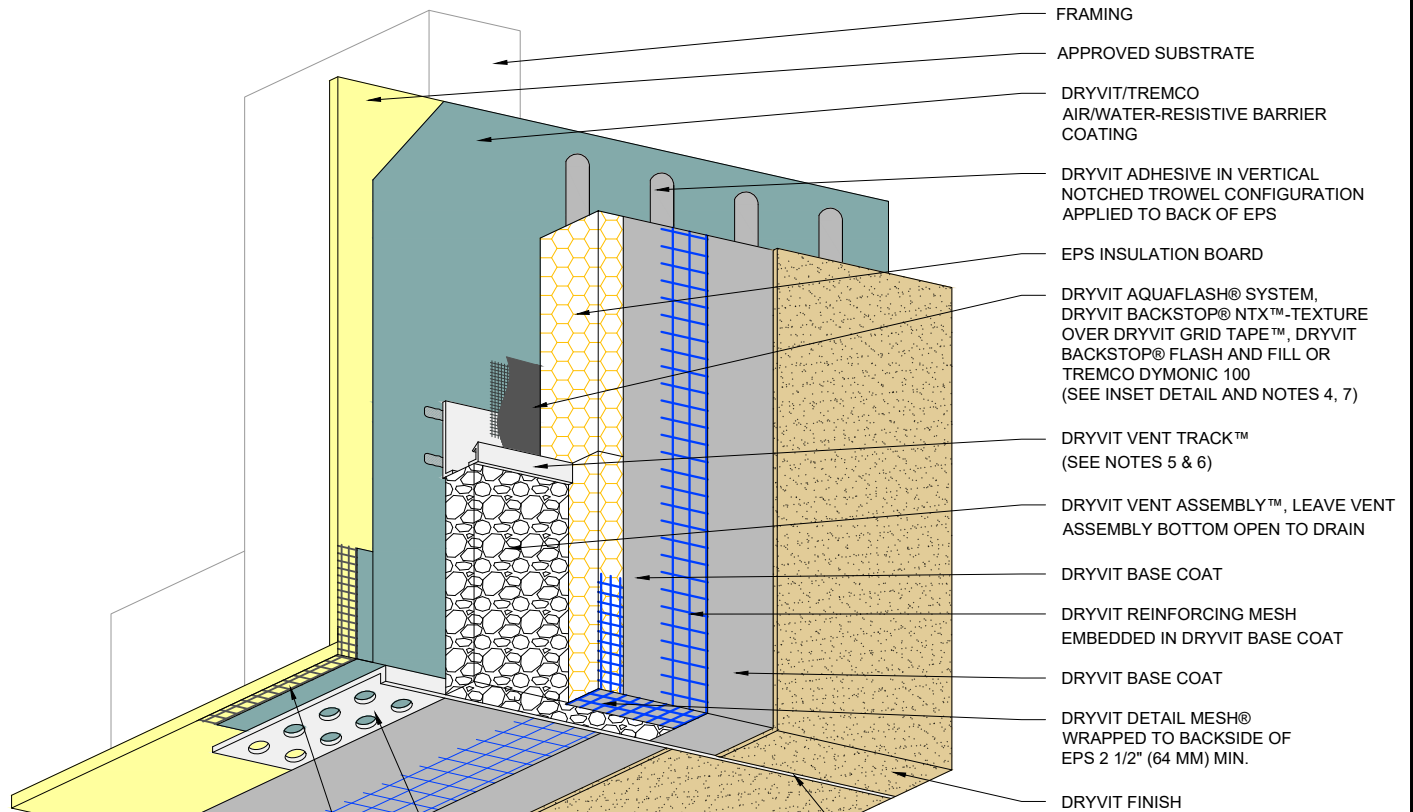


Dryvit Technical Support: 800-556-7752

| | | | | | |
|--|----------------|------------|--------------|------------|--|
| Detail: Transition at Soffit/Fascia Intersection | | | | File Name: | |
| Drawn by: KAB | Checked by: CB | Scale: NTS | Date: 1/2022 | OMD 25 | |

www.tremcocpg.com





- FRAMING
- APPROVED SUBSTRATE
- DRYVIT/TREMCO AIR/WATER-RESISTIVE BARRIER COATING
- DRYVIT ADHESIVE IN VERTICAL NOTCHED TROWEL CONFIGURATION APPLIED TO BACK OF EPS
- EPS INSULATION BOARD
- DRYVIT AQUAFASH® SYSTEM, DRYVIT BACKSTOP® NTX™. TEXTURE OVER DRYVIT GRID TAPE™, DRYVIT BACKSTOP® FLASH AND FILL OR TREMCO DYMONIC 100 (SEE INSET DETAIL AND NOTES 4, 7)
- DRYVIT VENT TRACK™ (SEE NOTES 5 & 6)
- DRYVIT VENT ASSEMBLY™. LEAVE VENT ASSEMBLY BOTTOM OPEN TO DRAIN
- DRYVIT BASE COAT
- DRYVIT REINFORCING MESH EMBEDDED IN DRYVIT BASE COAT
- DRYVIT BASE COAT
- DRYVIT DETAIL MESH® WRAPPED TO BACKSIDE OF EPS 2 1/2" (64 MM) MIN.
- DRYVIT FINISH

DRYVIT BACKSTOP® NTX™ - TEXTURE OVER DRYVIT GRID TAPE™, DRYVIT BACKSTOP® FLASH AND FILL, TREMCO EXOAIR 230 WITH TREMCO 2011 MESH OR TREMCO DYMONIC 100 (SEE NOTES 4, 7)

CASING BEAD, BY OTHERS

TREMCO DYMONIC 100 OR DRYVIT BACKSTOP® FLASH AND FILL OPTION

TREMCO DYMONIC 100 OR DRYVIT BACKSTOP® FLASH AND FILL (SEE NOTES 4, 7)

NOTE:

1. DRYVIT RECOMMENDS THAT GROUND FLOOR APPLICATIONS AND ALL FACADES EXPOSED TO ABNORMAL STRESS, HIGH TRAFFIC, OR DELIBERATE IMPACT HAVE THE BASE COAT REINFORCED WITH PANZER® MESH PRIOR TO STANDARD™ OR STANDARD PLUS™ MESH. LOCATION OF HIGH IMPACT ZONES SHOULD BE INDICATED ON CONTRACT DRAWINGS.

2. SOFFITS WITHOUT EPS INSULATION REQUIRE EXPANSION JOINTS EVERY 20 FT (6.1 M).

3. REFER TO DRYVIT PUBLICATION DS173 FOR SPECIFIC REQUIREMENTS FOR SOFFIT AREAS.

4. REFER TO PRODUCT DATA SHEETS FOR SPECIFIC APPLICATION METHODS.

5. SLOT IN DRYVIT VENT TRACK MUST BE POSITIONED OVER DRYVIT VENT ASSEMBLY.

6. LIGHTLY SAND SURFACE OF DRYVIT VENT TRACK TO MAXIMIZE ADHESION.

7. THE ONLY WRB TO BE USED WITH BACKSTOP® FLASH AND FILL IS BACKSTOP® NTX™.

The architecture, engineering, and design of the project using the Dryvit and Tremco products are the responsibility of the project's design professional. All products and systems must comply with local building codes and standards. This detail is for general information and guidance only and Dryvit and Tremco specifically disclaims any liability for the use of this detail. The project design professional determines, in its sole discretion, whether this detail or a functionally equivalent detail is best suited for the project. This detail is subject to change without notice. Contact Dryvit and Tremco to ensure you have the most recent version.

Outsulation® MD System®



Dryvit Technical Support: 800-556-7752

Detail: Fascia/Uninsulated Soffit Transition

Drawn by: KAB

Checked by: CB

Scale: NTS

Date: 1/2022

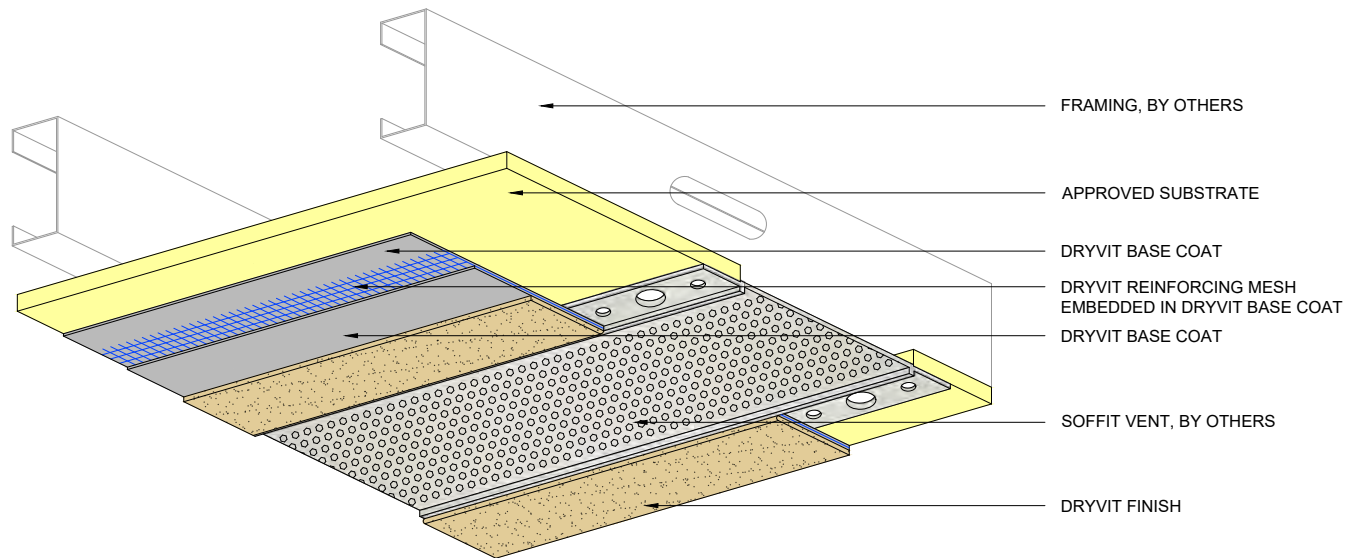
File Name:

OMD 26



Construction Products Group

www.tremcocpg.com



NOTE:

1. CONTROL JOINTS ARE RECOMMENDED EVERY 20 FT (6.1 M).

2. REFER TO DRYVIT PUBLICATION DS173 FOR SPECIFIC REQUIREMENTS FOR SOFFIT AREAS.

3. SEAL ALL BUTT JOINTS, INTERSECTIONS, AND ENDS OF VENTS WITH COMPATIBLE SEALANT.

4. SEE DRYVIT PUBLICATION DS842 FOR ADDITIONAL DIRECT APPLIED DETAILS.

The architecture, engineering, and design of the project using the Dryvit and Tremco products are the responsibility of the project's design professional. All products and systems must comply with local building codes and standards. This detail is for general information and guidance only and Dryvit and Tremco specifically disclaims any liability for the use of this detail. The project design professional determines, in its sole discretion, whether this detail or a functionally equivalent detail is best suited for the project. This detail is subject to change without notice. Contact Dryvit and Tremco to ensure you have the most recent version.

Outsulation® MD System®



Dryvit Technical Support: 800-556-7752

Detail: Termination at Uninsulated Soffit Vent

Drawn by: KAB

Checked by: CB

Scale: NTS

1/2022

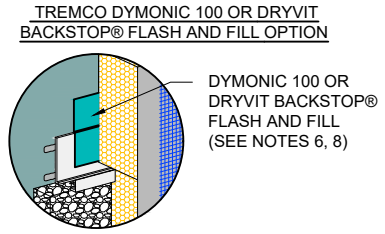
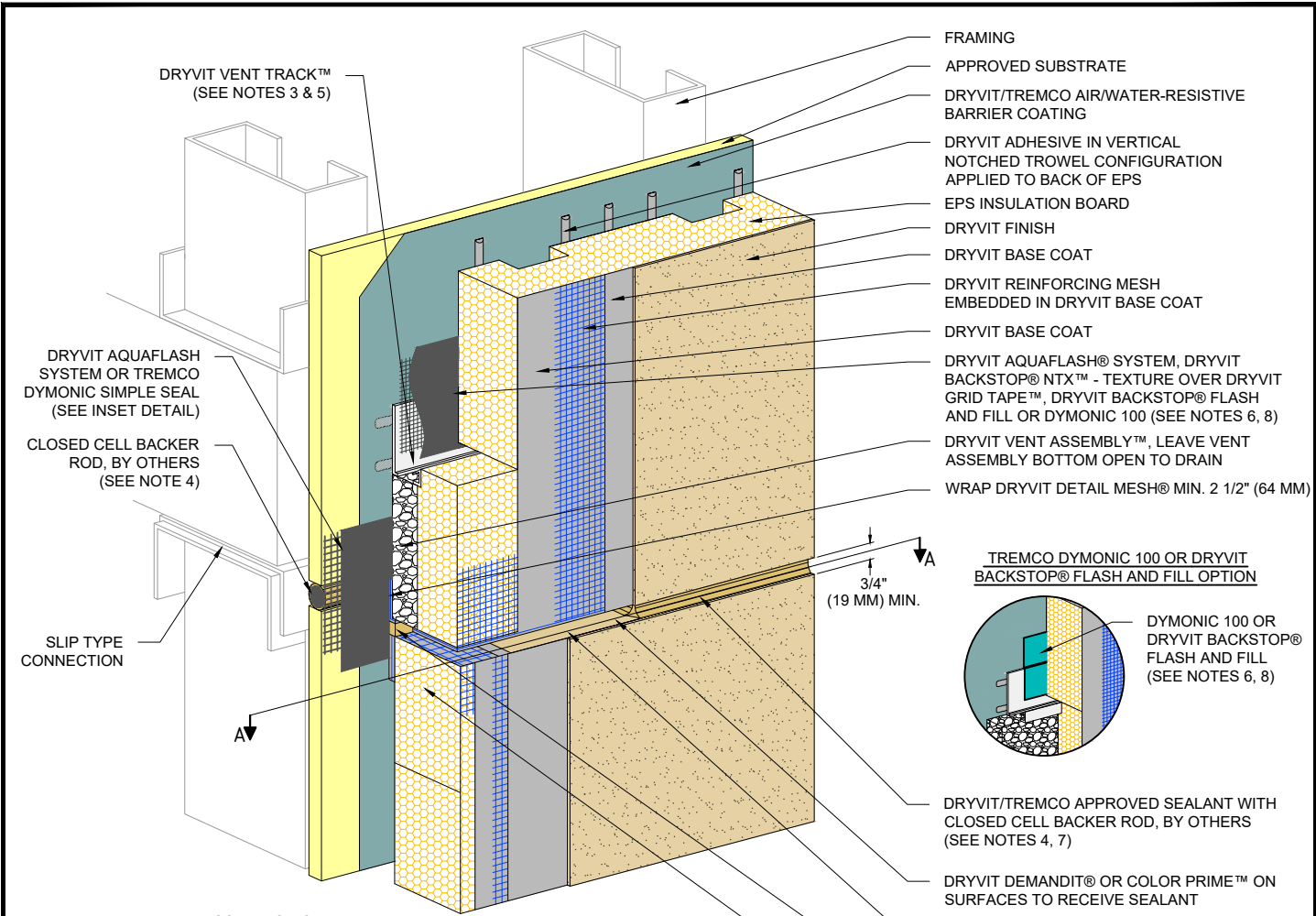
File Name:

OMD 27

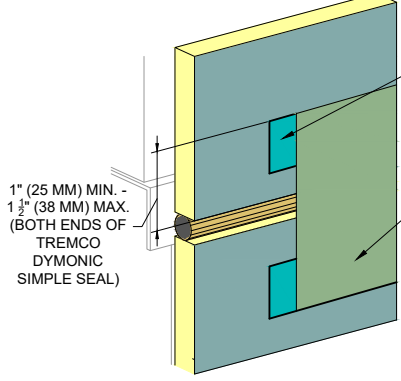


Construction Products Group

www.tremcocpg.com



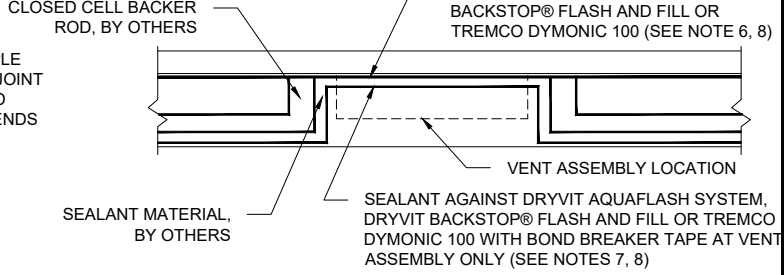
TREMCO DYMONIC SIMPLE SEAL OPTION



TREMCO DYMONIC 100
1" (25 MM) MIN. ON
SUBSTRATE

TREMCO DYMONIC SIMPLE
SEAL CENTERED OVER JOINT
ADHERED WITH TREMCO
DYMONIC 100 AT BOTH ENDS

Section A-A



NOTE:

1. DRYVIT RECOMMENDS THAT GROUND FLOOR APPLICATIONS AND ALL FACADES EXPOSED TO ABNORMAL STRESS, HIGH TRAFFIC, OR DELIBERATE IMPACT HAVE THE BASE COAT REINFORCED WITH PANZER® MESH PRIOR TO STANDARD™ OR STANDARD PLUS™ MESH. LOCATION OF HIGH IMPACT ZONES SHOULD BE INDICATED ON CONTRACT DRAWINGS.
2. EXPANSION JOINT IN THE OUTSULATION MD SYSTEM IS NECESSARY WHERE SIGNIFICANT DIFFERENTIAL MOVEMENT IS EXPECTED AT FLOOR LINES.
3. LIGHTLY SAND SURFACE OF DRYVIT VENT TRACK TO MAXIMIZE ADHESION.
4. LOCATE EXTERNAL SEALANT JOINT WITHIN 2" (51 MM) OF BREAK IN SHEATHING.
5. SLOT IN DRYVIT VENT TRACK MUST BE POSITIONED OVER DRYVIT VENT ASSEMBLY.
6. REFER TO PRODUCT DATA SHEETS FOR SPECIFIC APPLICATION METHODS.
7. SEALANT SHALL TURN IN AT DRYVIT VENT ASSEMBLY LOCATIONS TO ALLOW FOR DRAINAGE. SEE SECTION A-A.
8. THE ONLY WRB TO BE USED WITH BACKSTOP® FLASH AND FILL IS BACKSTOP® NTX™.

The architecture, engineering, and design of the project using the Dryvit and Tremco products are the responsibility of the project's design professional. All products and systems must comply with local building codes and standards. This detail is for general information and guidance only and Dryvit and Tremco specifically disclaims any liability for the use of this detail. The project design professional determines, in its sole discretion, whether this detail or a functionally equivalent detail is best suited for the project. This detail is subject to change without notice. Contact Dryvit and Tremco to ensure you have the most recent version.

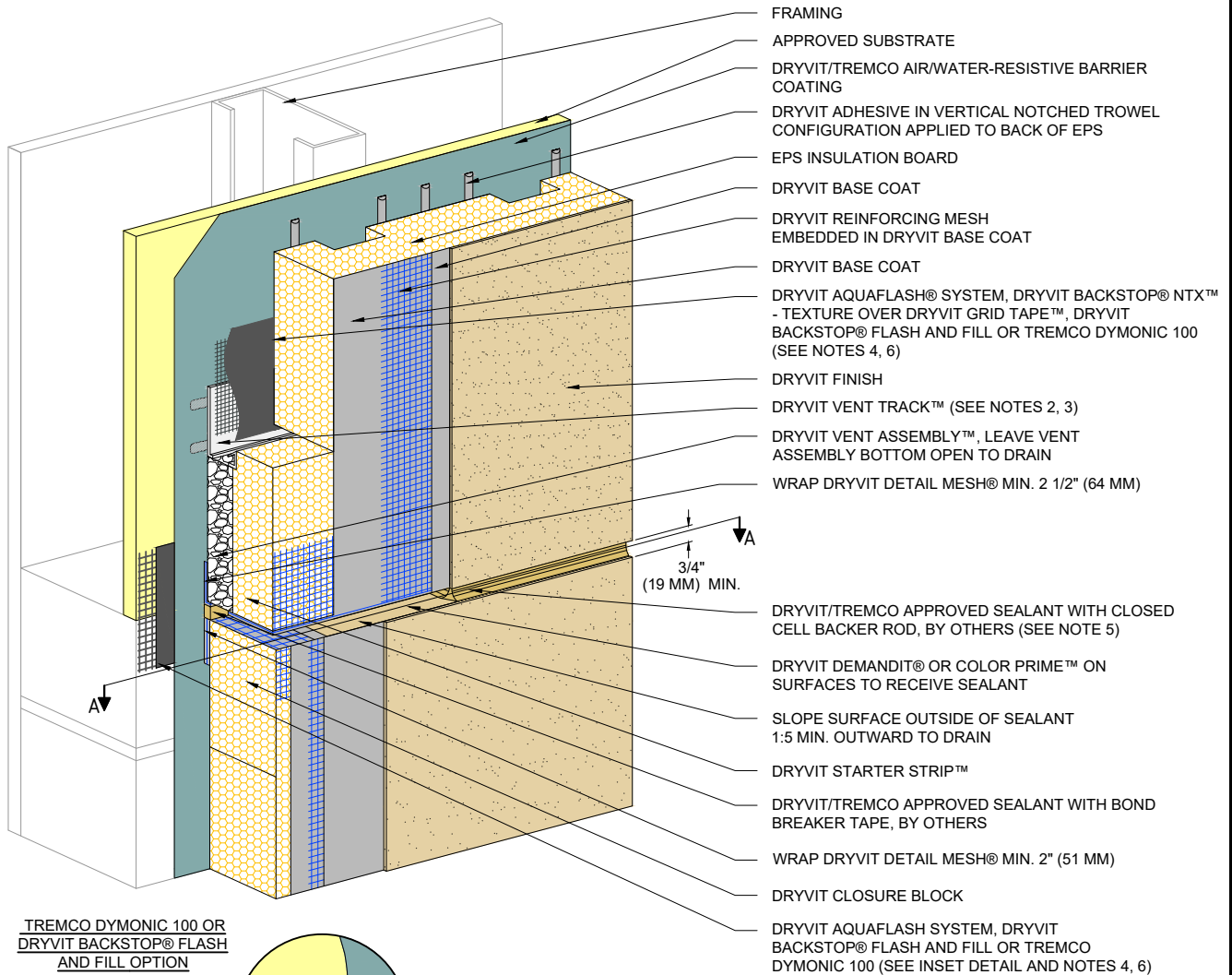
Outsulation® MD System®



Dryvit Technical Support: 800-556-7752

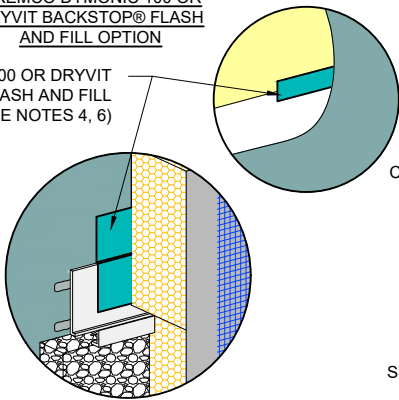
| | | | | |
|--|----------------|------------|--------|------------|
| Detail: Horizontal Joint at Slip Track | | | | File Name: |
| Drawn by: KAB | Checked by: CB | Scale: NTS | 1/2022 | OMD 28 |
| www.tremcoepg.com | | | | |



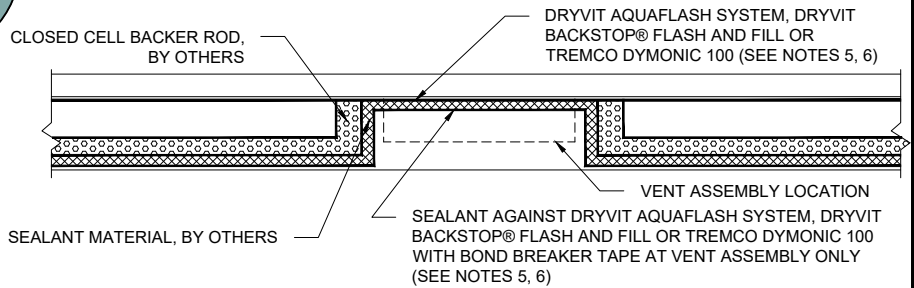


TREMCO DYMONIC 100 OR DRYVIT BACKSTOP® FLASH AND FILL OPTION

DYMONIC 100 OR DRYVIT BACKSTOP® FLASH AND FILL (SEE NOTES 4, 6)



Section A-A



NOTE:

1. DRYVIT RECOMMENDS THAT GROUND FLOOR APPLICATIONS AND ALL FACADES EXPOSED TO ABNORMAL STRESS, HIGH TRAFFIC, OR DELIBERATE IMPACT HAVE THE BASE COAT REINFORCED WITH PANZER® MESH PRIOR TO STANDARD™ OR STANDARD PLUS™ MESH. LOCATION OF HIGH IMPACT ZONES SHOULD BE INDICATED ON CONTRACT DRAWINGS.

2. SLOT IN DRYVIT VENT TRACK MUST BE POSITIONED OVER DRYVIT VENT ASSEMBLY.

3. LIGHTLY SAND SURFACE OF DRYVIT VENT TRACK TO MAXIMIZE ADHESION.

4. REFER TO PRODUCT DATA SHEETS FOR SPECIFIC APPLICATION METHODS.

5. SEALANT SHALL TURN IN AT DRYVIT VENT ASSEMBLY LOCATIONS TO ALLOW FOR DRAINAGE. SEE SECTION A-A.

6. THE ONLY WRB TO BE USED WITH BACKSTOP® FLASH AND FILL IS BACKSTOP® NTX™.

The architecture, engineering, and design of the project using the Dryvit and Tremco products are the responsibility of the project's design professional. All products and systems must comply with local building codes and standards. This detail is for general information and guidance only and Dryvit and Tremco specifically disclaims any liability for the use of this detail. The project design professional determines, in its sole discretion, whether this detail or a functionally equivalent detail is best suited for the project. This detail is subject to change without notice. Contact Dryvit and Tremco to ensure you have the most recent version.

Outsulation® MD System®



Dryvit Technical Support: 800-556-7752

Detail: Horizontal Joint - Substrate Change

Drawn by: KAB

Checked by: CB

Scale: NTS

1/2022

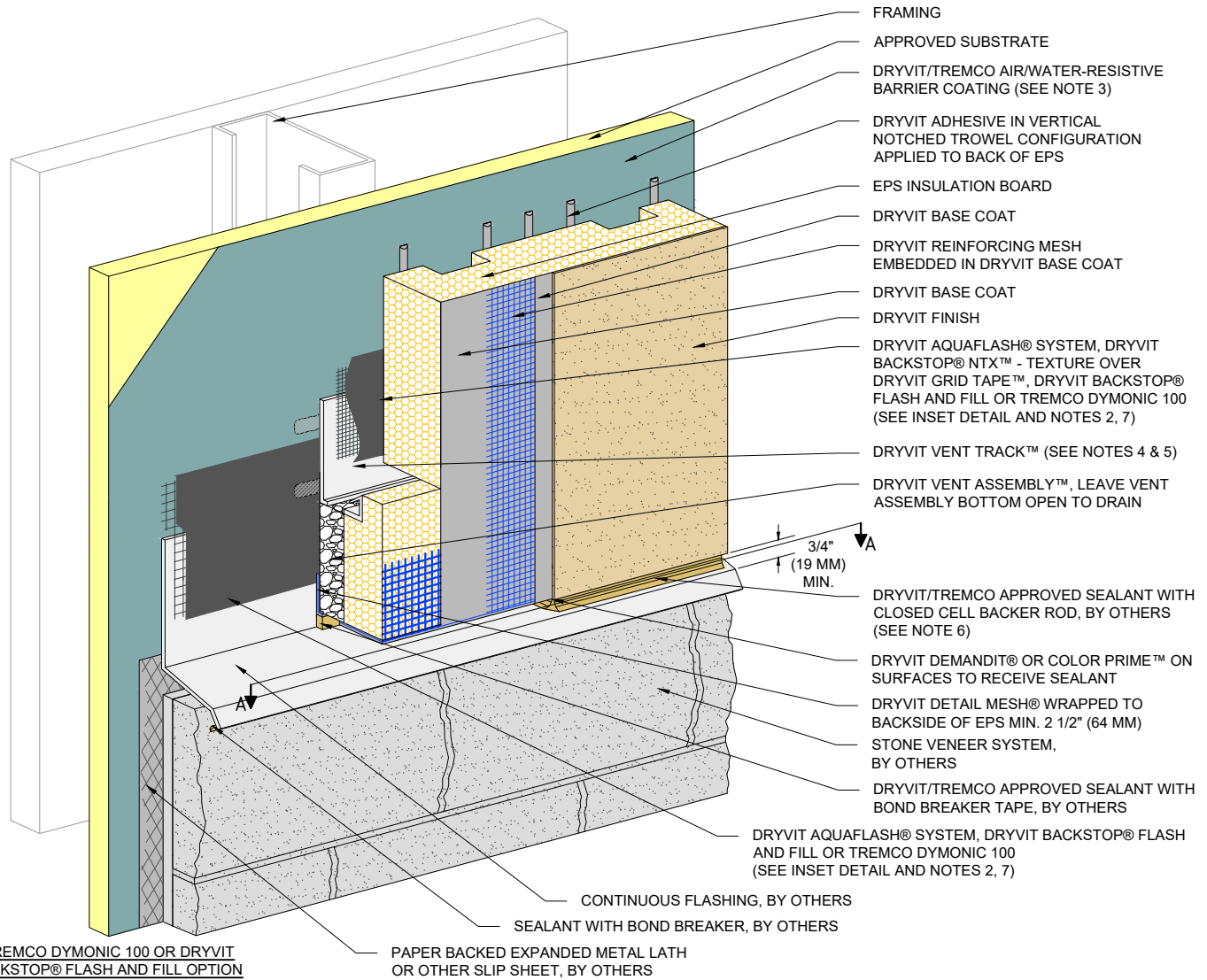
File Name:

OMD 29

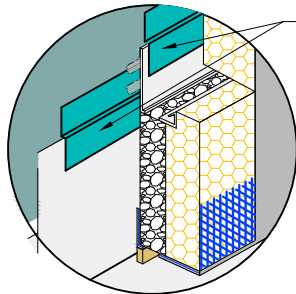


Construction Products Group

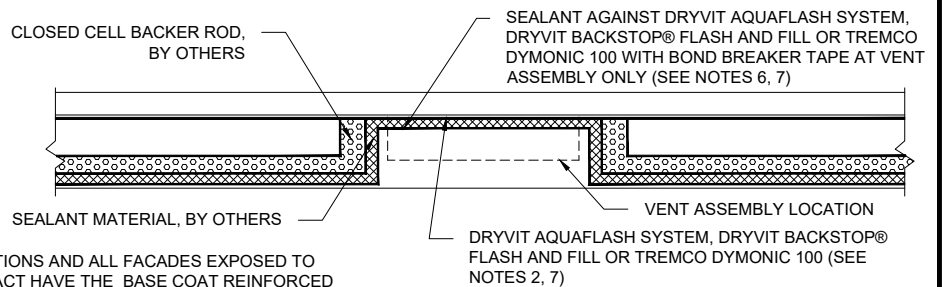
www.tremcoapg.com



TREMCO DYMONIC 100 OR DRYVIT BACKSTOP® FLASH AND FILL OPTION



Section A-A



NOTE:

1. DRYVIT RECOMMENDS THAT GROUND FLOOR APPLICATIONS AND ALL FACADES EXPOSED TO ABNORMAL STRESS, HIGH TRAFFIC, OR DELIBERATE IMPACT HAVE THE BASE COAT REINFORCED WITH PANZER® MESH PRIOR TO STANDARD™ OR STANDARD PLUS™ MESH. LOCATION OF HIGH IMPACT ZONES SHOULD BE INDICATED ON CONTRACT DRAWINGS.

2. REFER TO PRODUCT DATA SHEETS FOR SPECIFIC APPLICATION METHODS.

3. FOR INSTALLATION OF BACKSTOP® NTX™ BENEATH CLADDINGS OTHER THAN DRYVIT EIFS, REFER TO DRYVIT PUBLICATION DS840.

4. LIGHTLY SAND SURFACE OF DRYVIT VENT TRACK TO MAXIMIZE ADHESION.

5. SLOT IN DRYVIT VENT TRACK MUST BE POSITIONED OVER DRYVIT VENT ASSEMBLY.

6. SEALANT SHALL TURN IN AT DRYVIT VENT ASSEMBLY LOCATIONS TO ALLOW FOR DRAINAGE. SEE SECTION A-A.

7. THE ONLY WRB TO BE USED WITH BACKSTOP® FLASH AND FILL IS BACKSTOP® NTX™.

The architecture, engineering, and design of the project using the Dryvit and Tremco products are the responsibility of the project's design professional. All products and systems must comply with local building codes and standards. This detail is for general information and guidance only and Dryvit and Tremco specifically disclaims any liability for the use of this detail. The project design professional determines, in its sole discretion, whether this detail or a functionally equivalent detail is best suited for the project. This detail is subject to change without notice. Contact Dryvit and Tremco to ensure you have the most recent version.

Outsulation® MD System®



Dryvit Technical Support: 800-556-7752

Detail: Horizontal Termination at Stone Veneer

Drawn by: KAB

Checked by: CB

Scale: NTS

1/2022

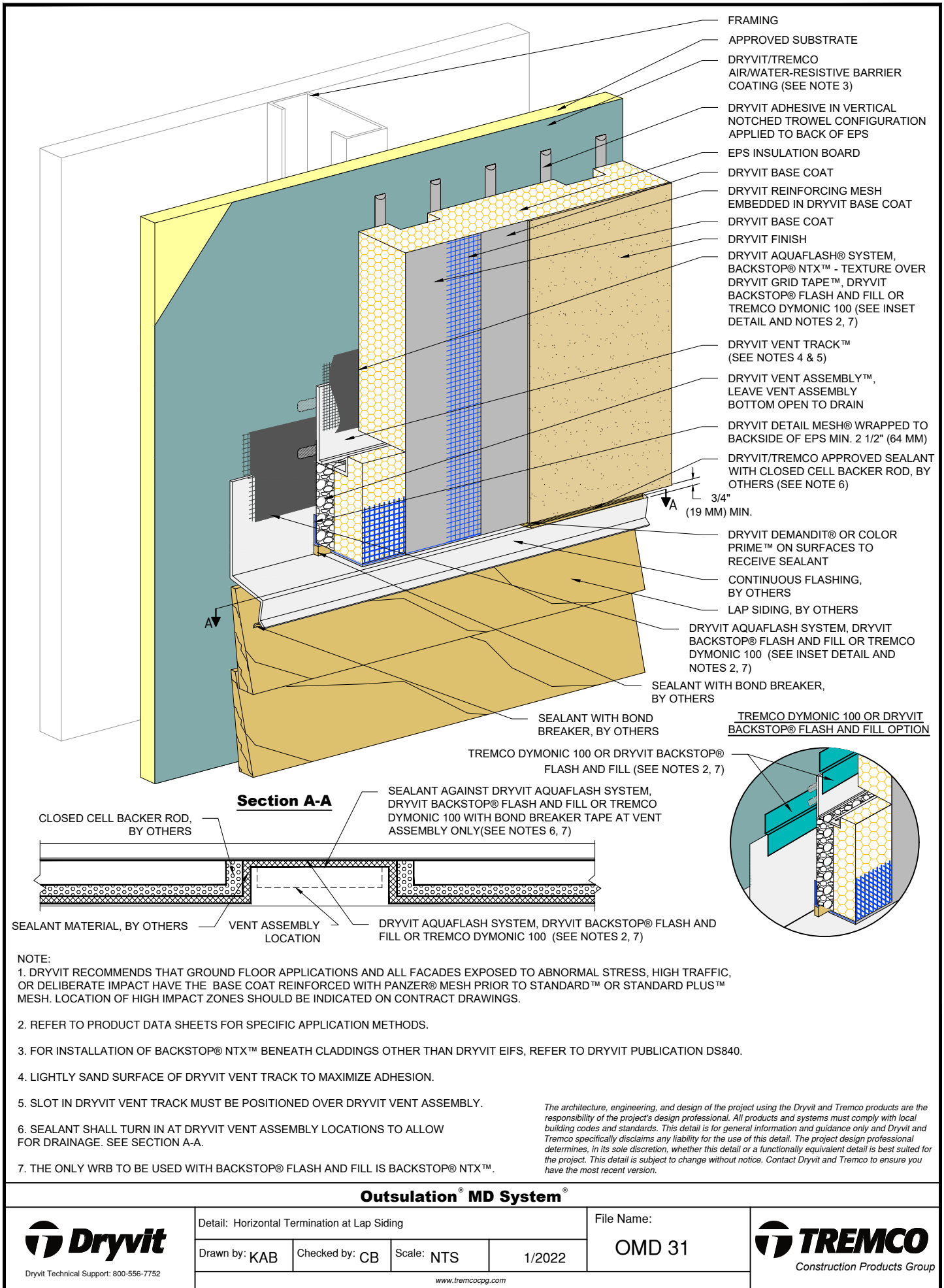
File Name:

OMD 30



Construction Products Group

www.tremcocpg.com



Outsulation® MD System®



Dryvit Technical Support: 800-556-7752

Detail: Horizontal Termination at Lap Siding

Drawn by: KAB

Checked by: CB

Scale: NTS

1/2022

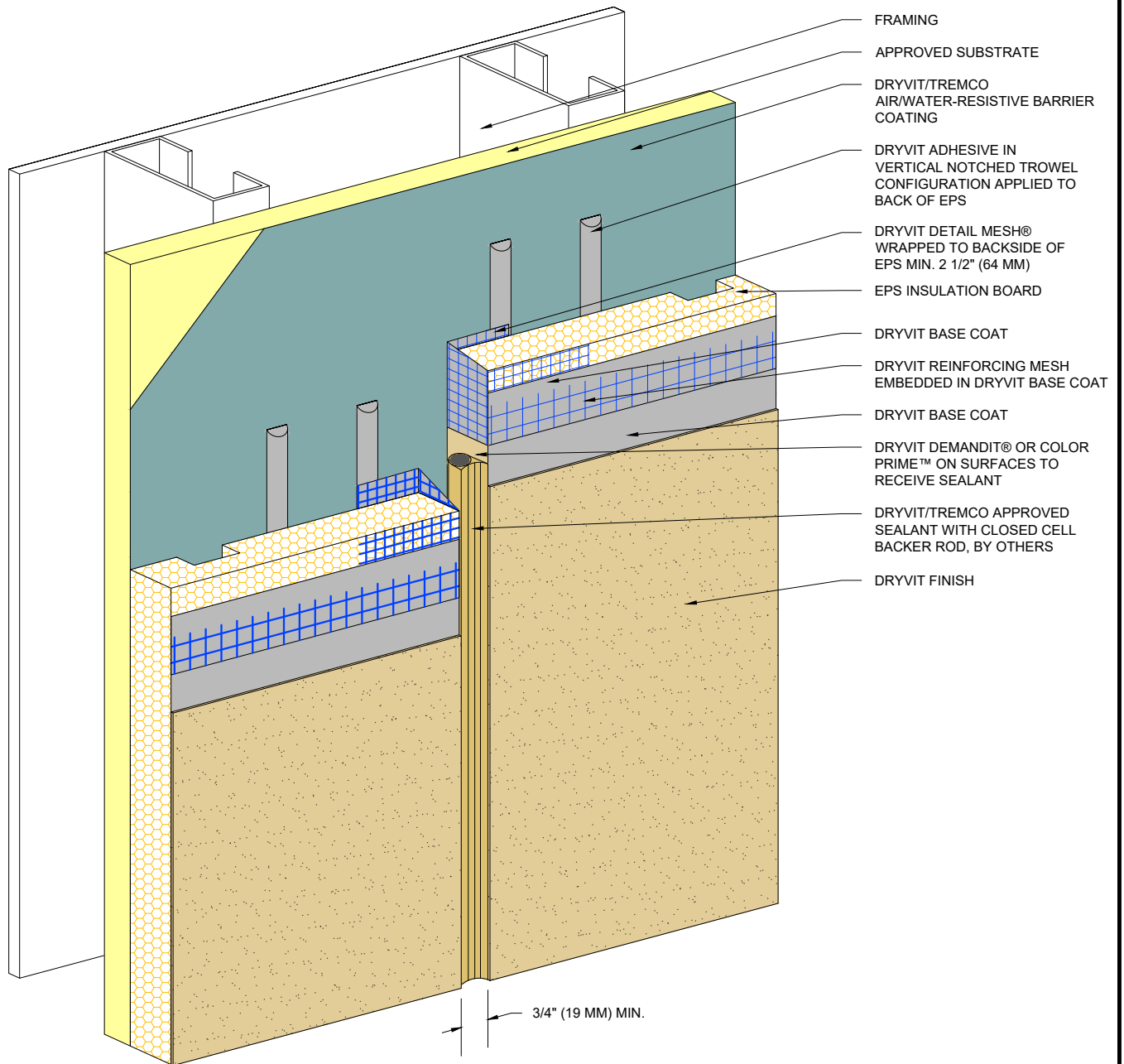
File Name:

OMD 31



Construction Products Group

www.tremcoapg.com



NOTE:

1. DRYVIT RECOMMENDS THAT GROUND FLOOR APPLICATIONS AND ALL FACADES EXPOSED TO ABNORMAL STRESS, HIGH TRAFFIC, OR DELIBERATE IMPACT HAVE THE BASE COAT REINFORCED WITH PANZER® MESH PRIOR TO STANDARD™ OR STANDARD PLUS™ MESH. LOCATION OF HIGH IMPACT ZONES SHOULD BE INDICATED ON CONTRACT DRAWINGS.

2. EIFS EXPANSION JOINTS ARE REQUIRED IN CONTINUOUS ELEVATIONS AT INTERVALS NOT EXCEEDING 75 FT (23 M).

The architecture, engineering, and design of the project using the Dryvit and Tremco products are the responsibility of the project's design professional. All products and systems must comply with local building codes and standards. This detail is for general information and guidance only and Dryvit and Tremco specifically disclaims any liability for the use of this detail. The project design professional determines, in its sole discretion, whether this detail or a functionally equivalent detail is best suited for the project. This detail is subject to change without notice. Contact Dryvit and Tremco to ensure you have the most recent version.

Outsulation® MD System®



Dryvit Technical Support: 800-556-7752

Detail: Vertical Expansion Joint - EIFS

Drawn by: KAB

Checked by: CB

Scale: NTS

1/2022

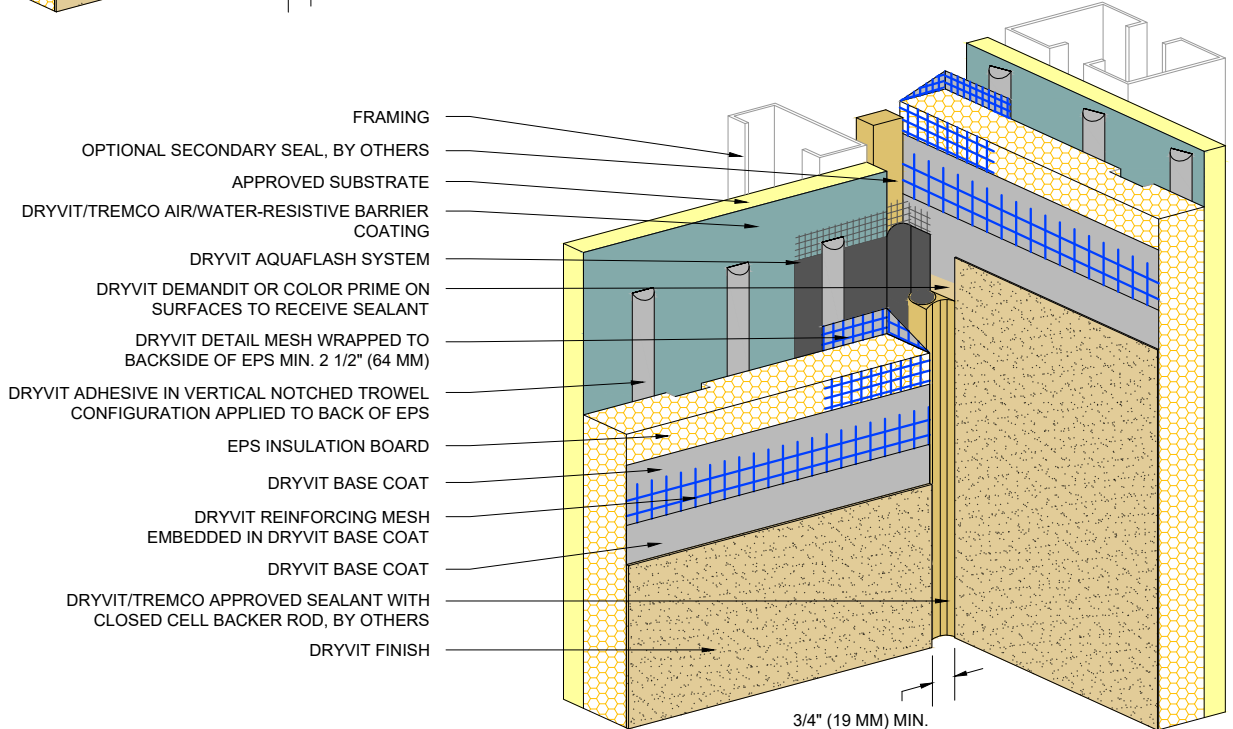
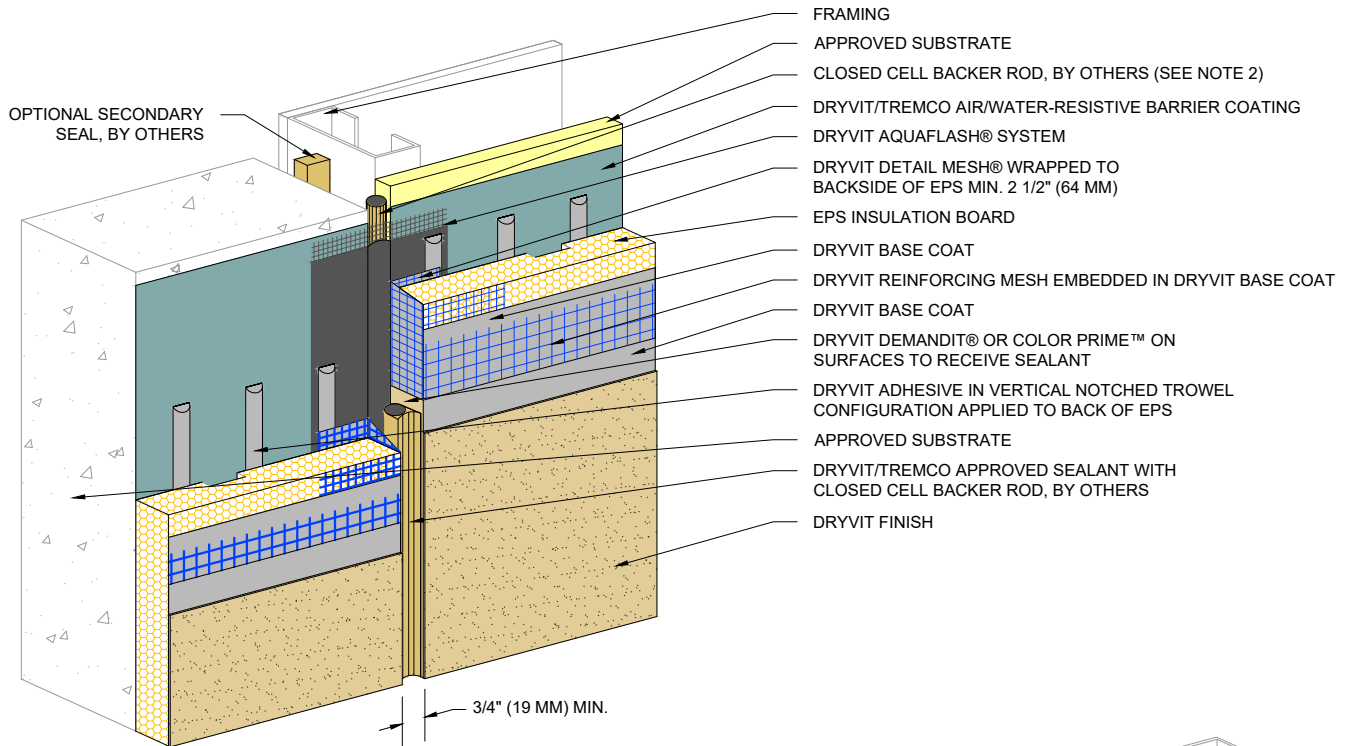
File Name:

OMD 32



Construction Products Group

www.tremcoepg.com



NOTE:

1. DRYVIT RECOMMENDS THAT GROUND FLOOR APPLICATIONS AND ALL FACADES EXPOSED TO ABNORMAL STRESS, HIGH TRAFFIC, OR DELIBERATE IMPACT HAVE THE BASE COAT REINFORCED WITH PANZER® MESH PRIOR TO STANDARD™ OR STANDARD PLUS™ MESH. LOCATION OF HIGH IMPACT ZONES SHOULD BE INDICATED ON CONTRACT DRAWINGS.

2. LOCATE EXTERNAL SEALANT JOINT WITHIN 2" (51 MM) OF SUBSTRATE JOINT.

The architecture, engineering, and design of the project using the Dryvit and Tremco products are the responsibility of the project's design professional. All products and systems must comply with local building codes and standards. This detail is for general information and guidance only and Dryvit and Tremco specifically disclaims any liability for the use of this detail. The project design professional determines, in its sole discretion, whether this detail or a functionally equivalent detail is best suited for the project. This detail is subject to change without notice. Contact Dryvit and Tremco to ensure you have the most recent version.

Outsulation® MD System®



Dryvit Technical Support: 800-556-7752

Detail: Through - Wall Expansion Joint

Drawn by: KAB

Checked by: CB

Scale: NTS

Date: 1/2022

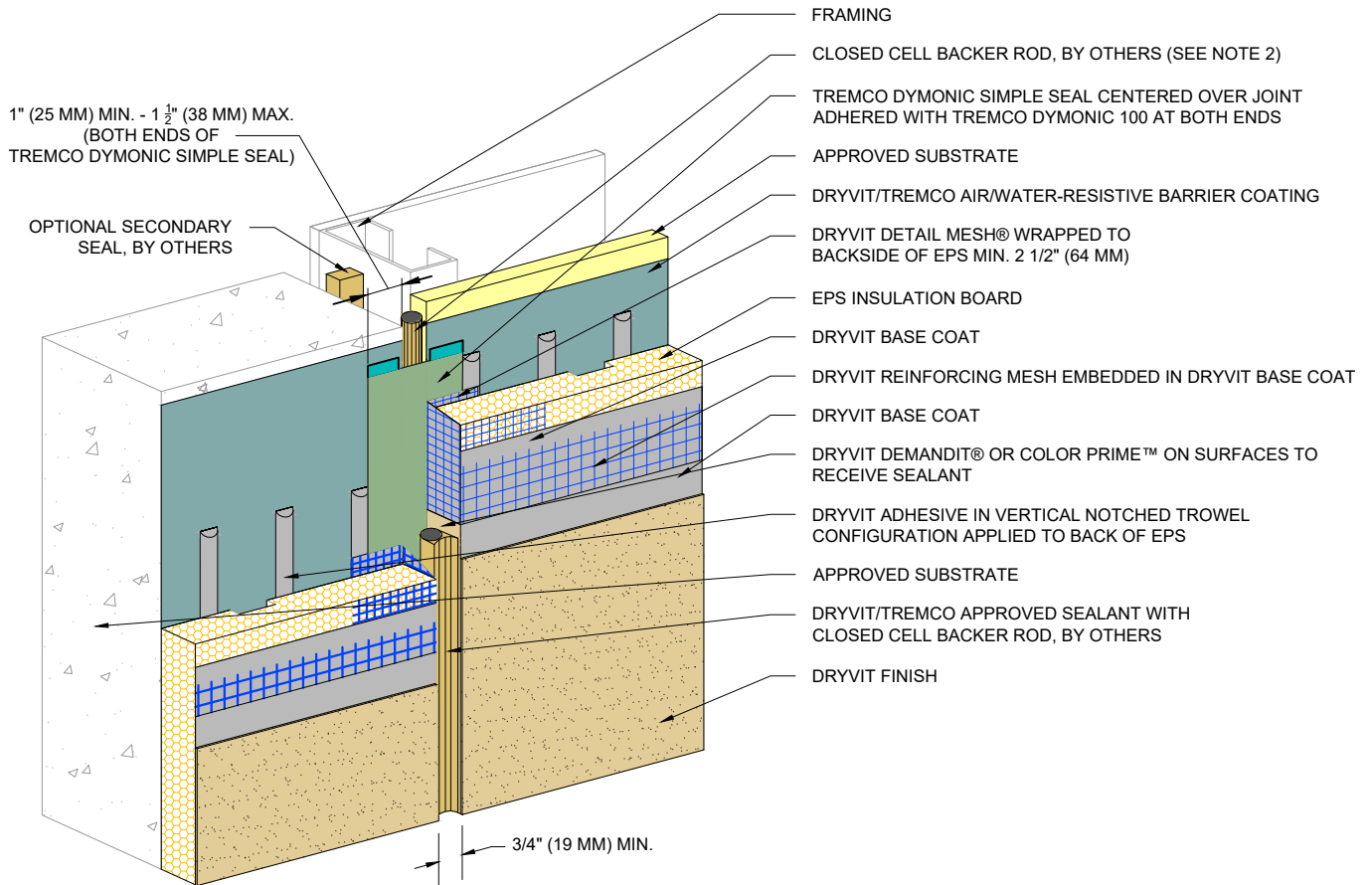
File Name:

OMD 33



Construction Products Group

www.tremcocpg.com



NOTE:
 1. DRYVIT RECOMMENDS THAT GROUND FLOOR APPLICATIONS AND ALL FACADES EXPOSED TO ABNORMAL STRESS, HIGH TRAFFIC, OR DELIBERATE IMPACT HAVE THE BASE COAT REINFORCED WITH PANZER® MESH PRIOR TO STANDARD™ OR STANDARD PLUS™ MESH. LOCATION OF HIGH IMPACT ZONES SHOULD BE INDICATED ON CONTRACT DRAWINGS.

2. LOCATE EXTERNAL SEALANT JOINT WITHIN 2" (51 MM) OF SUBSTRATE JOINT.

The architecture, engineering, and design of the project using the Dryvit and Tremco products are the responsibility of the project's design professional. All products and systems must comply with local building codes and standards. This detail is for general information and guidance only and Dryvit and Tremco specifically disclaims any liability for the use of this detail. The project design professional determines, in its sole discretion, whether this detail or a functionally equivalent detail is best suited for the project. This detail is subject to change without notice. Contact Dryvit and Tremco to ensure you have the most recent version.

Outsulation® MD System®



Dryvit Technical Support: 800-556-7752

Detail: Through-Wall Expansion Joint - Tremco Dymonic Simple Seal Option

Drawn by: KAB

Checked by: CB

Scale: NTS

Date: 1/2022

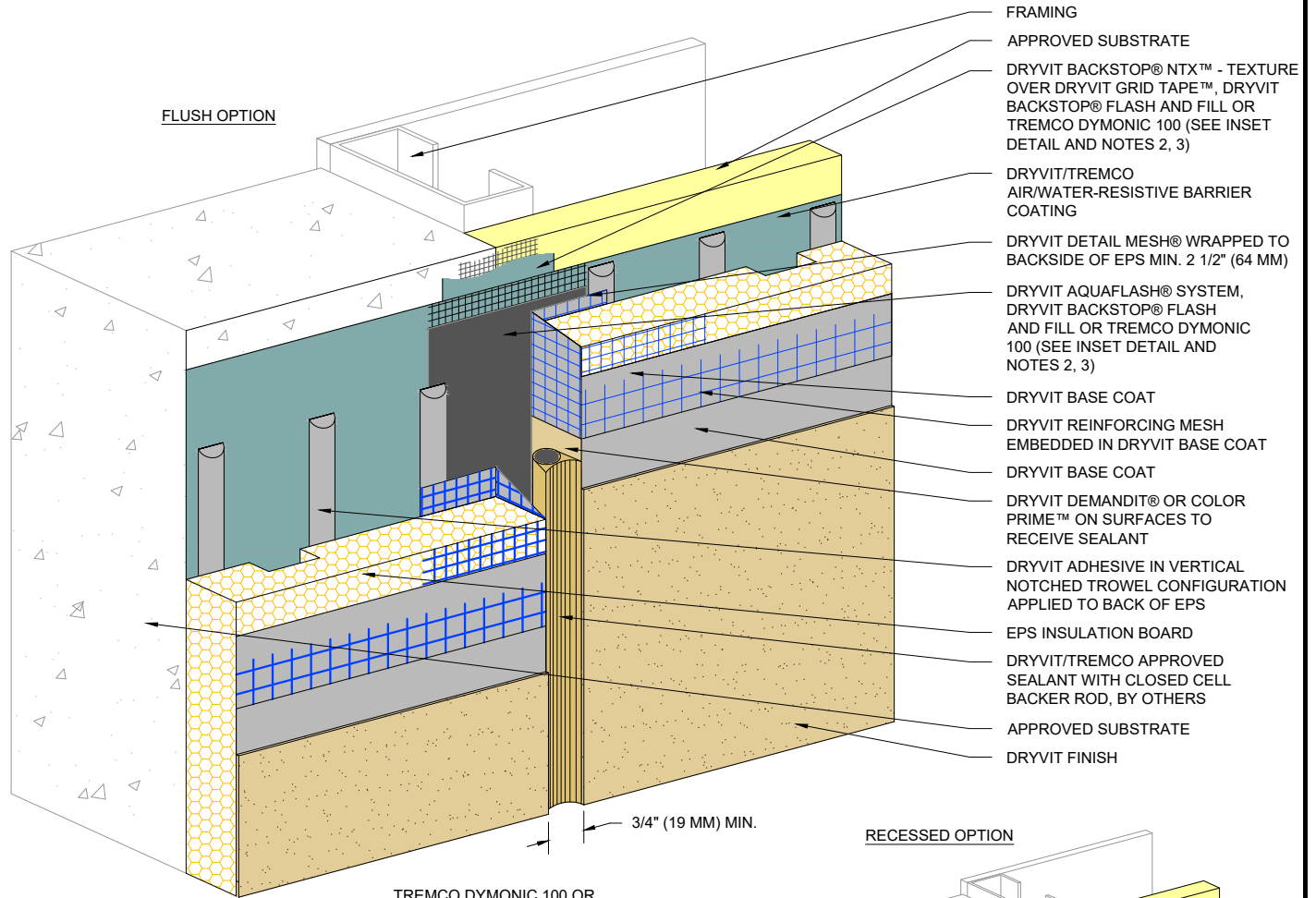
File Name:

OMD 33a

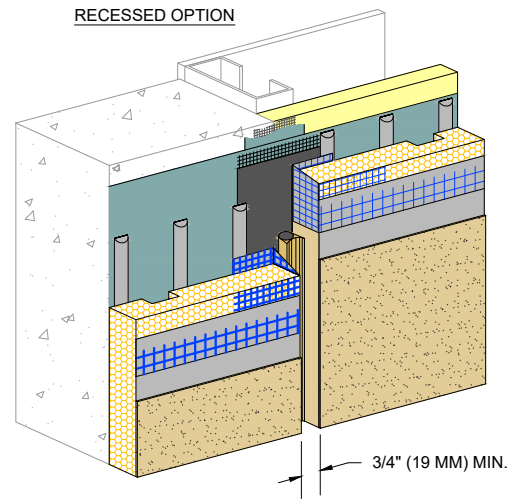
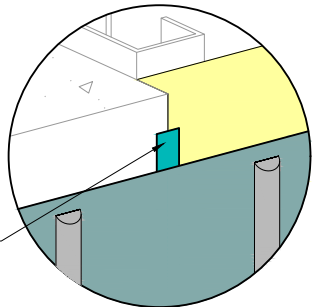


Construction Products Group

www.tremcocpg.com



TREMCO DYMONIC 100 OR DRYVIT BACKSTOP® FLASH AND FILL OPTION



NOTE:
 1. DRYVIT RECOMMENDS THAT GROUND FLOOR APPLICATIONS AND ALL FACADES EXPOSED TO ABNORMAL STRESS, HIGH TRAFFIC, OR DELIBERATE IMPACT HAVE THE BASE COAT REINFORCED WITH PANZER® MESH PRIOR TO STANDARD™ OR STANDARD PLUS™ MESH. LOCATION OF HIGH IMPACT ZONES SHOULD BE INDICATED ON CONTRACT DRAWINGS.

2. REFER TO PRODUCT DATA SHEETS FOR SPECIFIC APPLICATION METHODS.

3. THE ONLY WRB TO BE USED WITH BACKSTOP® FLASH AND FILL IS BACKSTOP® NTX™.

The architecture, engineering, and design of the project using the Dryvit and Tremco products are the responsibility of the project's design professional. All products and systems must comply with local building codes and standards. This detail is for general information and guidance only and Dryvit and Tremco specifically disclaims any liability for the use of this detail. The project design professional determines, in its sole discretion, whether this detail or a functionally equivalent detail is best suited for the project. This detail is subject to change without notice. Contact Dryvit and Tremco to ensure you have the most recent version.

Outsulation® MD System®



Dryvit Technical Support: 800-556-7752

Detail: Vertical Expansion Joint - Flush and Recessed Options

Drawn by: KAB

Checked by: CB

Scale: NTS

Date: 1/2022

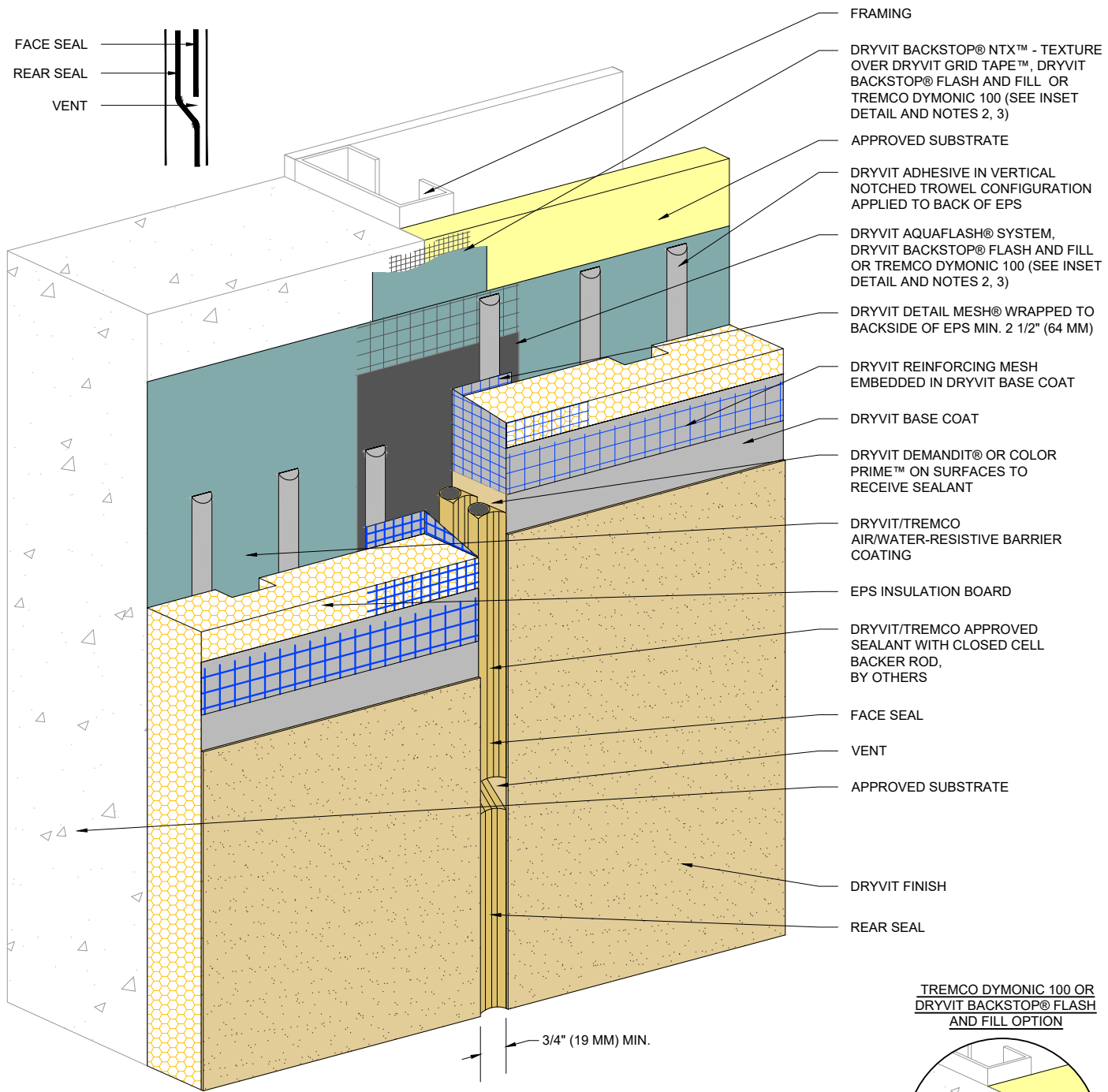
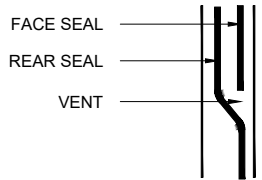
File Name:

OMD 34

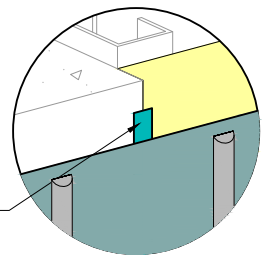


Construction Products Group

www.tremcocpg.com



TREMCO DYMONIC 100 OR DRYVIT BACKSTOP® FLASH AND FILL OPTION



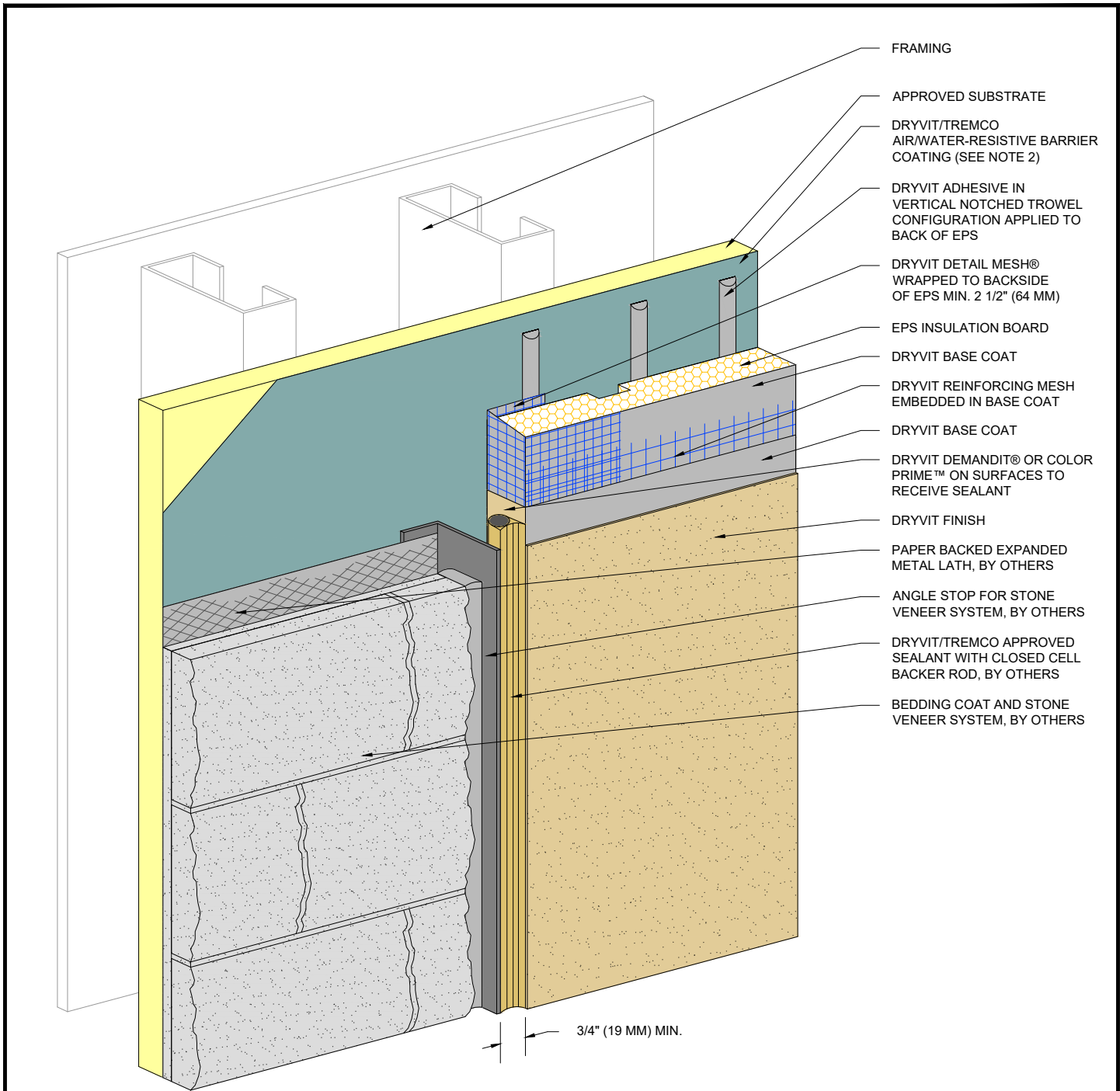
TREMCO DYMONIC 100 OR DRYVIT BACKSTOP® FLASH AND FILL (SEE NOTES 2, 3)

- NOTE:**
1. DRYVIT RECOMMENDS THAT GROUND FLOOR APPLICATIONS AND ALL FACADES EXPOSED TO ABNORMAL STRESS, HIGH TRAFFIC, OR DELIBERATE IMPACT HAVE THE BASE COAT REINFORCED WITH PANZER® MESH PRIOR TO STANDARD™ OR STANDARD PLUS™ MESH. LOCATION OF HIGH IMPACT ZONES SHOULD BE INDICATED ON CONTRACT DRAWINGS.
 2. REFER TO PRODUCT DATA SHEETS FOR SPECIFIC APPLICATION METHODS.
 3. THE ONLY WRB TO BE USED WITH BACKSTOP® FLASH AND FILL IS BACKSTOP® NTX™.

The architecture, engineering, and design of the project using the Dryvit and Tremco products are the responsibility of the project's design professional. All products and systems must comply with local building codes and standards. This detail is for general information and guidance only and Dryvit and Tremco specifically disclaims any liability for the use of this detail. The project design professional determines, in its sole discretion, whether this detail or a functionally equivalent detail is best suited for the project. This detail is subject to change without notice. Contact Dryvit and Tremco to ensure you have the most recent version.

Outsulation® MD System®

| | | | | | | |
|--|---|----------------|------------|--------------|------------|---------------------------------|
| Dryvit Technical Support: 800-556-7752 | Detail: Vertical Expansion Joint - Double Seal Option | | | | File Name: | Construction Products Group |
| | Drawn by: KAB | Checked by: CB | Scale: NTS | Date: 1/2022 | OMD 35 | |
| www.tremcocpg.com | | | | | | |



NOTE:
 1. DRYVIT RECOMMENDS THAT GROUND FLOOR APPLICATIONS AND ALL FACADES EXPOSED TO ABNORMAL STRESS, HIGH TRAFFIC, OR DELIBERATE IMPACT HAVE THE BASE COAT REINFORCED WITH PANZER® MESH PRIOR TO STANDARD™ OR STANDARD PLUS™ MESH. LOCATION OF HIGH IMPACT ZONES SHOULD BE INDICATED ON CONTRACT DRAWINGS.

2. FOR INSTALLATION OF BACKSTOP® NTX™ BENEATH CLADDINGS OTHER THAN DRYVIT EIFS, REFER TO DRYVIT PUBLICATION DS840.

The architecture, engineering, and design of the project using the Dryvit and Tremco products are the responsibility of the project's design professional. All products and systems must comply with local building codes and standards. This detail is for general information and guidance only and Dryvit and Tremco specifically disclaims any liability for the use of this detail. The project design professional determines, in its sole discretion, whether this detail or a functionally equivalent detail is best suited for the project. This detail is subject to change without notice. Contact Dryvit and Tremco to ensure you have the most recent version.

Outsulation® MD System®



Dryvit Technical Support: 800-556-7752

Detail: Vertical Termination at Stone Veneer

Drawn by: KAB

Checked by: CB

Scale: NTS

Date: 1/2022

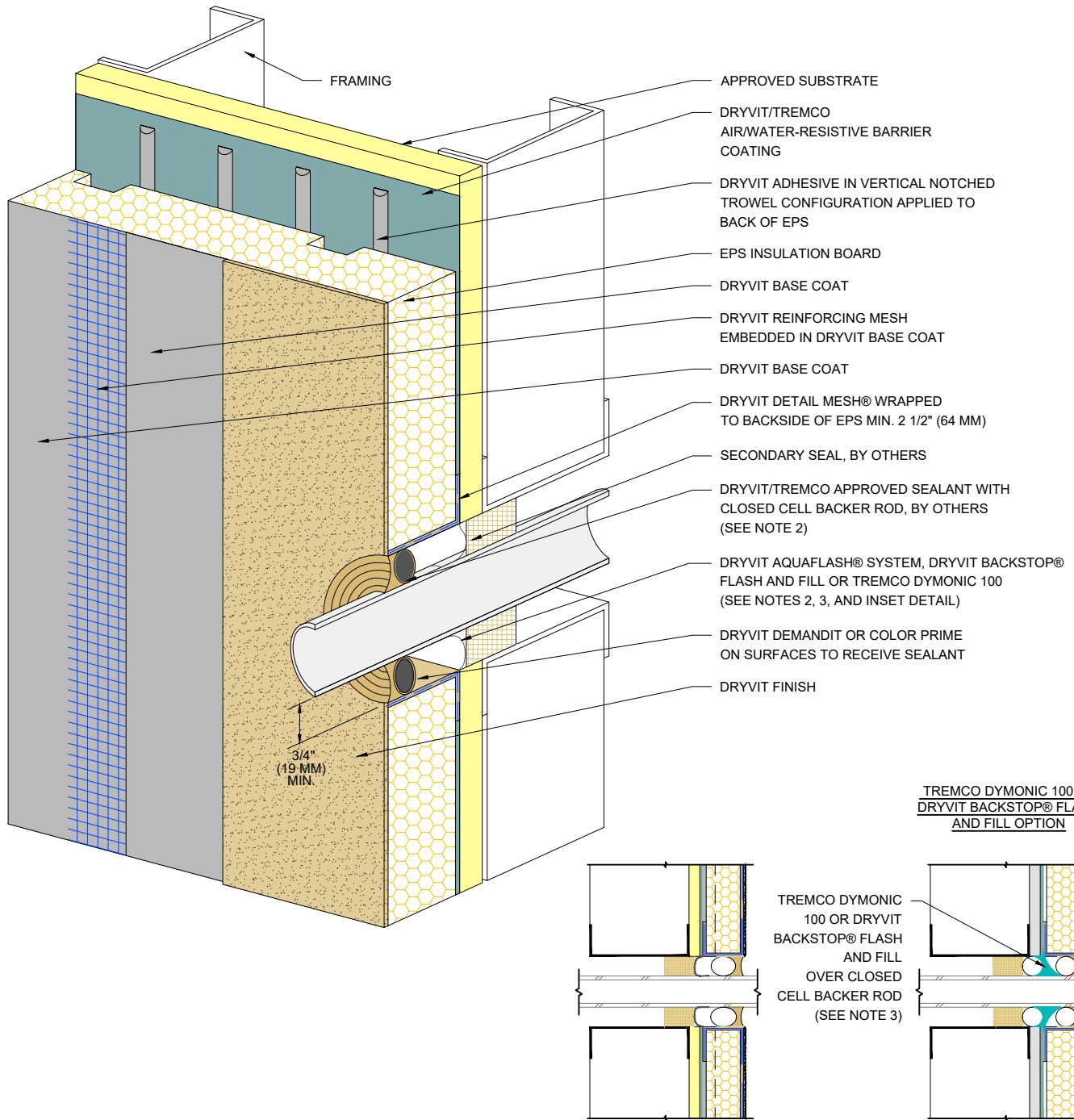
File Name:

OMD 36



Construction Products Group

www.tremcocpg.com



NOTE:
 1. DRYVIT RECOMMENDS THAT GROUND FLOOR APPLICATIONS AND ALL FACADES EXPOSED TO ABNORMAL STRESS, HIGH TRAFFIC, OR DELIBERATE IMPACT HAVE THE BASE COAT REINFORCED WITH PANZER® MESH PRIOR TO STANDARD™ OR STANDARD PLUS™ MESH. LOCATION OF HIGH IMPACT ZONES SHOULD BE INDICATED ON CONTRACT DRAWINGS.

2. REFER TO PRODUCT DATA SHEETS FOR SPECIFIC APPLICATION METHODS.

3. THE ONLY WRB TO BE USED WITH BACKSTOP® FLASH AND FILL IS BACKSTOP® NTX™.

The architecture, engineering, and design of the project using the Dryvit and Tremco products are the responsibility of the project's design professional. All products and systems must comply with local building codes and standards. This detail is for general information and guidance only and Dryvit and Tremco specifically disclaims any liability for the use of this detail. The project design professional determines, in its sole discretion, whether this detail or a functionally equivalent detail is best suited for the project. This detail is subject to change without notice. Contact Dryvit and Tremco to ensure you have the most recent version.

Outsulation® MD System®



Dryvit Technical Support: 800-556-7752

Detail: Penetrations

Drawn by: KAB

Checked by: CB

Scale: NTS

Date: 1/2022

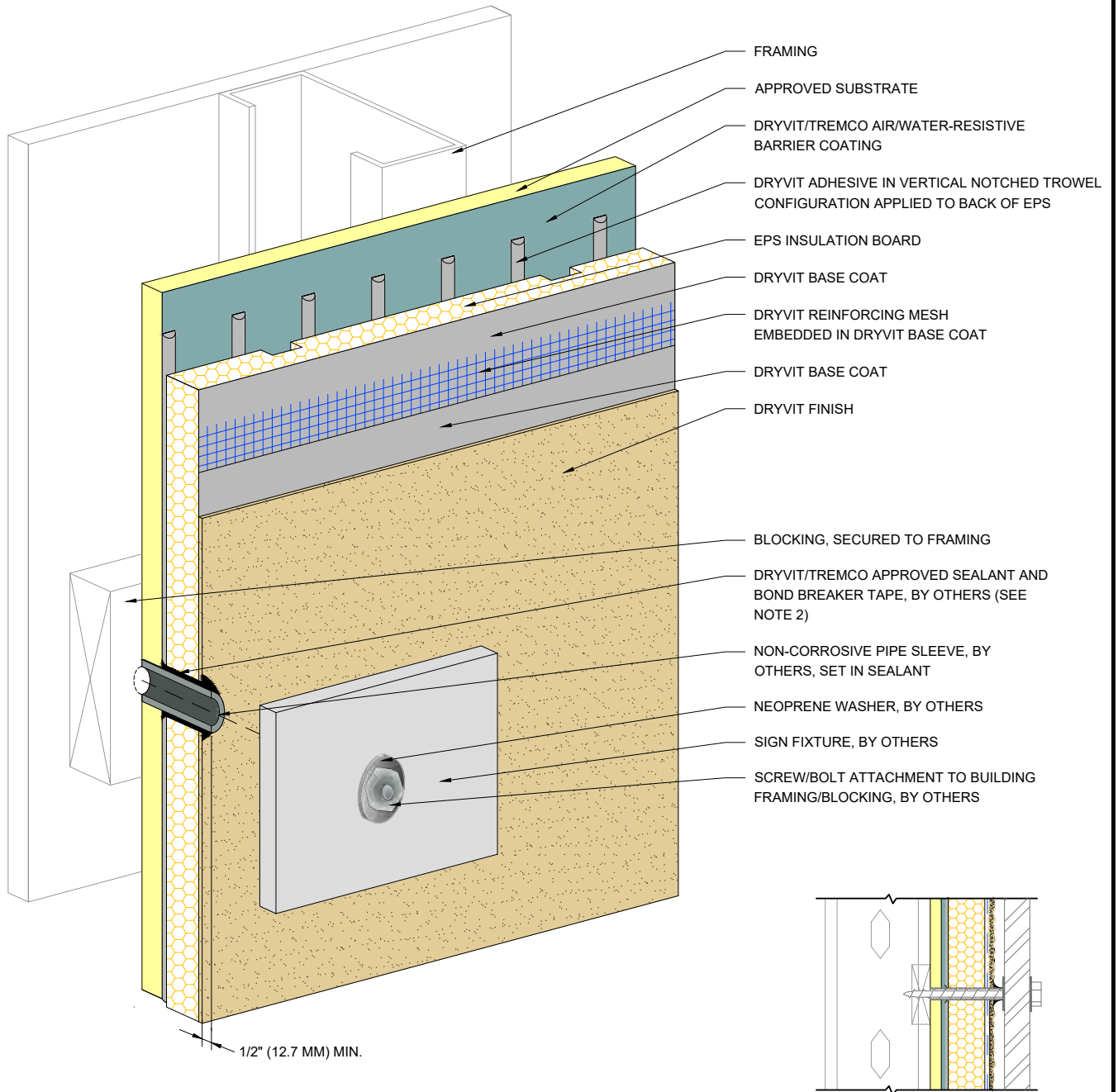
File Name:

OMD 37



Construction Products Group

www.tremcocpg.com



NOTE:

1. DRYVIT RECOMMENDS THAT GROUND FLOOR APPLICATIONS AND ALL FACADES EXPOSED TO ABNORMAL STRESS, HIGH TRAFFIC, OR DELIBERATE IMPACT HAVE THE BASE COAT REINFORCED WITH PANZER® MESH PRIOR TO STANDARD™ OR STANDARD PLUS™ MESH. LOCATION OF HIGH IMPACT ZONES SHOULD BE INDICATED ON CONTRACT DRAWINGS.

2. PERIMETER OF PIPE SLEEVE IS CAULKED TO PREVENT WATER ENTRY INTO WALL.

The architecture, engineering, and design of the project using the Dryvit and Tremco products are the responsibility of the project's design professional. All products and systems must comply with local building codes and standards. This detail is for general information and guidance only and Dryvit and Tremco specifically disclaims any liability for the use of this detail. The project design professional determines, in its sole discretion, whether this detail or a functionally equivalent detail is best suited for the project. This detail is subject to change without notice. Contact Dryvit and Tremco to ensure you have the most recent version.

Outsulation® MD System®



Dryvit Technical Support: 800-556-7752

Detail: Sign Attachment

Drawn by: KAB

Checked by: CB

Scale: NTS

Date: 1/2022

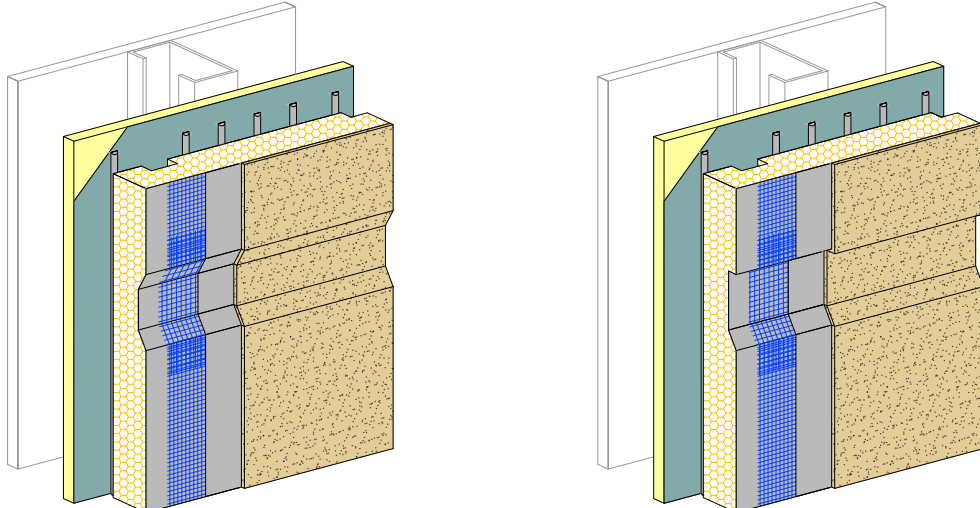
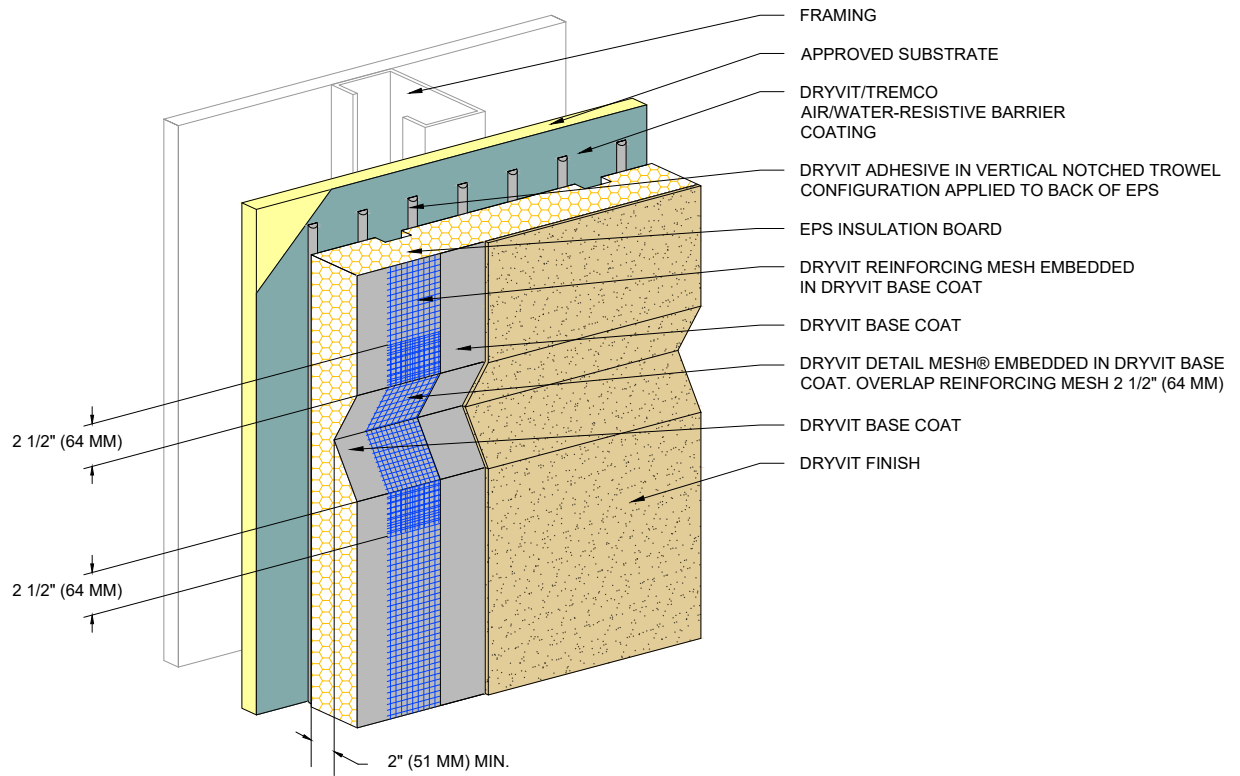
File Name:

OMD 38



Construction Products Group

www.tremcocpg.com





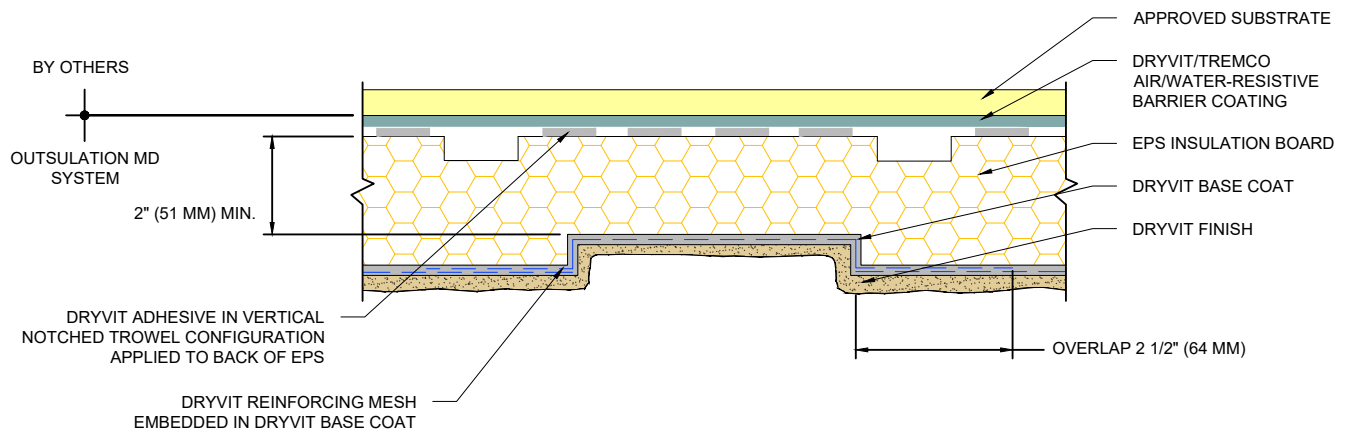
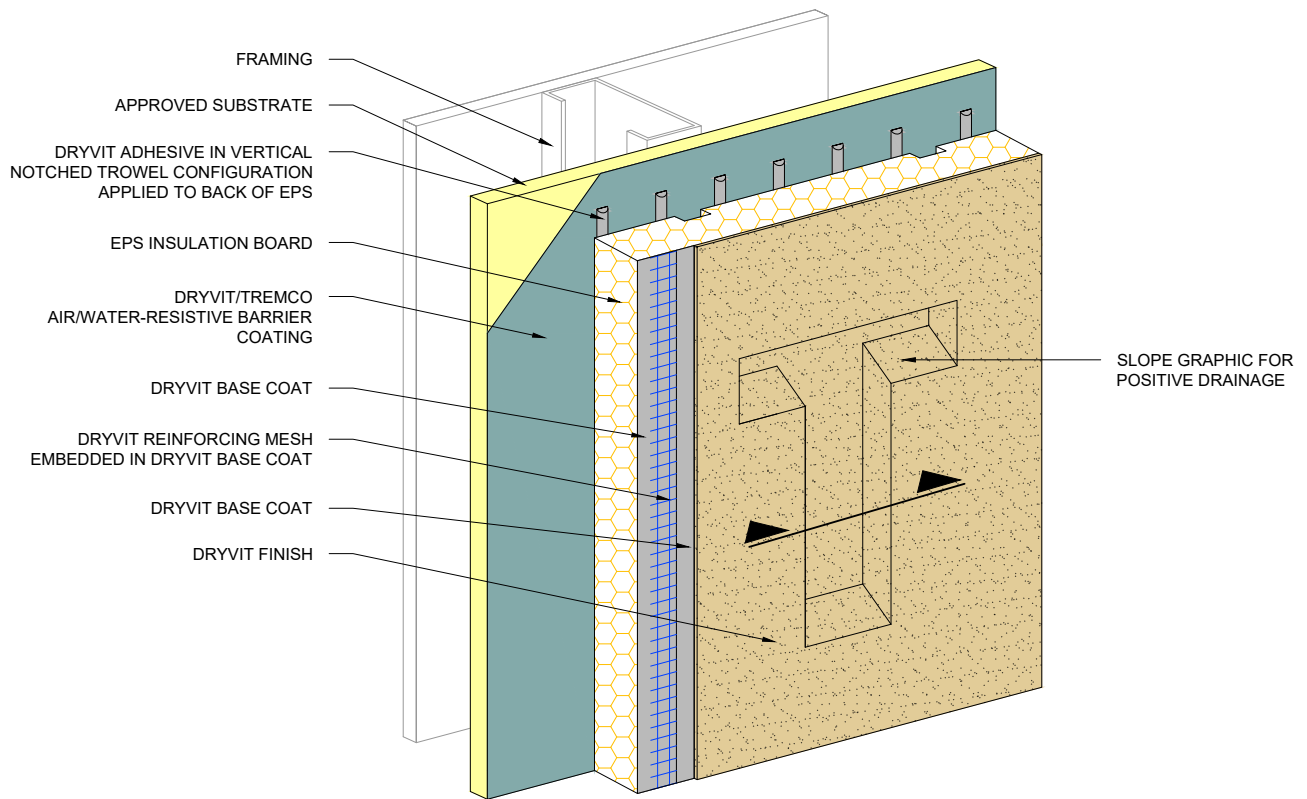
NOTE:
 1. DRYVIT RECOMMENDS THAT GROUND FLOOR APPLICATIONS AND ALL FACADES EXPOSED TO ABNORMAL STRESS, HIGH TRAFFIC, OR DELIBERATE IMPACT HAVE THE BASE COAT REINFORCED WITH PANZER® MESH PRIOR TO STANDARD™ OR STANDARD PLUS™ MESH. LOCATION OF HIGH IMPACT ZONES SHOULD BE INDICATED ON CONTRACT DRAWINGS.

2. SLOPE BOTTOM EDGE OF REVEAL FOR POSITIVE DRAINAGE.

The architecture, engineering, and design of the project using the Dryvit and Tremco products are the responsibility of the project's design professional. All products and systems must comply with local building codes and standards. This detail is for general information and guidance only and Dryvit and Tremco specifically disclaims any liability for the use of this detail. The project design professional determines, in its sole discretion, whether this detail or a functionally equivalent detail is best suited for the project. This detail is subject to change without notice. Contact Dryvit and Tremco to ensure you have the most recent version.

Outsulation® MD System®

| | | | | | | |
|---|---------------------------|----------------|------------|--------------|--------|--|
|  Dryvit Technical Support: 800-556-7752 | Detail: Aesthetic Reveals | | | File Name: | |  Construction Products Group |
| | Drawn by: KAB | Checked by: CB | Scale: NTS | Date: 1/2022 | OMD 39 | |
| www.tremcocpg.com | | | | | | |



The architecture, engineering, and design of the project using the Dryvit and Tremco products are the responsibility of the project's design professional. All products and systems must comply with local building codes and standards. This detail is for general information and guidance only and Dryvit and Tremco specifically disclaims any liability for the use of this detail. The project design professional determines, in its sole discretion, whether this detail or a functionally equivalent detail is best suited for the project. This detail is subject to change without notice. Contact Dryvit and Tremco to ensure you have the most recent version.

Outsulation® MD System®



Dryvit Technical Support: 800-556-7752

Detail: Recessed Graphics

Drawn by: KAB

Checked by: CB

Scale: NTS

Date: 1/2022

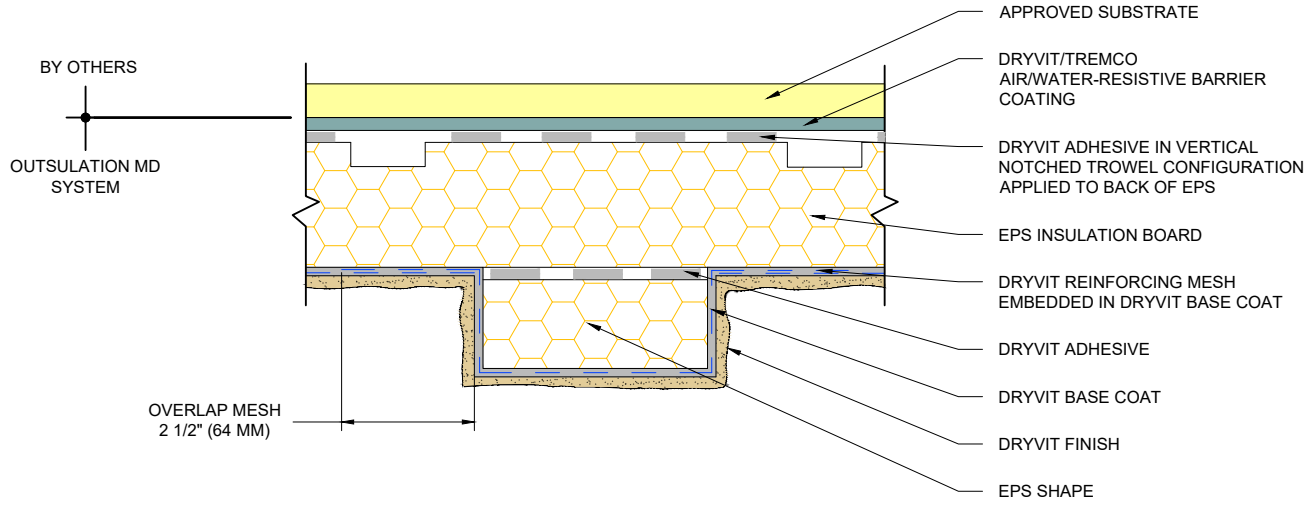
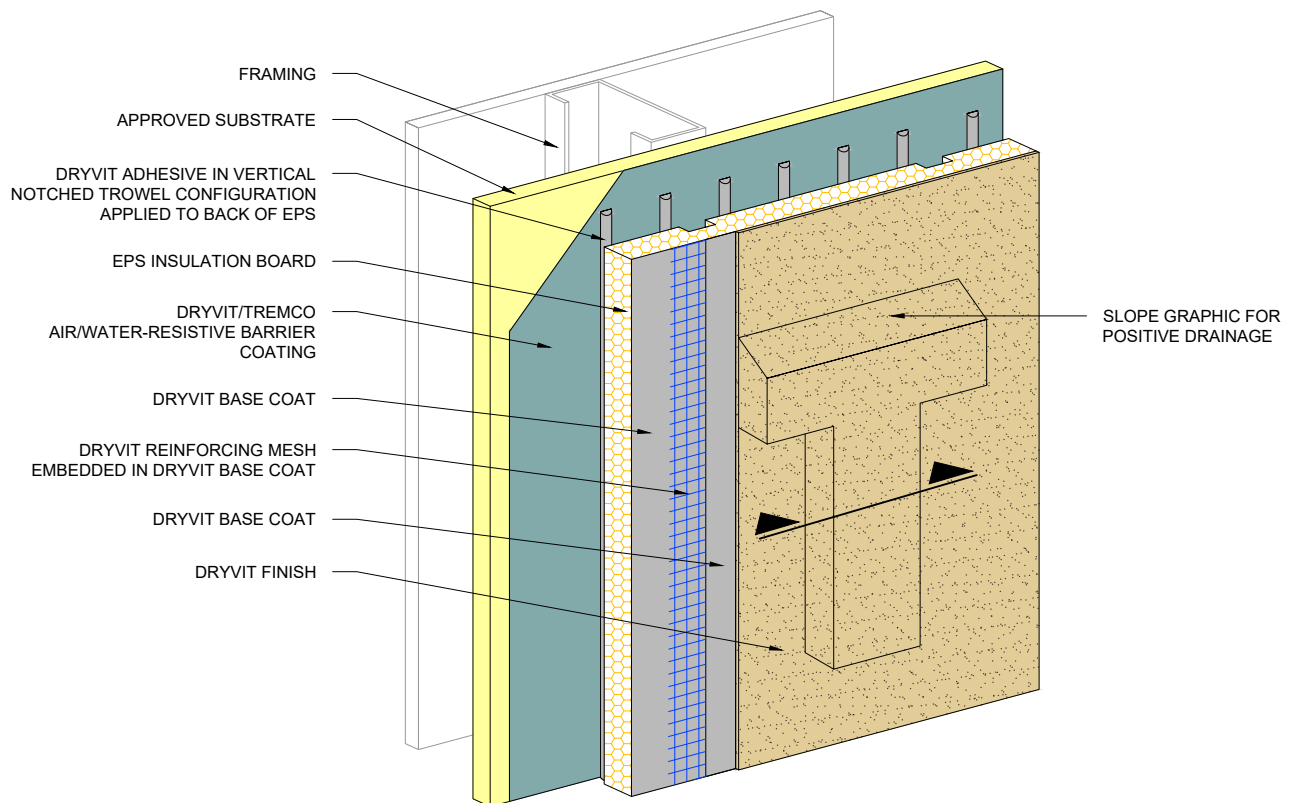
File Name:

OMD 40



Construction Products Group

www.tremcocpg.com



NOTE:
 1. MAXIMUM THICKNESS OF EPS BUILT OUT SHAPES SHALL NOT EXCEED 13" (330 MM) AT ANY POINT MEASURED FROM THE SUBSTRATE.

The architecture, engineering, and design of the project using the Dryvit and Tremco products are the responsibility of the project's design professional. All products and systems must comply with local building codes and standards. This detail is for general information and guidance only and Dryvit and Tremco specifically disclaims any liability for the use of this detail. The project design professional determines, in its sole discretion, whether this detail or a functionally equivalent detail is best suited for the project. This detail is subject to change without notice. Contact Dryvit and Tremco to ensure you have the most recent version.

Outsulation® MD System®



Dryvit Technical Support: 800-556-7752

Detail: Projecting Graphics

Drawn by: KAB Checked by: CB Scale: NTS Date: 1/2022

www.tremcocpg.com

File Name:

OMD 41



Construction Products Group