

**An Exterior Wall Insulation and Finish System with Moisture Drainage that  
Incorporates Continuous Insulation**

**DS107**

**Outsulation System  
Installation Details**

# Table of Contents

## Detail

OUTSULATION SYSTEM	OS 01
OUTSULATION SYSTEM STARTER BOARD OPTION	OS 01A
OPENING PREPARATION- AQUAFASH® SYSTEM OPTION	OS 02
OPENING PREPARATION- DYMONIC 100® OR FLASH AND FILL OPTION	OS 02A
INSIDE/OUTSIDE CORNERS	OS 03
OUTSIDE CORNER - HIGH IMPACT	OS 04
GRADE TERMINATION	OS 05
TERMINATION AT CONCRETE CURB	OS 06
TERMINATION AT ADA COMPLIANT SIDEWALK	OS 07
EPS PREPARATION AT WALL PENETRATIONS	OS 08
PREPARATION OF OPENING FOR STOREFRONT WINDOW	OS 09
PREPARATION OF OPENING FOR STOREFRONT WINDOW - DYMONIC 100 OR FLASH AND FILL OPTION	OS 09A
PREPARATION OF OPENING FOR NAIL-ON WINDOW	OS 10
PREPARATION OF OPENING FOR NAIL-ON WINDOW - DYMONIC 100 OR FLASH AND FILL OPTION	OS 10A
WINDOW HEAD	OS 11
TERMINATION AT WOOD FRAMED DECK	OS 12
TERMINATION AT WATERPROOF DECK	OS 13
PREPARATION AT PARAPET/ WALL INTERSECTION	OS 14
TERMINATION AT PARAPET - CAP FLASHING	OS 15
TERMINATION AT PARAPET - SOLID SUBSTRATE	OS 16
TERMINATION AT SLOPED ROOF	OS 17
VERTICAL WALL/SUSPENDED SOFFIT TRANSITION	OS 18
TRANSITION AT SOFFIT/ FASCIA INTERSECTION	OS 19

## Detail

FASCIA/UNINSULATED	OS 20
SOFFIT TRANSITION	
TERMINATION AT UNINSULATED SOFFIT VENT	OS 21
HORIZONTAL JOINT AT FLOOR LINE	OS 22
HORIZONTAL JOINT - SUBSTRATE CHANGE	OS 23
HORIZONTAL TERMINATION AT STONE VENEER	OS 24
HORIZONTAL TERMINATION AT STUCCO	OS 25
HORIZONTAL TERMINATION AT WOOD SIDING	OS 26
VERTICAL EXPANSION JOINT - EIFS	OS 27
THROUGH-WALL EXPANSION JOINT	OS 28
VERTICAL EXPANSION JOINT -	OS 29
VERTICAL EXPANSION JOINT - DOUBLE SEAL OPTION	OS 30
VERTICAL TERMINATION AT STONE VENEER	OS 31
PENETRATIONS	OS 32
SIGN ATTACHMENT	OS 33
AESTHETIC REVEALS	OS 34
RECESSED GRAPHICS	OS 35
PROJECTING GRAPHICS	OS 36

**NOTE:**

DRYVIT AND TREMCO MAKES NO REPRESENTATION REGARDING CONFORMITY OF ITS SUGGESTIONS TO MODEL BUILDING CODES, ENGINEERING CRITERIA, SPECIFIC APPLICATIONS, OR PROJECT LOCATIONS. ALL COMPONENTS INDICATED IN ILLUSTRATIONS, AS WELL AS OTHERS THAT MAY BE REQUIRED FOR THE INTEGRITY OF THE SYSTEM SHALL BE DESIGNED, DETAILED, AND ENGINEERED BY REPRESENTATIVES OF THE ARCHITECT, OWNER, OR CONTRACTOR TO BE IN CONFORMANCE WITH MODEL CODES, ARCHITECTURAL, AND ENGINEERING REQUIREMENTS PERTAINING TO SPECIFIC BUILDING PROJECTS.

DRYVIT AND TREMCO MAKE NO WARRANTY, EXPRESSED OR IMPLIED, AS TO THE ARCHITECTURAL DESIGN, ENGINEERING, OR WORKMANSHIP OF PROJECTS UTILIZING DRYVIT SYSTEMS OR PRODUCTS.

THE LIABILITIES OF DRYVIT AND TREMCO SHALL BE AS STATED IN THE DRYVIT STANDARD WARRANTY. CONTACT DRYVIT AND TREMCO FOR A FULL AND COMPLETE COPY OF THE WARRANTY.

*The architecture, engineering, and design of the project using the Dryvit products are the responsibility of the project's design professional. All products and systems must comply with local building codes and standards. This detail is for general information and guidance only and Dryvit specifically disclaims any liability for the use of this detail. The project design professional determines, in its sole discretion, whether this detail or a functionally equivalent detail is best suited for the project. This detail is subject to change without notice. Contact Dryvit to ensure you have the most recent version.*

### Outsulation® System



Dryvit Technical Support: 800-556-7752

Detail: Table of Contents

Drawn by: KAB

Checked by:

Scale: NTS

Date: 8/2023

File Name:

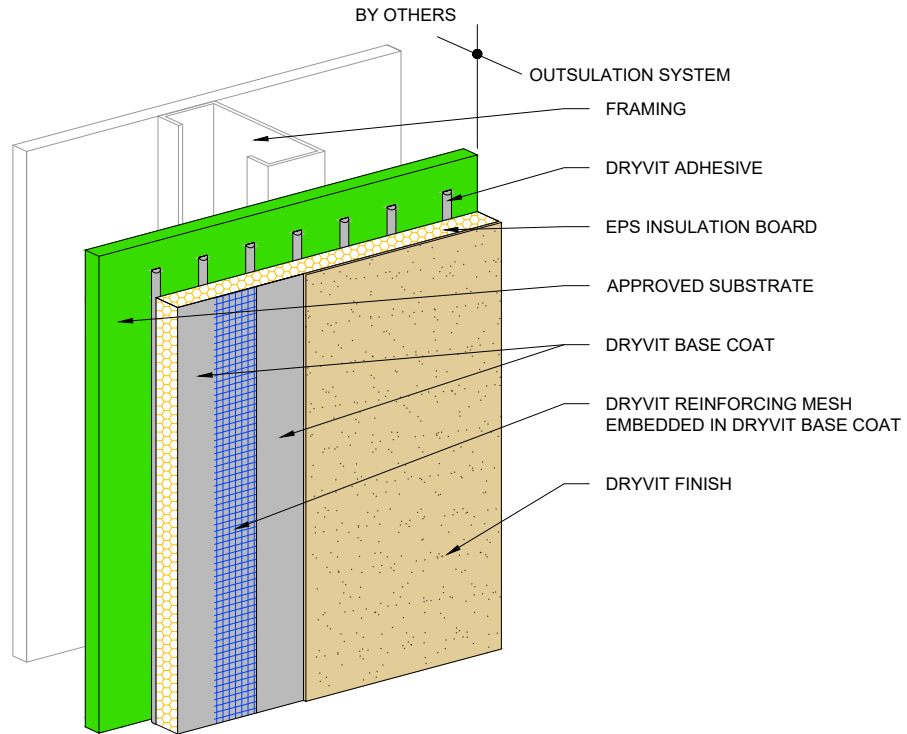
TOC



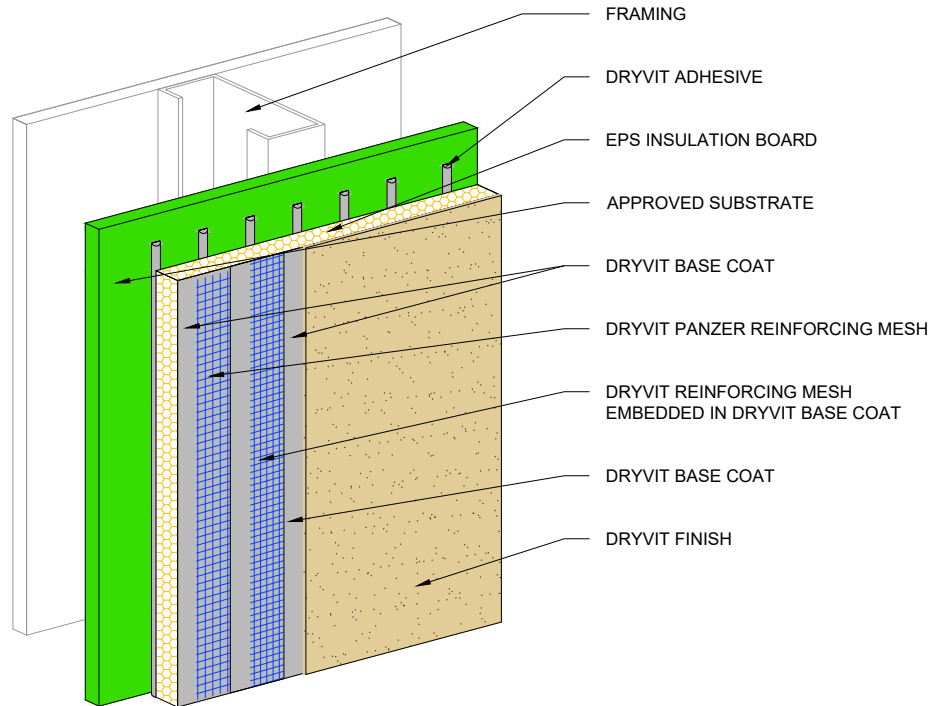
Construction Products Group

www.tremcocpg.com

NORMAL IMPACT



HIGH IMPACT





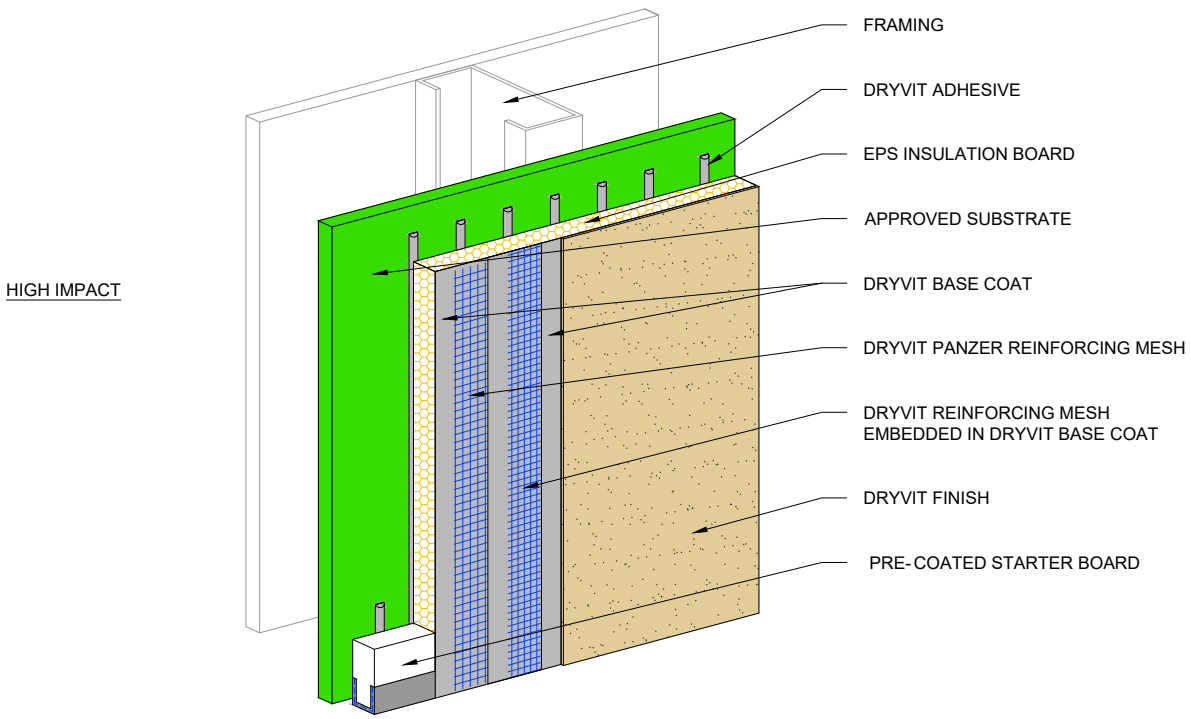
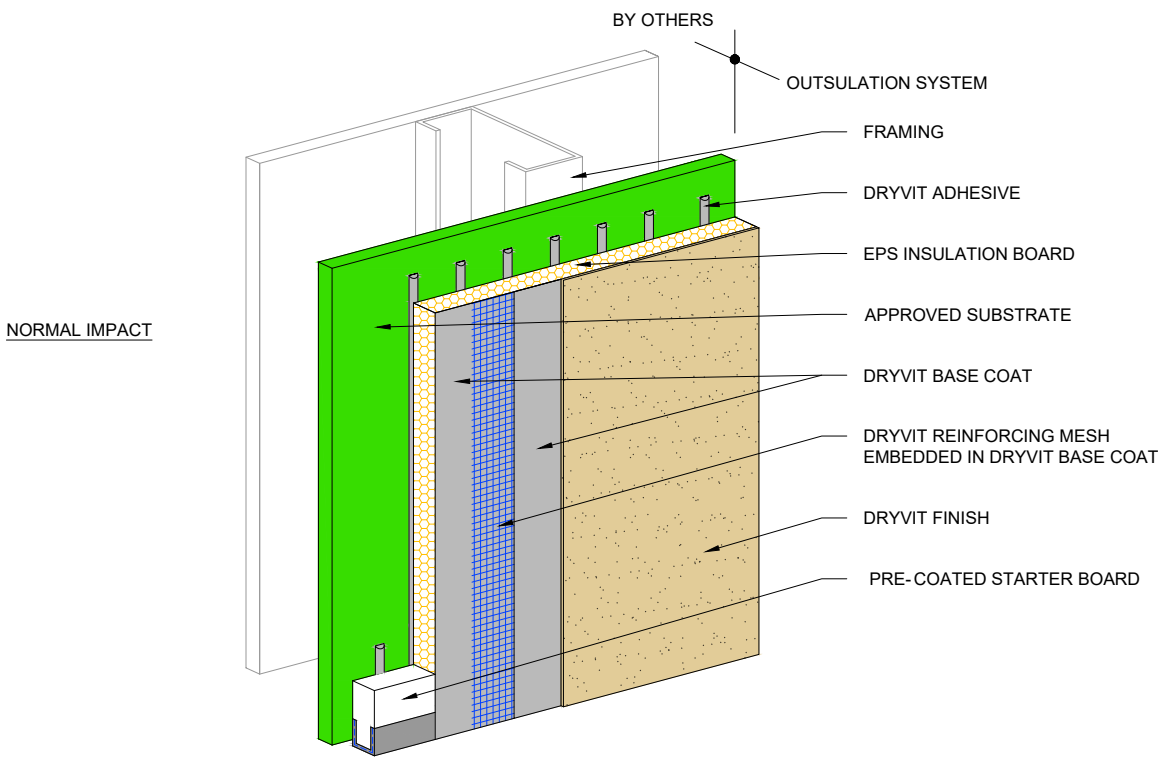
**NOTE:**

1. DRYVIT RECOMMENDS THAT GROUND FLOOR APPLICATIONS AND ALL FACADES EXPOSED TO ABNORMAL STRESS, HIGH TRAFFIC, OR DELIBERATE IMPACT HAVE THE BASE COAT REINFORCED WITH PANZER® MESH PRIOR TO STANDARD™ OR STANDARD PLUS™ MESH. LOCATION OF HIGH IMPACT ZONES SHOULD BE INDICATED ON CONTRACT DRAWINGS.

*The architecture, engineering, and design of the project using the Dryvit products are the responsibility of the project's design professional. All products and systems must comply with local building codes and standards. This detail is for general information and guidance only and Dryvit specifically disclaims any liability for the use of this detail. The project design professional determines, in its sole discretion, whether this detail or a functionally equivalent detail is best suited for the project. This detail is subject to change without notice. Contact Dryvit to ensure you have the most recent version.*

**Outsulation® System**



 Dryvit Technical Support: 800-556-7752	Detail: Outsulation System				File Name:	 Construction Products Group
	Drawn by: KAB	Checked by: CB	Scale: NTS	Date: 8/2023	OS 1	
www.tremcocpg.com						

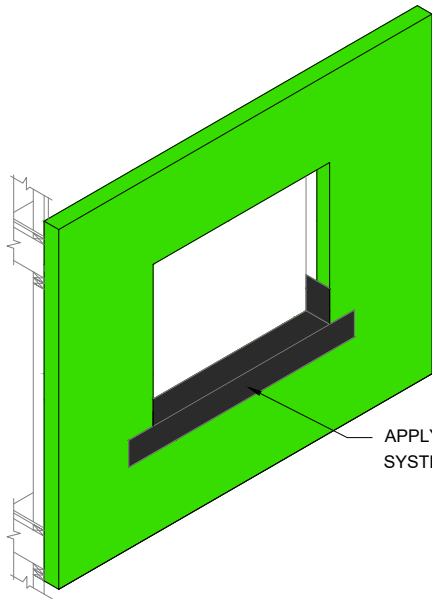


**NOTE:**  
 1. DRYVIT RECOMMENDS THAT GROUND FLOOR APPLICATIONS AND ALL FACADES EXPOSED TO ABNORMAL STRESS, HIGH TRAFFIC, OR DELIBERATE IMPACT HAVE THE BASE COAT REINFORCED WITH PANZER® MESH PRIOR TO STANDARD™ OR STANDARD PLUS™ MESH. LOCATION OF HIGH IMPACT ZONES SHOULD BE INDICATED ON CONTRACT DRAWINGS.

*The architecture, engineering, and design of the project using the Dryvit products are the responsibility of the project's design professional. All products and systems must comply with local building codes and standards. This detail is for general information and guidance only and Dryvit specifically disclaims any liability for the use of this detail. The project design professional determines, in its sole discretion, whether this detail or a functionally equivalent detail is best suited for the project. This detail is subject to change without notice. Contact Dryvit to ensure you have the most recent version.*

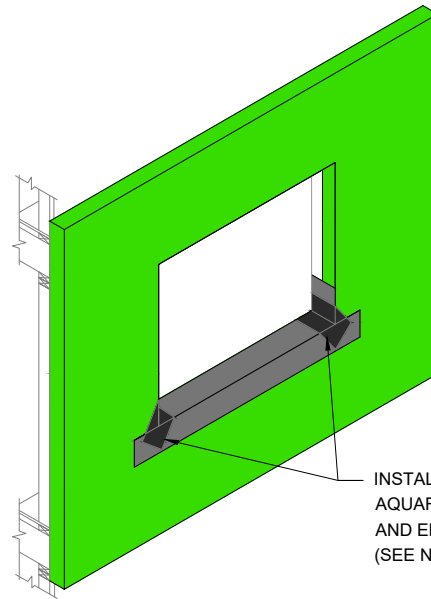
**Outsulation® System**

 Dryvit Technical Support: 800-556-7752	Detail: Outsulation System Starter Board Option				File Name:		 Construction Products Group
	Drawn by: KAB	Checked by: CB	Scale: NTS	Date: 8/2023	OS 1A		
www.tremcocpg.com							



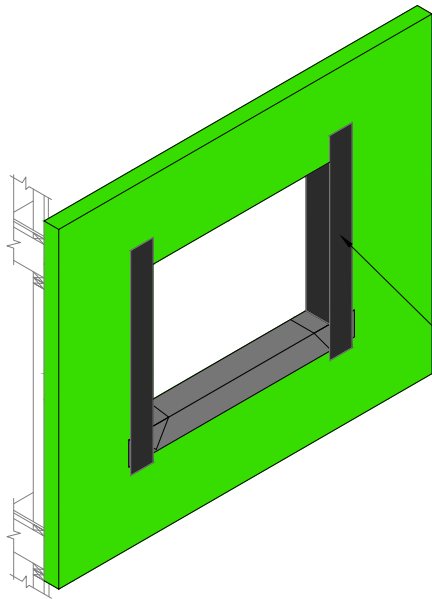
APPLY DRYVIT AQUAFLASH® SYSTEM (SEE NOTE 1)

### STEP #1



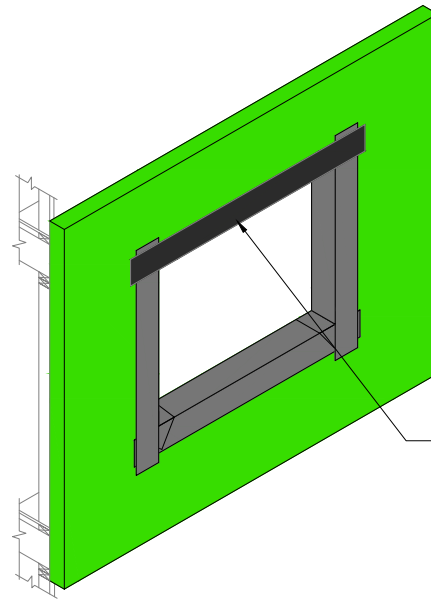
INSTALL DIAGONAL STRIP OF DRYVIT AQUAFLASH MESH AT CORNERS AND EMBED IN AQUAFLASH LIQUID (SEE NOTE 1)

### STEP #2



INSTALL DRYVIT AQUAFLASH SYSTEM AT JAMBS (SEE NOTE 1)

### STEP #3



INSTALL DRYVIT AQUAFLASH SYSTEM AT HEADS (SEE NOTES 1, AND 3)

### STEP #4

**NOTE:**

1. DRYVIT AQUAFLASH SHALL EXTEND TO INTERIOR FACE OF OPENING.
2. REFER TO HEAD, SILL AND JAMB DETAILS FOR FLASHING INTEGRATION.
3. INSTALL WINDOW UNIT AND ASSOCIATED FLASHINGS PER MANUFACTURER'S RECOMMENDATIONS, CODE REQUIREMENTS AND PROJECT DOCUMENTS.
4. AQUAFLASH SYSTEM CONSISTS OF AQUAFLASH MESH AND AQUAFLASH LIQUID.

*The architecture, engineering, and design of the project using the Dryvit products are the responsibility of the project's design professional. All products and systems must comply with local building codes and standards. This detail is for general information and guidance only and Dryvit specifically disclaims any liability for the use of this detail. The project design professional determines, in its sole discretion, whether this detail or a functionally equivalent detail is best suited for the project. This detail is subject to change without notice. Contact Dryvit to ensure you have the most recent version.*

#### Outsulation® System



Dryvit Technical Support: 800-556-7752

Detail: Opening Preparation - AquaFlash® System Option

Drawn by: KAB

Checked by: CB

Scale: NTS

Date: 8/2023

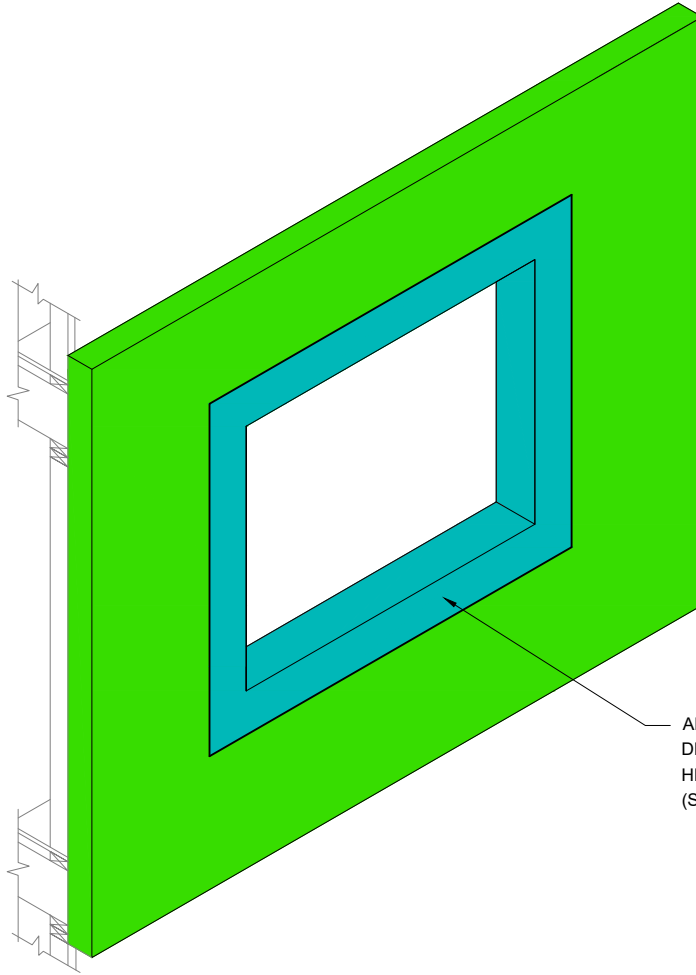
File Name:

OS 2



Construction Products Group

www.tremcocpg.com



APPLY TREMCO DYMONIC® 100 OR  
 DRYVIT BACKSTOP® FLASH AND FILL AT  
 HEADS, SILLS AND JAMBS  
 (SEE NOTES 1, 2, 3)

**NOTE:**



1. REFER TO HEAD, SILL AND JAMB DETAILS FOR FLASHING INTEGRATION.

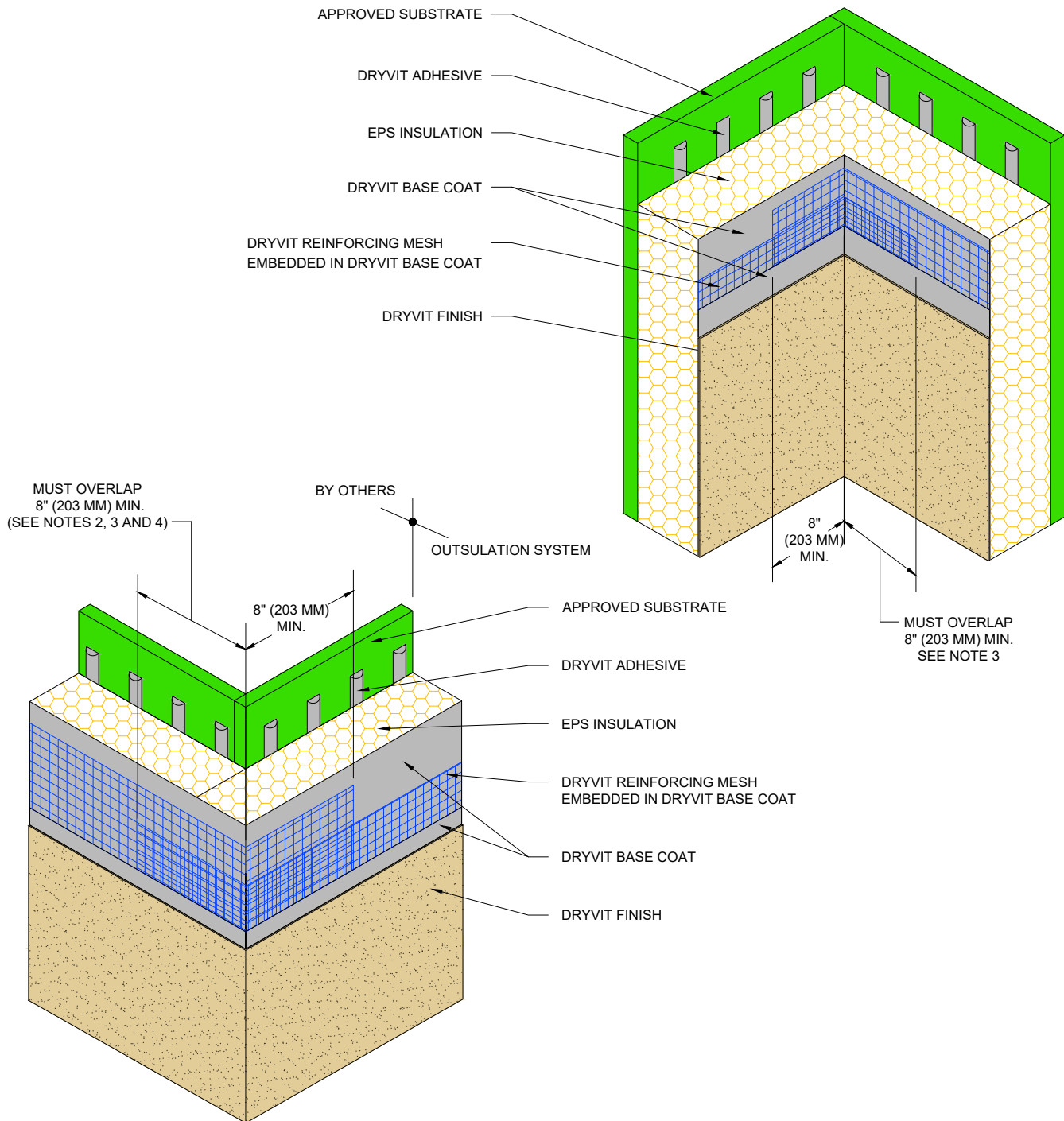
2. REFER TO PRODUCT DATA SHEETS FOR SPECIFIC APPLICATION METHODS.

3. INSTALL WINDOW UNIT AND ASSOCIATED FLASHINGS PER MANUFACTURER'S RECOMMENDATIONS, CODE REQUIREMENTS AND PROJECT DOCUMENTS.

*The architecture, engineering, and design of the project using the Dryvit products are the responsibility of the project's design professional. All products and systems must comply with local building codes and standards. This detail is for general information and guidance only and Dryvit specifically disclaims any liability for the use of this detail. The project design professional determines, in its sole discretion, whether this detail or a functionally equivalent detail is best suited for the project. This detail is subject to change without notice. Contact Dryvit to ensure you have the most recent version.*

**Outsulation® System**

 Dryvit Technical Support: 800-556-7752	Detail: Opening Preparation - Tremco Dymonic® 100 or Backstop® Flash and Fill Option			File Name: OS 2A		 Construction Products Group
	Drawn by: KAB	Checked by: CB	Scale: NTS	Date: 8/2023	www.tremcocpg.com	



**NOTE:**

1. DRYVIT RECOMMENDS THAT GROUND FLOOR APPLICATIONS AND ALL FACADES EXPOSED TO ABNORMAL STRESS, HIGH TRAFFIC, OR DELIBERATE IMPACT HAVE THE BASE COAT REINFORCED WITH PANZER® MESH PRIOR TO STANDARD™ OR STANDARD PLUS™ MESH. LOCATION OF HIGH IMPACT ZONES SHOULD BE INDICATED ON CONTRACT DRAWINGS.

2. DOUBLE WRAP OUTSIDE CORNERS WITH REINFORCING MESH OR USE CORNER MESH.

3. DO NOT LAP REINFORCING MESH WITHIN 8" (203 MM) OF A CORNER.

4. OUTSIDE INSULATION BOARD EDGES SHALL BE OFFSET.

*The architecture, engineering, and design of the project using the Dryvit products are the responsibility of the project's design professional. All products and systems must comply with local building codes and standards. This detail is for general information and guidance only and Dryvit specifically disclaims any liability for the use of this detail. The project design professional determines, in its sole discretion, whether this detail or a functionally equivalent detail is best suited for the project. This detail is subject to change without notice. Contact Dryvit to ensure you have the most recent version.*

**Outsulation® System**



Dryvit Technical Support: 800-556-7752

Detail: Inside/Outside Corners

Drawn by: KAB

Checked by: CB

Scale: NTS

Date: 8/2023

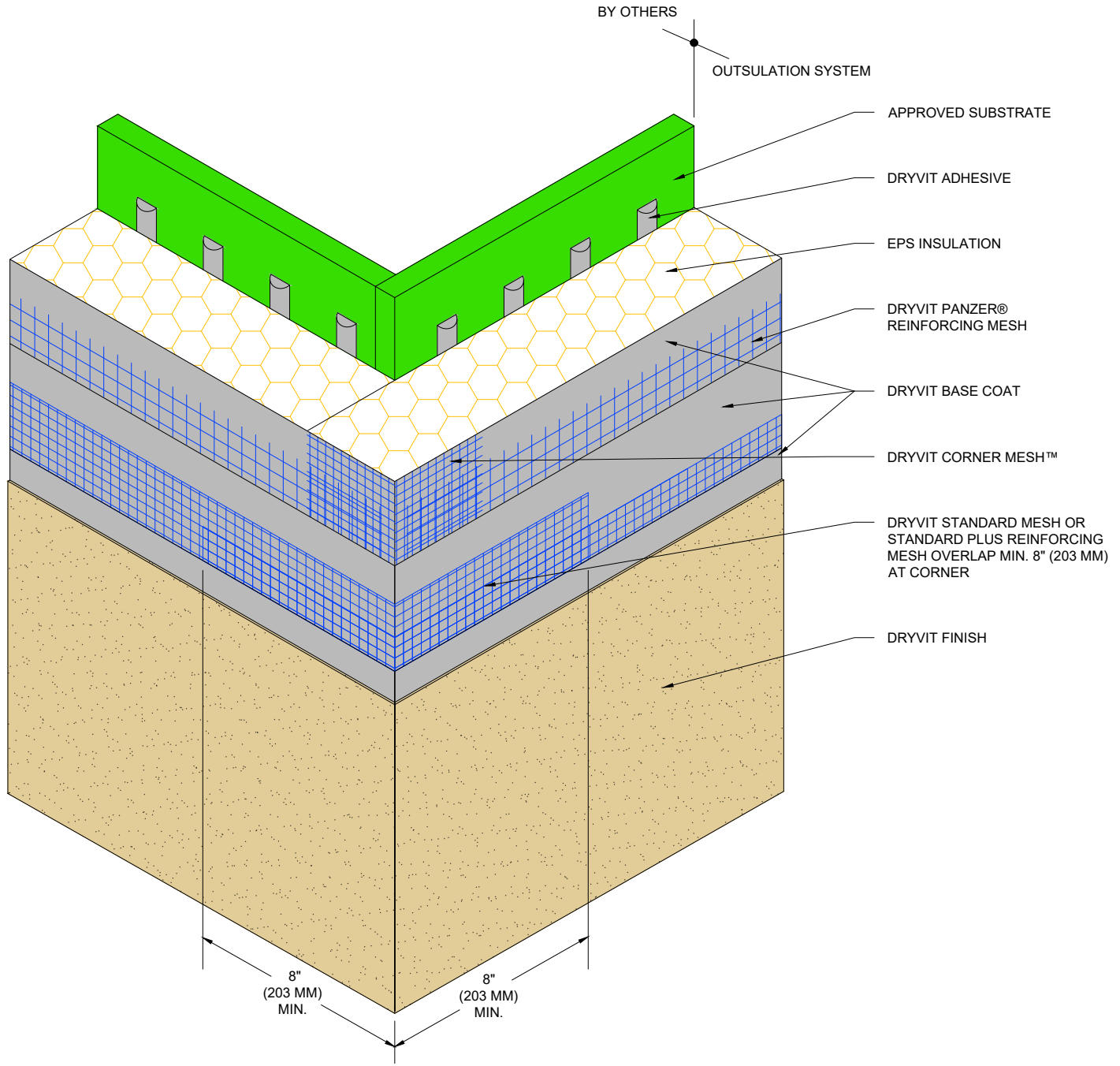
File Name:

OS 3



Construction Products Group


www.tremcocpg.com



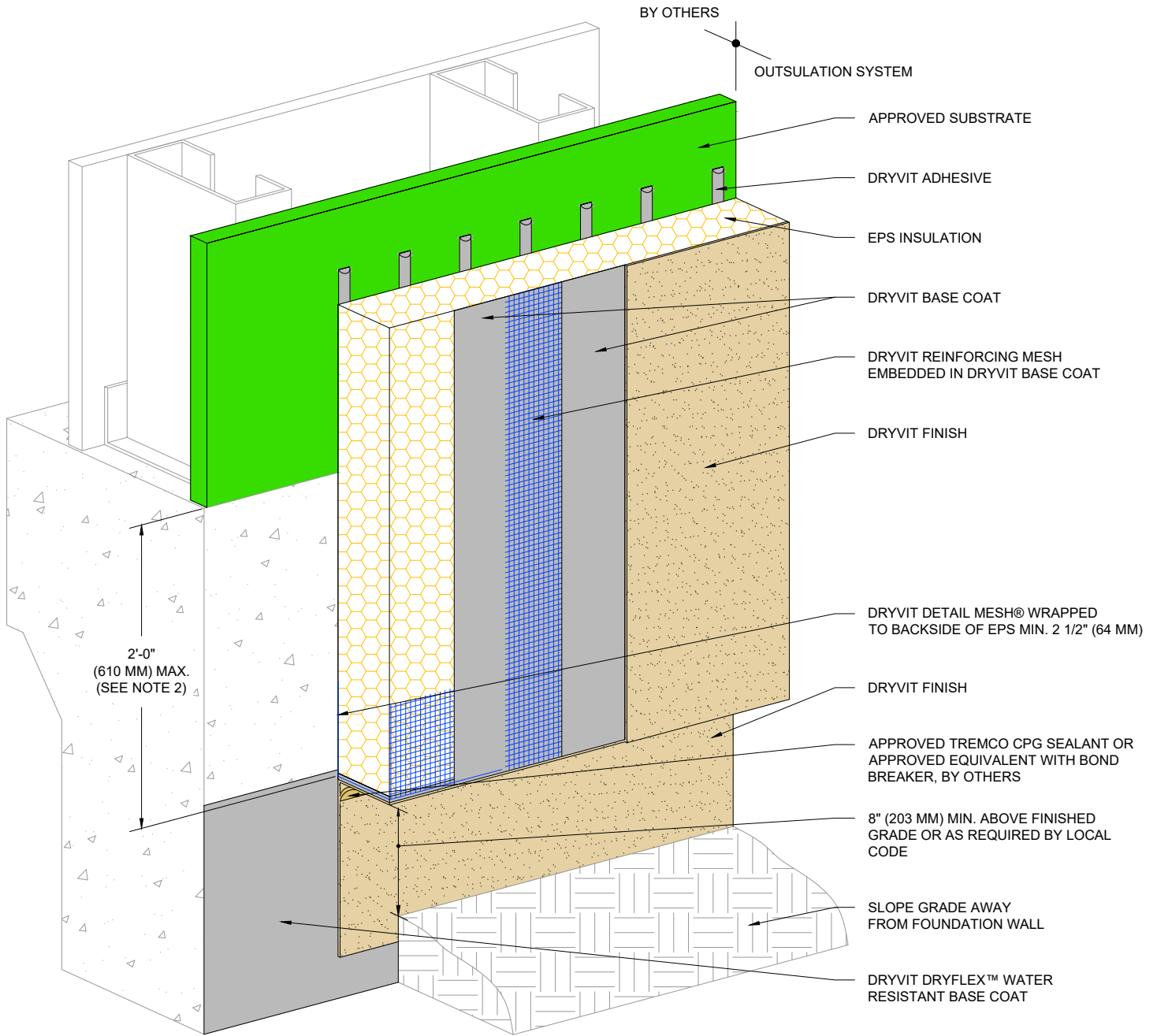
NOTE:  
 1. DRYVIT RECOMMENDS THAT GROUND FLOOR APPLICATIONS AND ALL FACADES EXPOSED TO ABNORMAL STRESS, HIGH TRAFFIC, OR DELIBERATE IMPACT HAVE THE BASE COAT REINFORCED WITH PANZER® MESH PRIOR TO STANDARD™ OR STANDARD PLUS™ MESH. LOCATION OF HIGH IMPACT ZONES SHOULD BE INDICATED ON CONTRACT DRAWINGS.  
 2. OUTSIDE INSULATION BOARD EDGES SHALL BE OFFSET.

*The architecture, engineering, and design of the project using the Dryvit products are the responsibility of the project's design professional. All products and systems must comply with local building codes and standards. This detail is for general information and guidance only and Dryvit specifically disclaims any liability for the use of this detail. The project design professional determines, in its sole discretion, whether this detail or a functionally equivalent detail is best suited for the project. This detail is subject to change without notice. Contact Dryvit to ensure you have the most recent version.*

**Outsulation® System**

 Dryvit Technical Support: 800-556-7752	Detail: Outside Corner - High Impact				File Name:		 Construction Products Group
	Drawn by: KAB	Checked by: CB	Scale: NTS	Date: 8/2023	OS 4		
www.tremcocpg.com							





NOTE:  
 1. DRYVIT RECOMMENDS THAT GROUND FLOOR APPLICATIONS AND ALL FACADES EXPOSED TO ABNORMAL STRESS, HIGH TRAFFIC, OR DELIBERATE IMPACT HAVE THE BASE COAT REINFORCED WITH PANZER® MESH PRIOR TO STANDARD™ OR STANDARD PLUS™ MESH. LOCATION OF HIGH IMPACT ZONES SHOULD BE INDICATED ON CONTRACT DRAWINGS.



2. EXPANSION JOINT IS REQUIRED ALONG TOP OF FOUNDATION IF 2'-0" (610 MM) DIMENSION IS EXCEEDED.

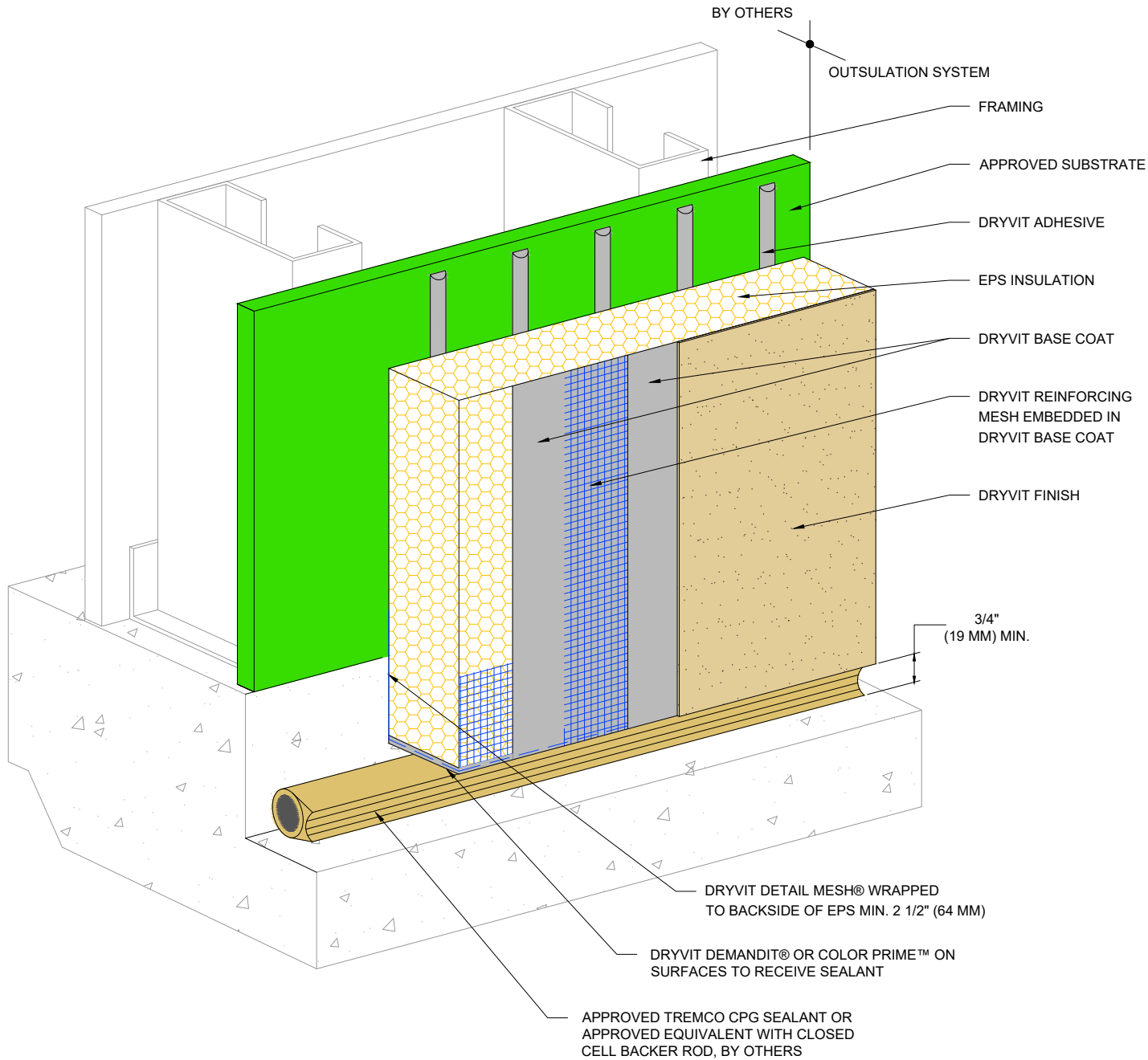
3. SLOPE GRADE AWAY FROM WALL.

4. STOP FINISH APPROXIMATELY 2" (51 MM) BELOW GRADE.

*The architecture, engineering, and design of the project using the Dryvit products are the responsibility of the project's design professional. All products and systems must comply with local building codes and standards. This detail is for general information and guidance only and Dryvit specifically disclaims any liability for the use of this detail. The project design professional determines, in its sole discretion, whether this detail or a functionally equivalent detail is best suited for the project. This detail is subject to change without notice. Contact Dryvit to ensure you have the most recent version.*

**Outsulation® System**



 Dryvit Technical Support: 800-556-7752	Detail: Grade Termination				File Name:		 Construction Products Group
	Drawn by: KAB	Checked by: CB	Scale: NTS	Date: 8/2023	OS 5		
www.tremcocpg.com							

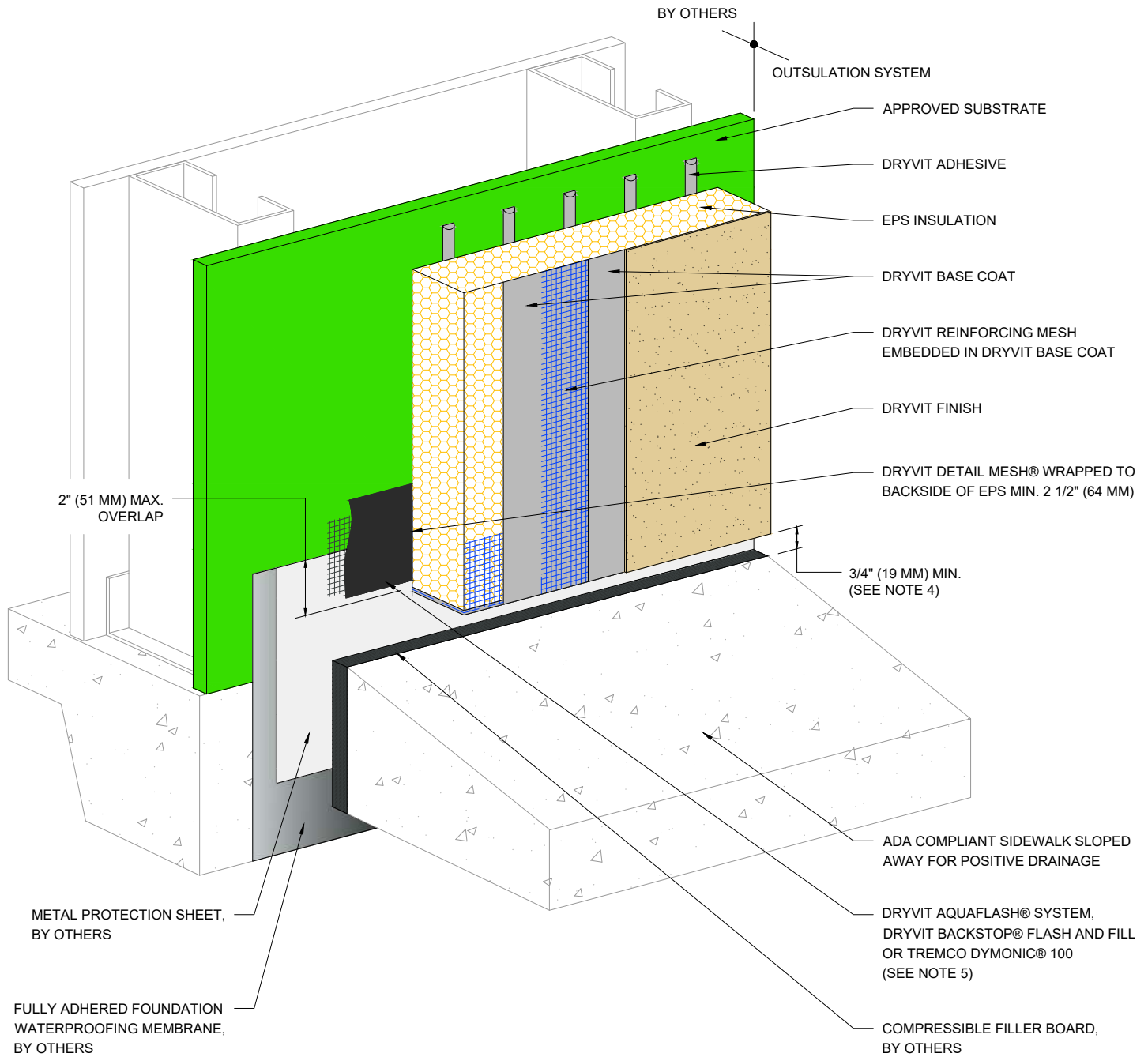


NOTE:  
 1. DRYVIT RECOMMENDS THAT GROUND FLOOR APPLICATIONS AND ALL FACADES EXPOSED TO ABNORMAL STRESS, HIGH TRAFFIC, OR DELIBERATE IMPACT HAVE THE BASE COAT REINFORCED WITH PANZER® MESH PRIOR TO STANDARD™ OR STANDARD PLUS™ MESH. LOCATION OF HIGH IMPACT ZONES SHOULD BE INDICATED ON CONTRACT DRAWINGS.

*The architecture, engineering, and design of the project using the Dryvit products are the responsibility of the project's design professional. All products and systems must comply with local building codes and standards. This detail is for general information and guidance only and Dryvit specifically disclaims any liability for the use of this detail. The project design professional determines, in its sole discretion, whether this detail or a functionally equivalent detail is best suited for the project. This detail is subject to change without notice. Contact Dryvit to ensure you have the most recent version.*

**Outsulation® System**

 Dryvit Technical Support: 800-556-7752	Detail: Termination At Concrete Curb				File Name:		 Construction Products Group
	Drawn by: KAB	Checked by: CB	Scale: NTS	Date: 8/2023	OS 6		
www.tremcocpg.com							



NOTE:  
 1. DRYVIT RECOMMENDS THAT GROUND FLOOR APPLICATIONS AND ALL FACADES EXPOSED TO ABNORMAL STRESS, HIGH TRAFFIC, OR DELIBERATE IMPACT HAVE THE BASE COAT REINFORCED WITH PANZER® MESH PRIOR TO STANDARD™ OR STANDARD PLUS™ MESH. LOCATION OF HIGH IMPACT ZONES SHOULD BE INDICATED ON CONTRACT DRAWINGS.

2. USE OF THIS DETAIL IS LIMITED TO SLAB-ON-GRADE APPLICATIONS.

3. INCORPORATE MEASURES TO PROTECT STRUCTURE FROM MOISTURE INTRUSION, DAMPNESS, AND FROST HEAVE.

4. TO PREVENT DEBRIS ACCUMULATION IT IS RECOMMENDED TO TERMINATE SYSTEM 2" (51 MM) ABOVE SIDEWALK.

5. REFER TO PRODUCT DATA SHEETS FOR SPECIFIC APPLICATION METHODS.

*The architecture, engineering, and design of the project using the Dryvit products are the responsibility of the project's design professional. All products and systems must comply with local building codes and standards. This detail is for general information and guidance only and Dryvit specifically disclaims any liability for the use of this detail. The project design professional determines, in its sole discretion, whether this detail or a functionally equivalent detail is best suited for the project. This detail is subject to change without notice. Contact Dryvit to ensure you have the most recent version.*

### Outsulation® System



Dryvit Technical Support: 800-556-7752

Detail: Termination At ADA Compliant Sidewalk

Drawn by: KAB

Checked by: CB

Scale: NTS

Date: 8/2023

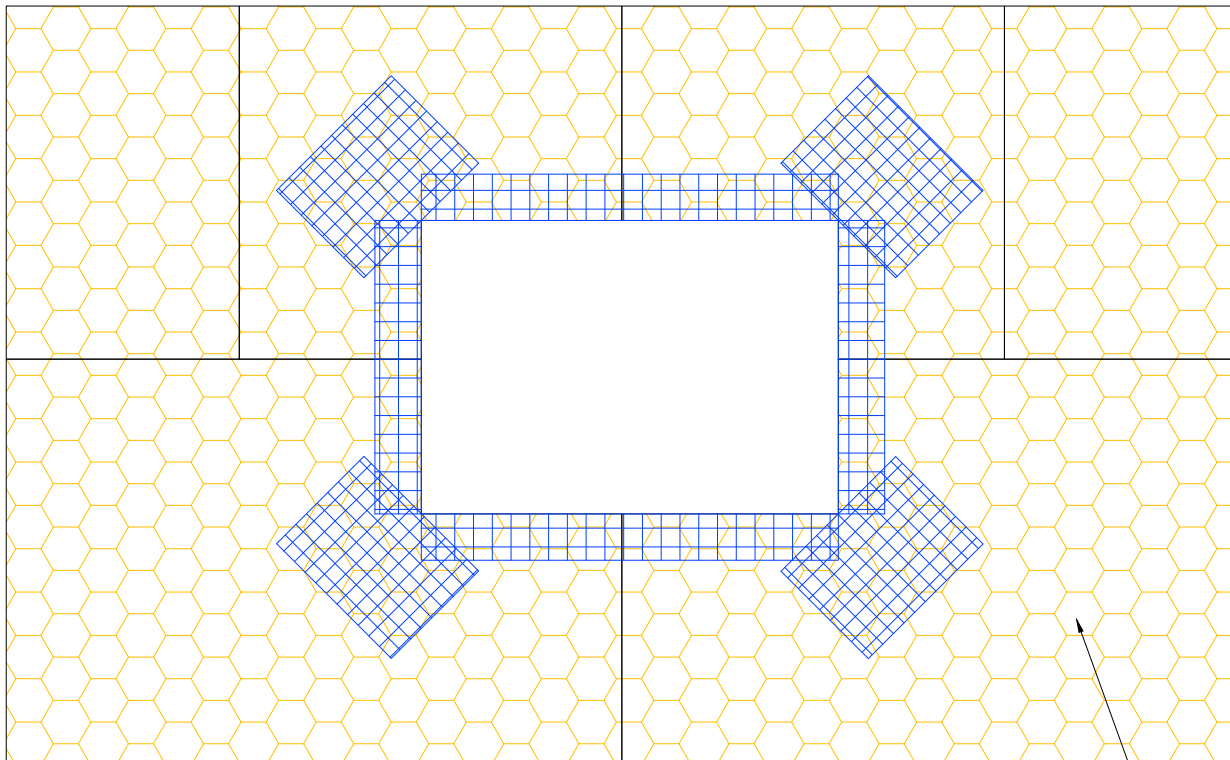
File Name:

OS 7

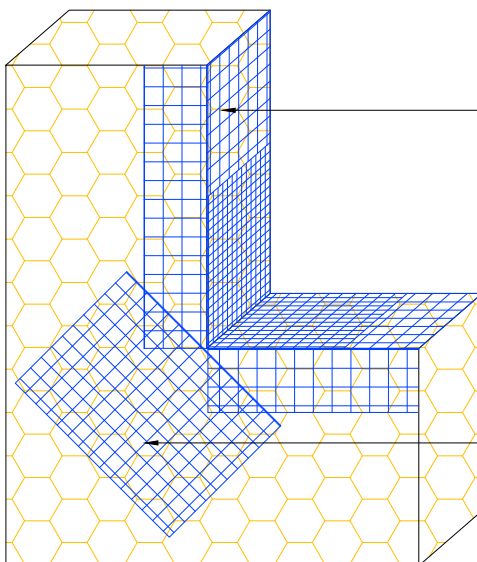


Construction Products Group

www.tremcocpg.com



EPS INSULATION  
(SEE NOTE 2)



DRYVIT DETAIL MESH® WRAPPED  
TO BACKSIDE OF EPS MIN. 2 1/2" (64 MM)

DRYVIT DETAIL REINFORCING MESH  
9 1/2" (241 MM) X 12" (305 MM) (TYP.)  
(SEE NOTE 3)

**NOTE:**

1. DRYVIT RECOMMENDS THAT GROUND FLOOR APPLICATIONS AND ALL FACADES EXPOSED TO ABNORMAL STRESS, HIGH TRAFFIC, OR DELIBERATE IMPACT HAVE THE BASE COAT REINFORCED WITH PANZER® MESH PRIOR TO STANDARD™ OR STANDARD PLUS™ MESH. LOCATION OF HIGH IMPACT ZONES SHOULD BE INDICATED ON CONTRACT DRAWINGS.

2. LOCATE INSULATION BOARDS SUCH THAT BOARD EDGES DO NOT ALIGN WITH CORNERS OF PENETRATION.

3. APPLY A PIECE OF 9 1/2" (241 MM) X 12" (305 MM) DETAIL REINFORCING MESH DIAGONALLY AT EACH CORNER.

*The architecture, engineering, and design of the project using the Dryvit products are the responsibility of the project's design professional. All products and systems must comply with local building codes and standards. This detail is for general information and guidance only and Dryvit specifically disclaims any liability for the use of this detail. The project design professional determines, in its sole discretion, whether this detail or a functionally equivalent detail is best suited for the project. This detail is subject to change without notice. Contact Dryvit to ensure you have the most recent version.*

**Outsulation® System**



Dryvit Technical Support: 800-556-7752

Detail: EPS Preparation At Wall Penetrations

Drawn by: KAB

Checked by: CB

Scale: NTS

Date: 8/2023

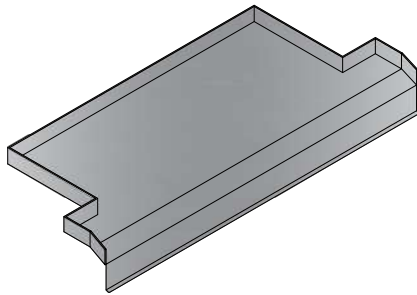
File Name:

OS 8

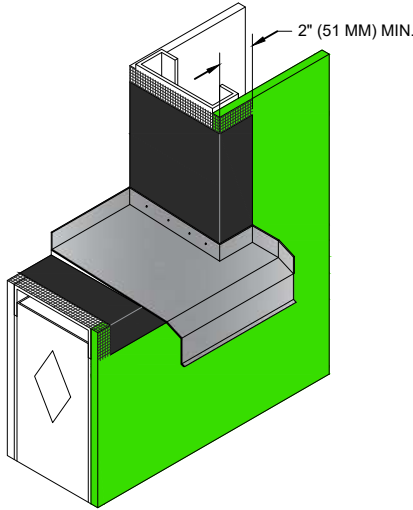


Construction Products Group

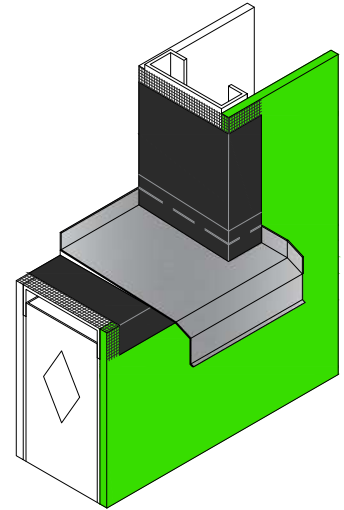
www.tremcocpg.com



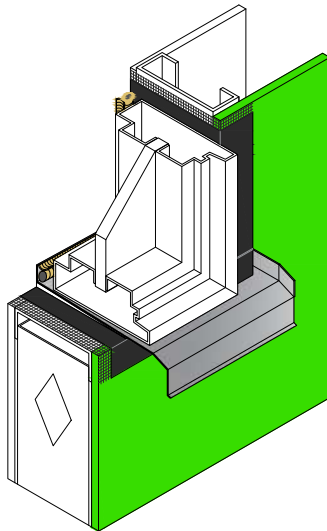
(SEE NOTES 1 AND 2)



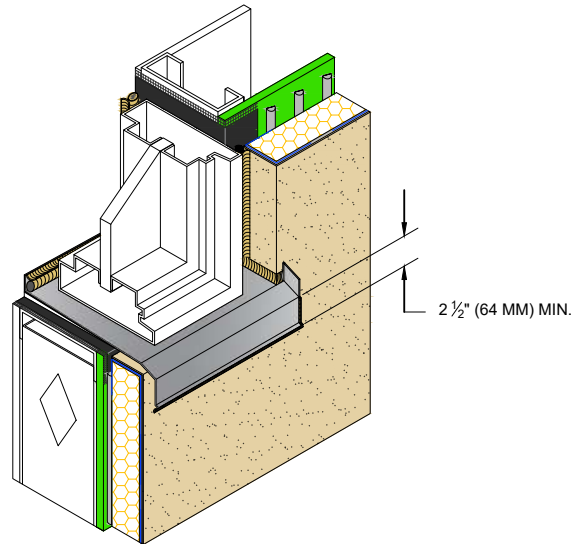
STEP 1: PREPARE OPENING AS PER OS 02. INSTALL SILL PAN FLASHING AND SECURE TO FRAMING AND BLOCKING. SHIM UNDERSIDE OF FLASHING TO ENSURE INCIDENTAL MOISTURE IS DIRECTED TO THE EXTERIOR FACE OF THE WALL. (SEE NOTES 1 AND 2)



STEP 2: APPLY DRYVIT AQUAFLASH® SYSTEM SPLICES OVER UPTURNED LEGS OF PAN FLASHING



STEP 3: INSTALL WINDOW UNIT AND ASSOCIATED HEAD FLASHING.



STEP 4: INSTALL EIFS AND APPLY BACKER ROD AND SEALANT ALONG JAMBS AND AT SYSTEM TERMINATIONS, ALSO ALONG EDGES OF FLASHING.

NOTE:

1. PAN FLASHING SHOULD OVERLAP EIFS MIN. 2 1/2" (64 MM) MEASURED FROM THE TOP OF THE EPS.

2. PAN FLASHING MUST HAVE WATERTIGHT SEAMS.

*The architecture, engineering, and design of the project using the Dryvit products are the responsibility of the project's design professional. All products and systems must comply with local building codes and standards. This detail is for general information and guidance only and Dryvit specifically disclaims any liability for the use of this detail. The project design professional determines, in its sole discretion, whether this detail or a functionally equivalent detail is best suited for the project. This detail is subject to change without notice. Contact Dryvit to ensure you have the most recent version.*

**Outsulation® System**



Dryvit Technical Support: 800-556-7752

Detail: Preparation of Opening for Storefront Window

Drawn by: KAB

Checked by: CB

Scale: NTS

Date: 8/2023

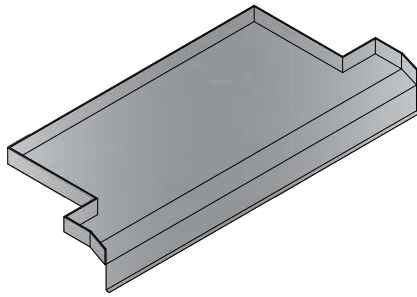
File Name:

OS 9

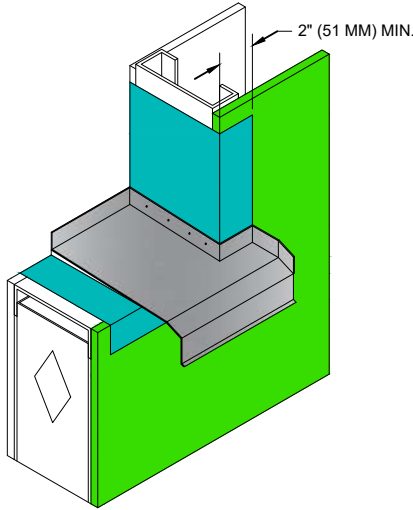


Construction Products Group

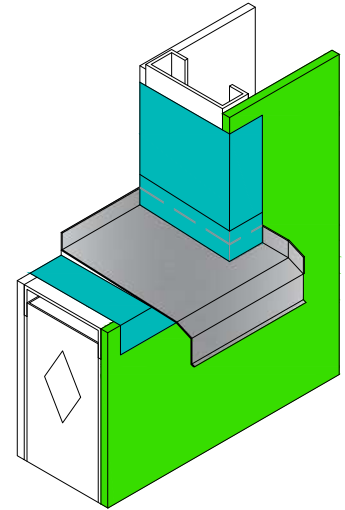
www.tremcocpg.com



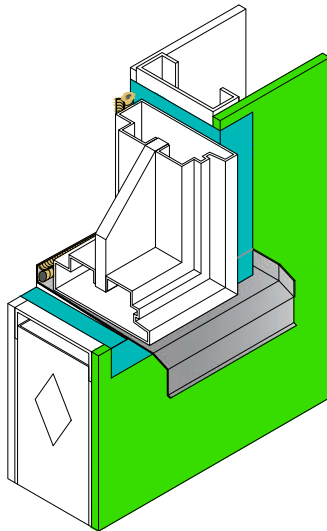
(SEE NOTES 1 AND 2)



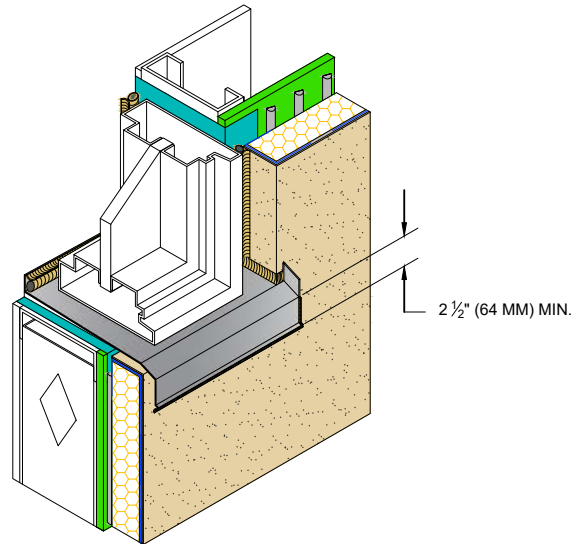
STEP 1: PREPARE OPENING AS PER OS 02A. INSTALL SILL PAN FLASHING AND SECURE TO FRAMING AND BLOCKING. SHIM UNDERSIDE OF FLASHING TO ENSURE INCIDENTAL MOISTURE IS DIRECTED TO THE EXTERIOR FACE OF THE WALL. (SEE NOTES 1, 2 AND 3)



STEP 2: APPLY DRYVIT BACKSTOP® FLASH AND FILL OR TREMCO DYMONIC® 100 OVER UPTURNED LEGS OF PAN FLASHING (SEE NOTE 3)



STEP 3: INSTALL WINDOW UNIT AND ASSOCIATED HEAD FLASHING.



STEP 4: INSTALL EIFS AND APPLY BACKER ROD AND SEALANT ALONG JAMBS AND AT SYSTEM TERMINATIONS, ALSO ALONG EDGES OF FLASHING.

**NOTE:**

1. PAN FLASHING SHOULD OVERLAP EIFS MIN. 2 1/2" (64 MM) MEASURED FROM THE TOP OF THE EPS.

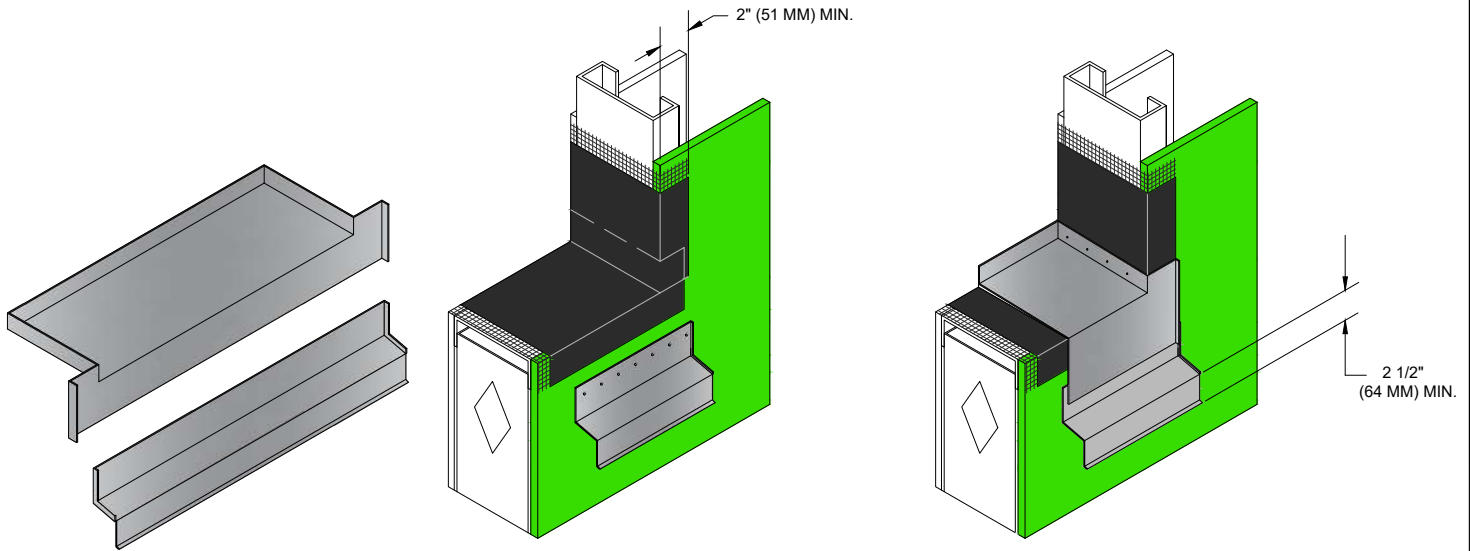
2. PAN FLASHING MUST HAVE WATERTIGHT SEAMS.

3. REFER TO PRODUCT DATA SHEETS FOR SPECIFIC APPLICATION METHODS.

*The architecture, engineering, and design of the project using the Dryvit products are the responsibility of the project's design professional. All products and systems must comply with local building codes and standards. This detail is for general information and guidance only and Dryvit specifically disclaims any liability for the use of this detail. The project design professional determines, in its sole discretion, whether this detail or a functionally equivalent detail is best suited for the project. This detail is subject to change without notice. Contact Dryvit to ensure you have the most recent version.*

**Outsulation® System**

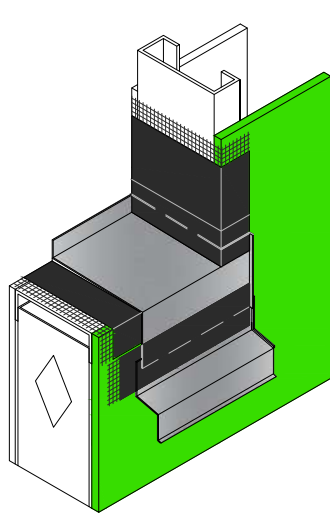
 Dryvit Technical Support: 800-556-7752	Detail: Preparation of Opening for Storefront Window - Tremco Dymonic® 100 or Backstop® Flash and Fill Option			File Name: OS 9A		 Construction Products Group
	Drawn by: KAB	Checked by: CB	Scale: NTS	Date: 8/2023	www.tremcocpg.com	



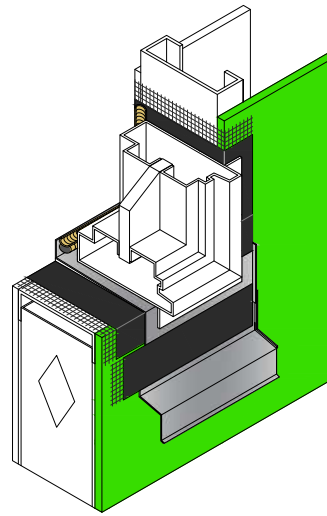
(SEE NOTES 1,2 AND 4)

STEP 1: APPLY DRYVIT AQUAFLASH® SYSTEM AT SILL PER OS 02 AND SECURE FLASHING TO FRAMING (SEE NOTES 1,2 AND 4)

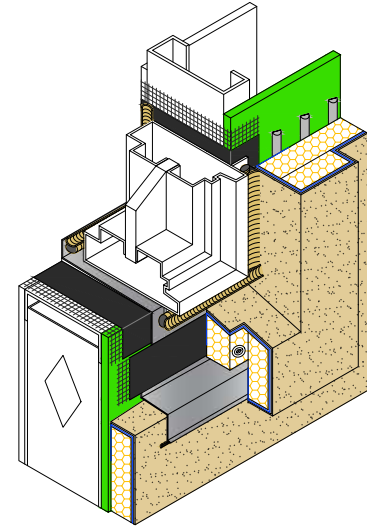
STEP 2: INSTALL SILL PAN FLASHING. SHIM UNDERSIDE OF PAN FLASHING TO ENSURE WATER RUN OFF (SEE NOTE 2)



STEP 3: APPLY DRYVIT AQUAFLASH SYSTEM OVER METAL FLASHING TRANSITION AND AT JAMBS LAPPING OVER UPTURNED LEGS OF PAN FLASHING (SEE NOTES 1,2,AND 4)



STEP 4: INSTALL WINDOW UNIT AND ASSOCIATED HEAD FLASHING.



STEP 5: INSTALL EIFS AND APPLY BACKER ROD AND SEALANT ALONG JAMBS AND AT SYSTEM TERMINATIONS, ALSO ALONG EDGES OF FLASHING (SEE NOTES 3 AND 4)

**NOTE:**

1. PAN FLASHING SHOULD OVERLAP EIFS MIN. 2 1/2" (64 MM) MEASURED FROM THE TOP OF THE EPS.

2. PAN FLASHING MUST HAVE WATERTIGHT SEAMS.

3. EIFS AT SILL SHALL BE SLOPED FOR DRAINAGE.

4. APPLY DRYVIT AQUAFLASH SYSTEM AT SILL. SEE DETAIL OS 02

5. ADHESIVE ONLY APPLICATION IS ACCEPTABLE WHEN USING THE AQUAFLASH SYSTEM.

*The architecture, engineering, and design of the project using the Dryvit products are the responsibility of the project's design professional. All products and systems must comply with local building codes and standards. This detail is for general information and guidance only and Dryvit specifically disclaims any liability for the use of this detail. The project design professional determines, in its sole discretion, whether this detail or a functionally equivalent detail is best suited for the project. This detail is subject to change without notice. Contact Dryvit to ensure you have the most recent version.*

**Outsulation® System**



Dryvit Technical Support: 800-556-7752

Detail: Preparation of Opening for Nail-On Window

Drawn by: KAB

Checked by: CB

Scale: NTS

Date: 8/2023

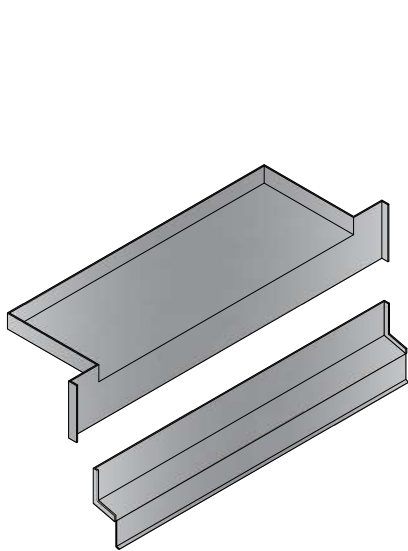
File Name:

OS 10

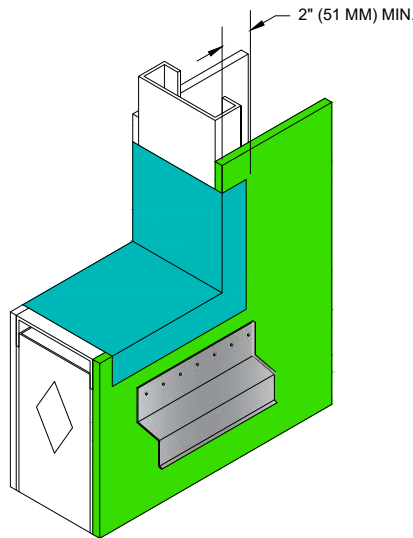


Construction Products Group

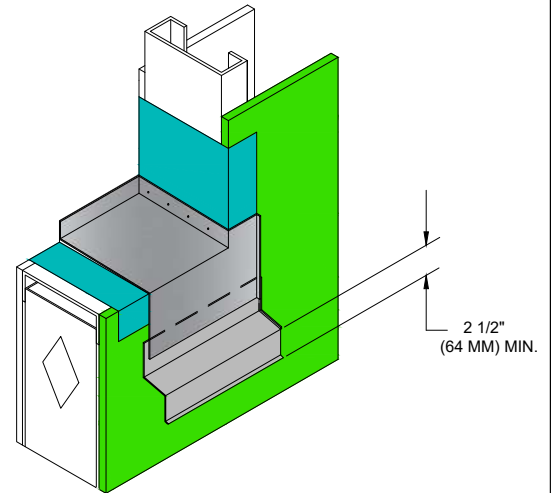
www.tremcocpg.com



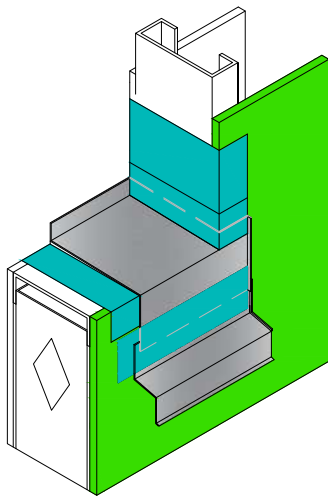
(SEE NOTES 1, 2 AND 4)



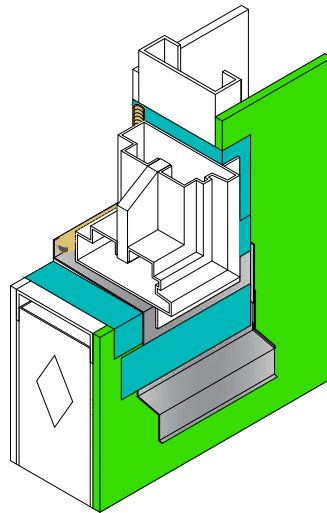
STEP 1: APPLY DRYVIT BACKSTOP® FLASH AND FILL OR TREMCO DYMONIC® 100 AT SILL PER OS 02A AND SECURE FLASHING TO FRAMING (SEE NOTES 1, 2, 4 AND 6)



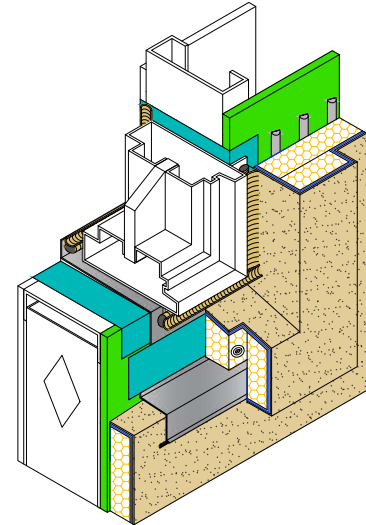
STEP 2: INSTALL SILL PAN FLASHING. SHIM UNDERSIDE OF PAN FLASHING TO ENSURE WATER RUN OFF (SEE NOTE 2)



STEP 3: APPLY DRYVIT BACKSTOP® FLASH AND FILL OR TREMCO DYMONIC® 100 METAL FLASHING TRANSITION AND AT JAMBS LAPPING OVER UPTURNED LEGS OF PAN FLASHING (SEE NOTES 1, 2, 4 AND 6)



STEP 4: INSTALL WINDOW UNIT AND ASSOCIATED HEAD FLASHING.



STEP 5: INSTALL EIFS AND APPLY BACKER ROD AND SEALANT ALONG JAMBS AND AT SYSTEM TERMINATIONS, ALSO ALONG EDGES OF FLASHING (SEE NOTES 3 AND 4)

NOTE:

1. PAN FLASHING SHOULD OVERLAP EIFS MIN. 2 1/2" (64 MM) MEASURED FROM THE TOP OF THE EPS.

2. PAN FLASHING MUST HAVE WATERTIGHT SEAMS.

3. EIFS AT SILL SHALL BE SLOPED FOR DRAINAGE.

4. APPLY DRYVIT AQUAFASH SYSTEM AT SILL. SEE DETAIL OS 02

5. ADHESIVE ONLY APPLICATION IS ACCEPTABLE WHEN USING THE AQUAFASH SYSTEM.

6. REFER TO PRODUCT DATA SHEETS FOR SPECIFIC APPLICATION METHODS.

*The architecture, engineering, and design of the project using the Dryvit products are the responsibility of the project's design professional. All products and systems must comply with local building codes and standards. This detail is for general information and guidance only and Dryvit specifically disclaims any liability for the use of this detail. The project design professional determines, in its sole discretion, whether this detail or a functionally equivalent detail is best suited for the project. This detail is subject to change without notice. Contact Dryvit to ensure you have the most recent version.*

**Outsulation® System**



Dryvit Technical Support: 800-556-7752

Detail: Preparation of Opening for Nail-On Window - Tremco Dymonic® 100 or Backstop® Flash and Fill Option

Drawn by: KAB

Checked by: CB

Scale: NTS

Date: 8/2023

File Name:

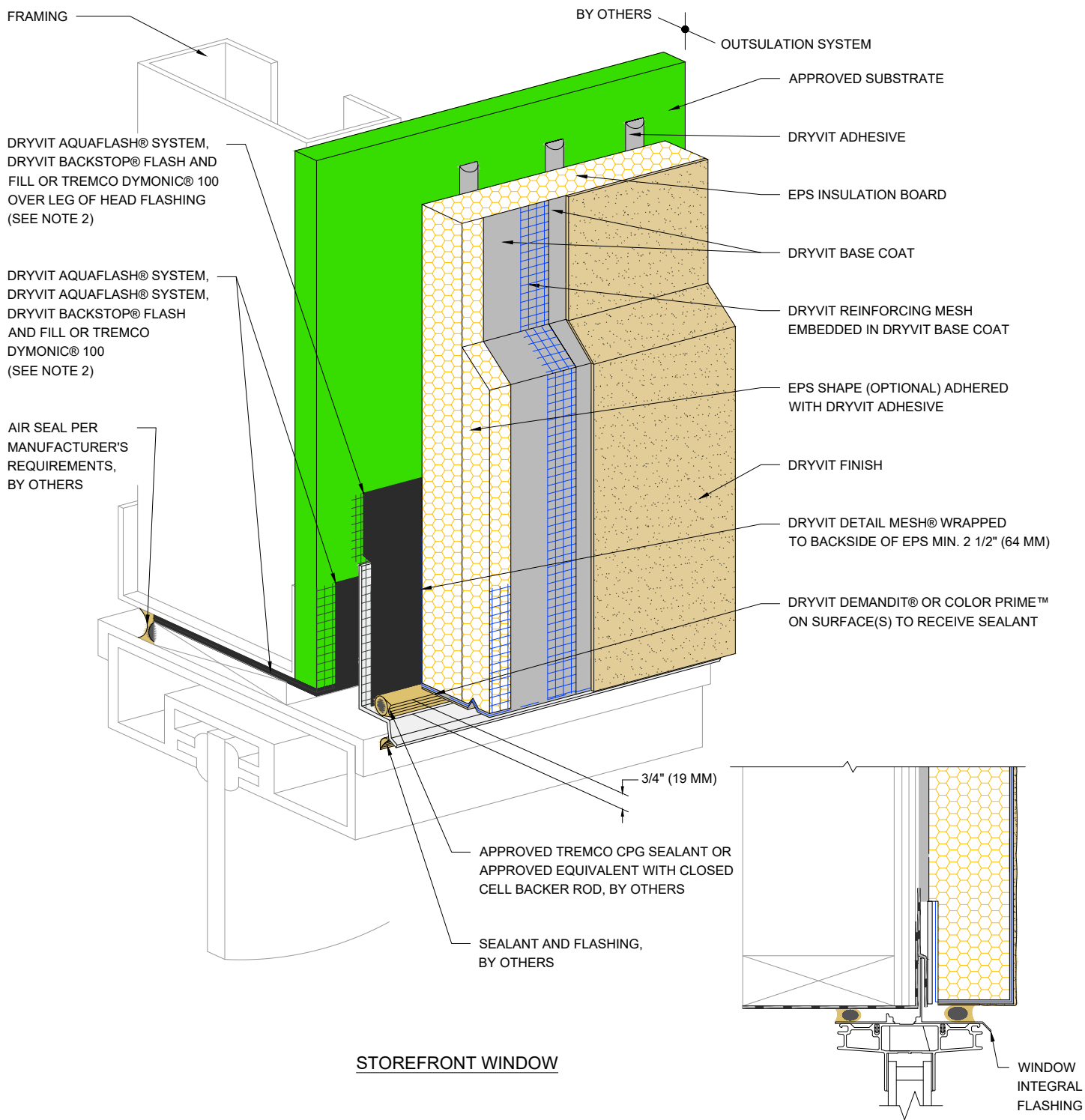
OS 10A



Construction Products Group

www.tremcocpg.com







**STOREFRONT WINDOW**

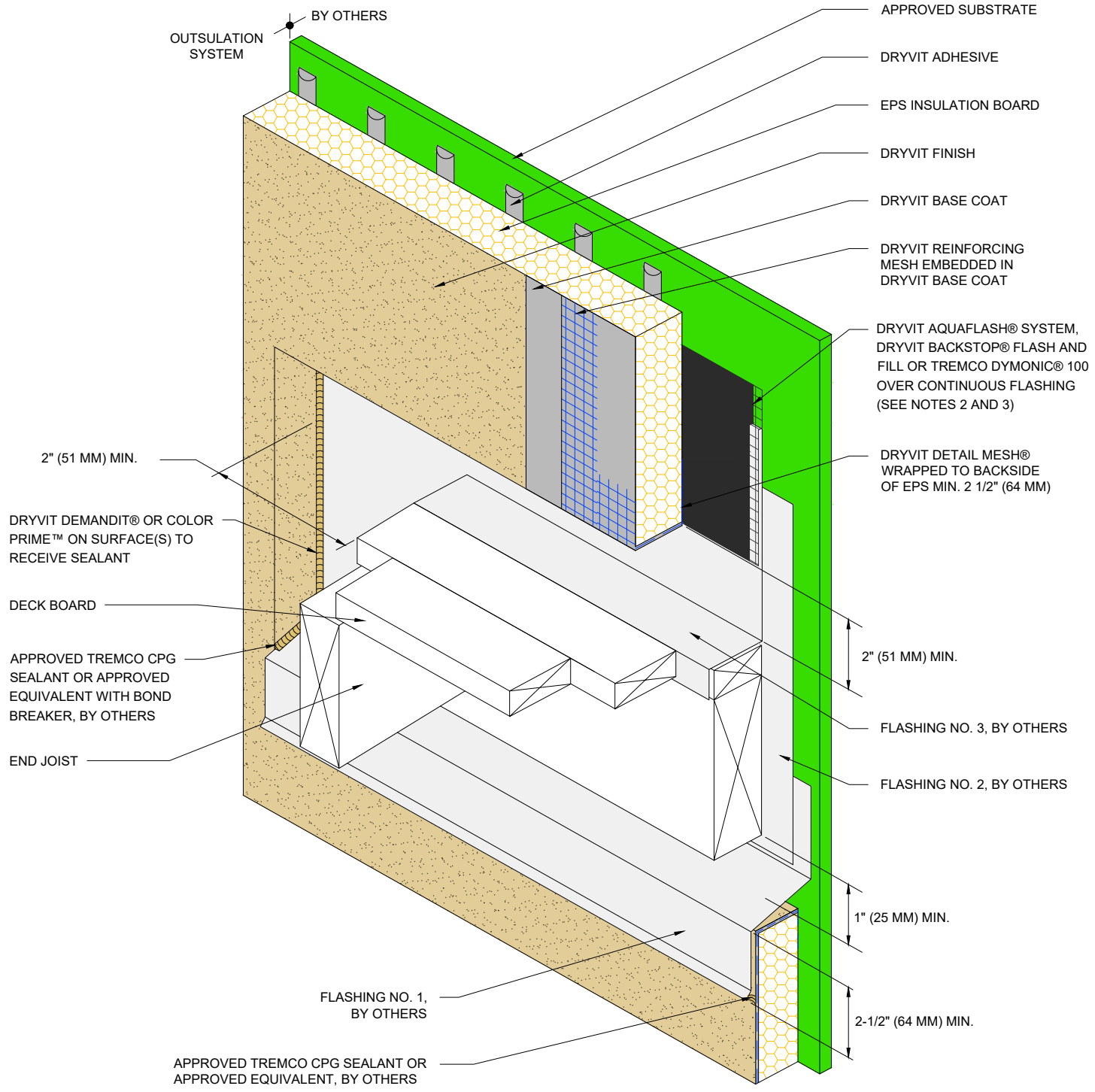
**FLANGED WINDOW**

**NOTE:**  
 1. DRYVIT RECOMMENDS THAT GROUND FLOOR APPLICATIONS AND ALL FACADES EXPOSED TO ABNORMAL STRESS, HIGH TRAFFIC, OR DELIBERATE IMPACT HAVE THE BASE COAT REINFORCED WITH PANZER® MESH PRIOR TO STANDARD™ OR STANDARD PLUS™ MESH. LOCATION OF HIGH IMPACT ZONES SHOULD BE INDICATED ON CONTRACT DRAWINGS.  
 2. REFER TO PRODUCT DATA SHEETS FOR SPECIFIC APPLICATION METHODS.

*The architecture, engineering, and design of the project using the Dryvit products are the responsibility of the project's design professional. All products and systems must comply with local building codes and standards. This detail is for general information and guidance only and Dryvit specifically disclaims any liability for the use of this detail. The project design professional determines, in its sole discretion, whether this detail or a functionally equivalent detail is best suited for the project. This detail is subject to change without notice. Contact Dryvit to ensure you have the most recent version.*

**Outsulation® System**

 Dryvit Technical Support: 800-556-7752	Detail: Window Head				File Name:		 Construction Products Group
	Drawn by: KAB	Checked by: CB	Scale: NTS	Date: 8/2023	OS 11		
www.tremcocpg.com							





NOTE:  
 1. DRYVIT RECOMMENDS THAT GROUND FLOOR APPLICATIONS AND ALL FACADES EXPOSED TO ABNORMAL STRESS, HIGH TRAFFIC, OR DELIBERATE IMPACT HAVE THE BASE COAT REINFORCED WITH PANZER® MESH PRIOR TO STANDARD™ OR STANDARD PLUS™ MESH. LOCATION OF HIGH IMPACT ZONES SHOULD BE INDICATED ON CONTRACT DRAWINGS.

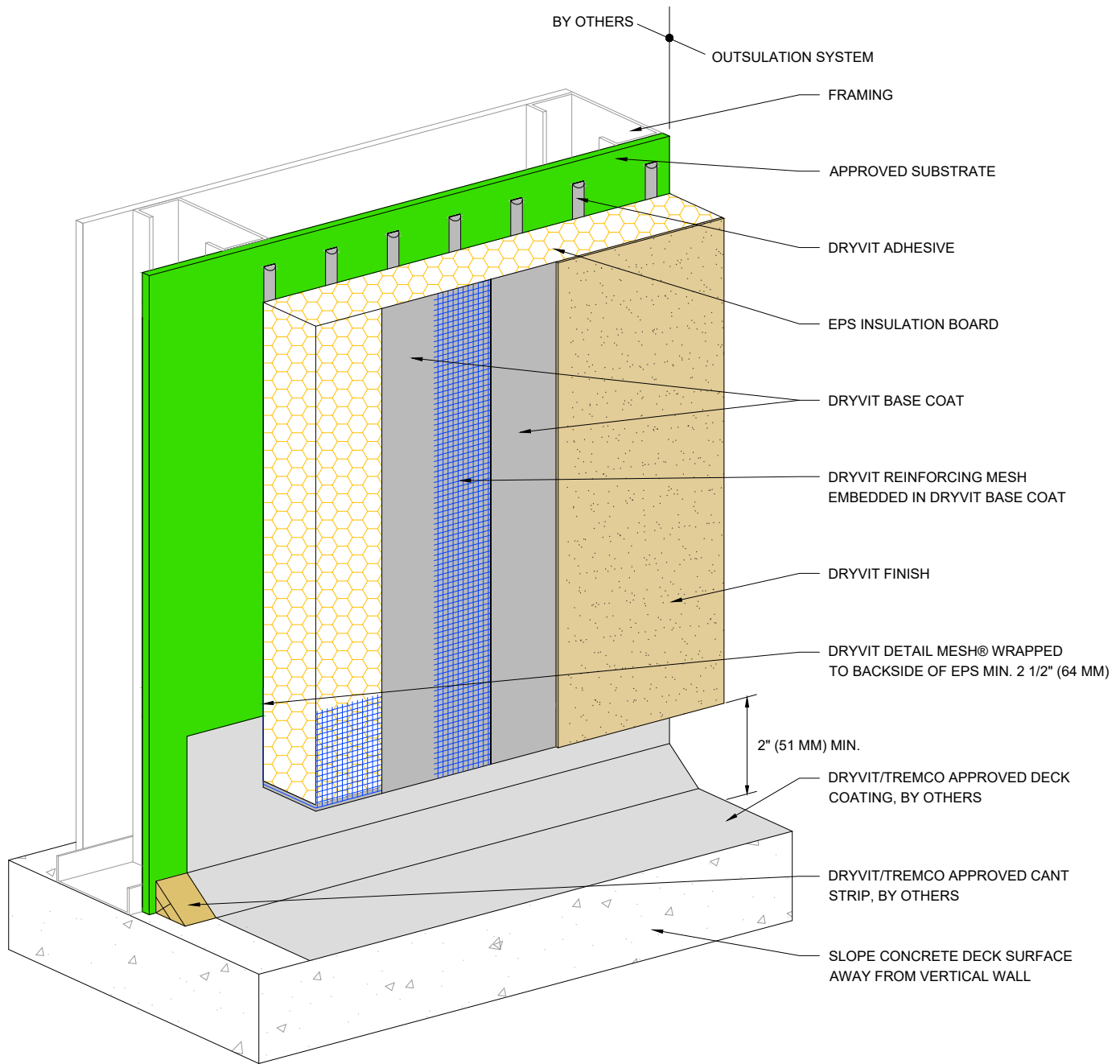
2. DETAIL DOES NOT APPLY TO CANTILEVERED DECKS. CANTILEVERED DECKS REQUIRE JOB SPECIFIC FLASHING DETAILS.

3. REFER TO PRODUCT DATA SHEETS FOR SPECIFIC APPLICATION METHODS.

*The architecture, engineering, and design of the project using the Dryvit products are the responsibility of the project's design professional. All products and systems must comply with local building codes and standards. This detail is for general information and guidance only and Dryvit specifically disclaims any liability for the use of this detail. The project design professional determines, in its sole discretion, whether this detail or a functionally equivalent detail is best suited for the project. This detail is subject to change without notice. Contact Dryvit to ensure you have the most recent version.*

**Outsulation® System**

 Dryvit Technical Support: 800-556-7752	Detail: Termination at Wood Framed Deck				File Name:		 Construction Products Group
	Drawn by: KAB	Checked by: CB	Scale: NTS	Date: 8/2023	OS 12		
www.tremcocpg.com							



**NOTE:**

1. DRYVIT RECOMMENDS THAT GROUND FLOOR APPLICATIONS AND ALL FACADES EXPOSED TO ABNORMAL STRESS, HIGH TRAFFIC, OR DELIBERATE IMPACT HAVE THE BASE COAT REINFORCED WITH PANZER® MESH PRIOR TO STANDARD™ OR STANDARD PLUS™ MESH. LOCATION OF HIGH IMPACT ZONES SHOULD BE INDICATED ON CONTRACT DRAWINGS.

*The architecture, engineering, and design of the project using the Dryvit products are the responsibility of the project's design professional. All products and systems must comply with local building codes and standards. This detail is for general information and guidance only and Dryvit specifically disclaims any liability for the use of this detail. The project design professional determines, in its sole discretion, whether this detail or a functionally equivalent detail is best suited for the project. This detail is subject to change without notice. Contact Dryvit to ensure you have the most recent version.*

**Outsulation® System**



Dryvit Technical Support: 800-556-7752

Detail: Termination at Waterproof Deck

Drawn by: KAB

Checked by: CB

Scale: NTS

Date: 8/2023

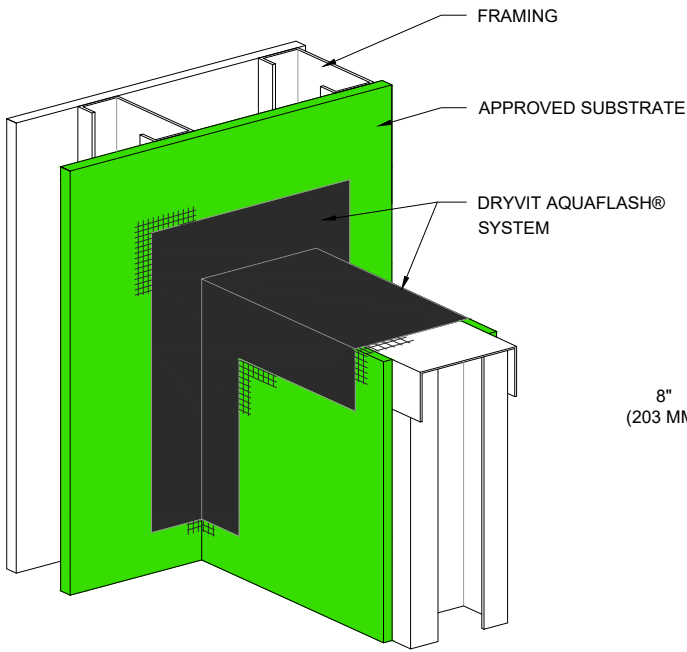
File Name:

OS 13

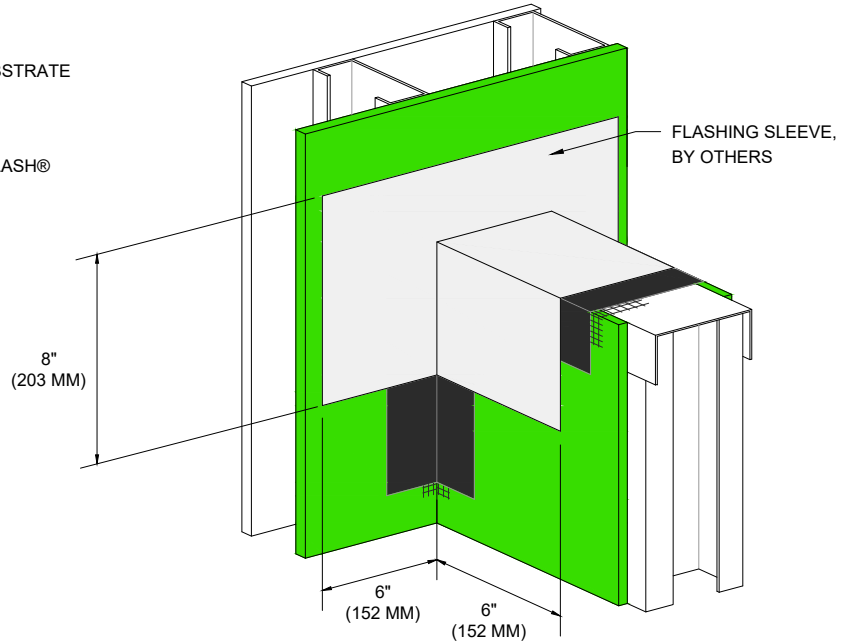


Construction Products Group

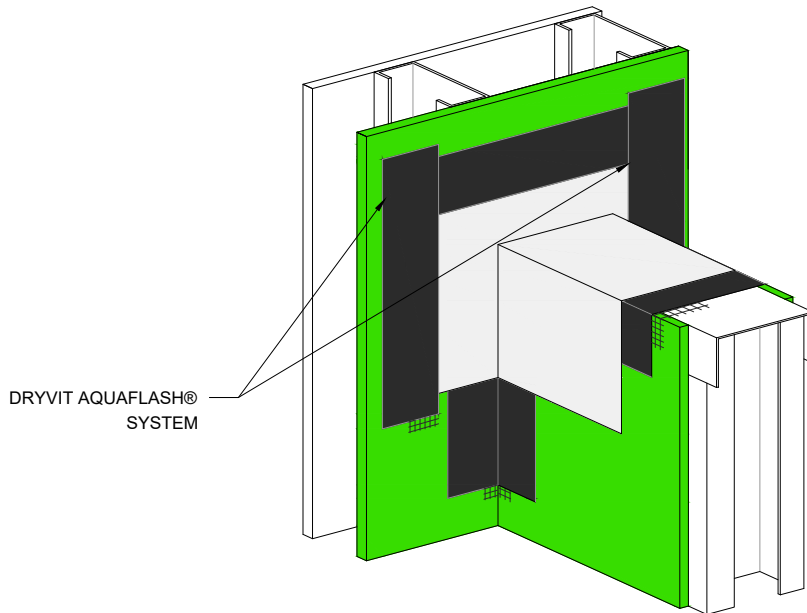
www.tremcocpg.com



**STEP #1**



**STEP #2**



**STEP #3**

*The architecture, engineering, and design of the project using the Dryvit products are the responsibility of the project's design professional. All products and systems must comply with local building codes and standards. This detail is for general information and guidance only and Dryvit specifically disclaims any liability for the use of this detail. The project design professional determines, in its sole discretion, whether this detail or a functionally equivalent detail is best suited for the project. This detail is subject to change without notice. Contact Dryvit to ensure you have the most recent version.*

**Outsulation® System**



Dryvit Technical Support: 800-556-7752

Detail: Preparation At Parapet/Wall Intersection

Drawn by: KAB

Checked by: CB

Scale: NTS

Date: 8/2023

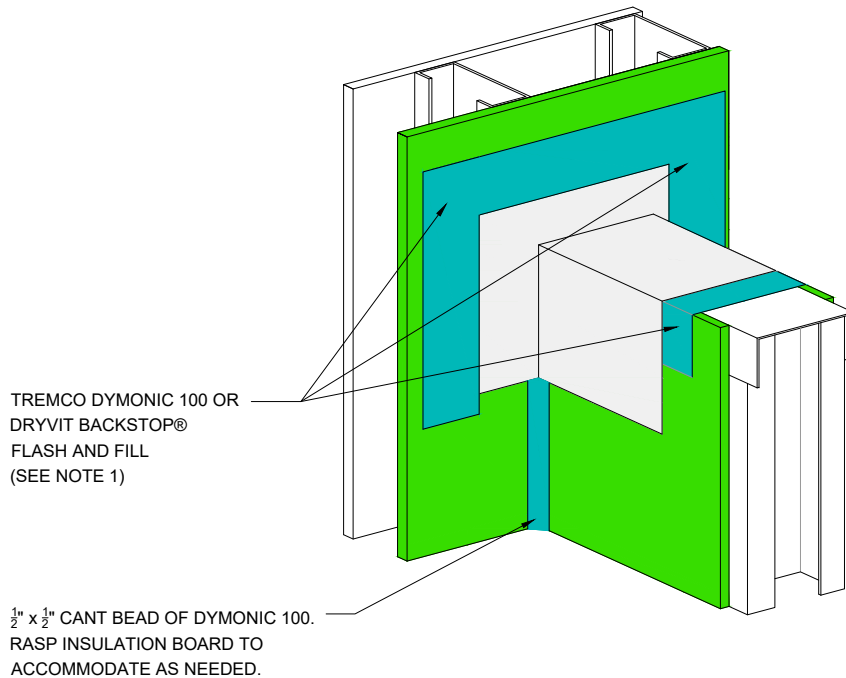
File Name:

OS 14



Construction Products Group

www.tremcocpg.com





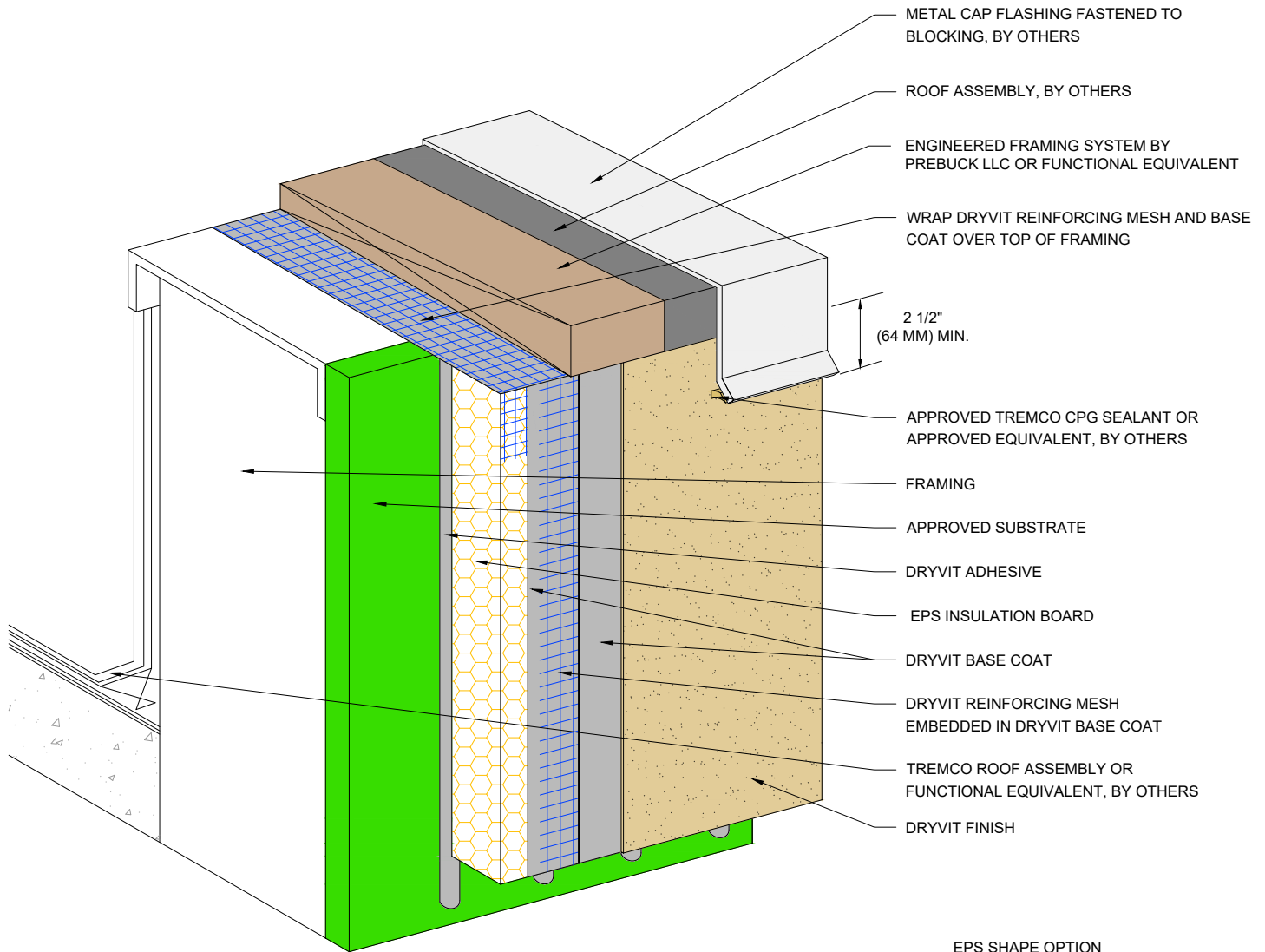
**TREMCO DYMONIC 100 OR  
 DRYVIT BACKSTOP®FLASH AND FILL  
 OPTION**

NOTE:  
 1. REFER TO PRODUCT DATA SHEETS FOR SPECIFIC  
 APPLICATION METHODS.

*The architecture, engineering, and design of the project using the Dryvit products are the responsibility of the project's design professional. All products and systems must comply with local building codes and standards. This detail is for general information and guidance only and Dryvit specifically disclaims any liability for the use of this detail. The project design professional determines, in its sole discretion, whether this detail or a functionally equivalent detail is best suited for the project. This detail is subject to change without notice. Contact Dryvit to ensure you have the most recent version.*

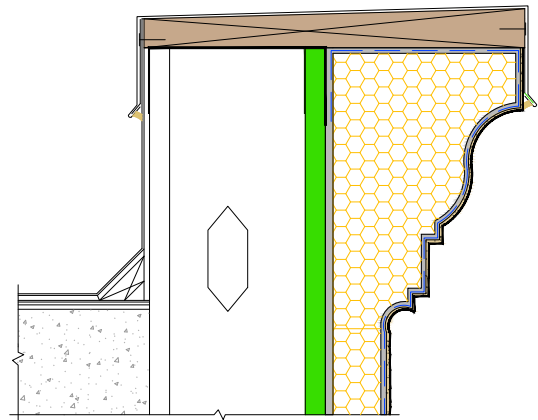
**Outsulation® System**

 Dryvit Technical Support: 800-556-7752	Detail: Preparation At Parapet/Wall Intersection - Tremco Dymonic® 100 or Backstop® Flash and Fill Option			File Name: OS 14A		 Construction Products Group
	Drawn by: KAB	Checked by: CB	Scale: NTS	Date: 8/2023		
<a href="http://www.tremcocpg.com">www.tremcocpg.com</a>						



- METAL CAP FLASHING FASTENED TO BLOCKING, BY OTHERS
- ROOF ASSEMBLY, BY OTHERS
- ENGINEERED FRAMING SYSTEM BY PREBUCK LLC OR FUNCTIONAL EQUIVALENT
- WRAP DRYVIT REINFORCING MESH AND BASE COAT OVER TOP OF FRAMING
- 2 1/2" (64 MM) MIN.
- APPROVED TREMCO CPG SEALANT OR APPROVED EQUIVALENT, BY OTHERS
- FRAMING
- APPROVED SUBSTRATE
- DRYVIT ADHESIVE
- EPS INSULATION BOARD
- DRYVIT BASE COAT
- DRYVIT REINFORCING MESH EMBEDDED IN DRYVIT BASE COAT
- TREMCO ROOF ASSEMBLY OR FUNCTIONAL EQUIVALENT, BY OTHERS
- DRYVIT FINISH

EPS SHAPE OPTION  
(SEE NOTE 3)



**NOTE:**

1. DRYVIT RECOMMENDS THAT GROUND FLOOR APPLICATIONS AND ALL FACADES EXPOSED TO ABNORMAL STRESS, HIGH TRAFFIC, OR DELIBERATE IMPACT HAVE THE BASE COAT REINFORCED WITH PANZER® MESH PRIOR TO STANDARD™ OR STANDARD PLUS™ MESH. LOCATION OF HIGH IMPACT ZONES SHOULD BE INDICATED ON CONTRACT DRAWINGS.

2. MAXIMUM THICKNESS OF EPS BUILT OUT SHAPES SHALL NOT EXCEED 13" (330 MM) AT ANY POINT MEASURED FROM THE SUBSTRATE.

*The architecture, engineering, and design of the project using the Dryvit products are the responsibility of the project's design professional. All products and systems must comply with local building codes and standards. This detail is for general information and guidance only and Dryvit specifically disclaims any liability for the use of this detail. The project design professional determines, in its sole discretion, whether this detail or a functionally equivalent detail is best suited for the project. This detail is subject to change without notice. Contact Dryvit to ensure you have the most recent version.*

**Outsulation® System**



Dryvit Technical Support: 800-556-7752

Detail: Termination At Parapet - Cap Flashing

Drawn by: KAB

Checked by: CB

Scale: NTS

Date: 8/2023

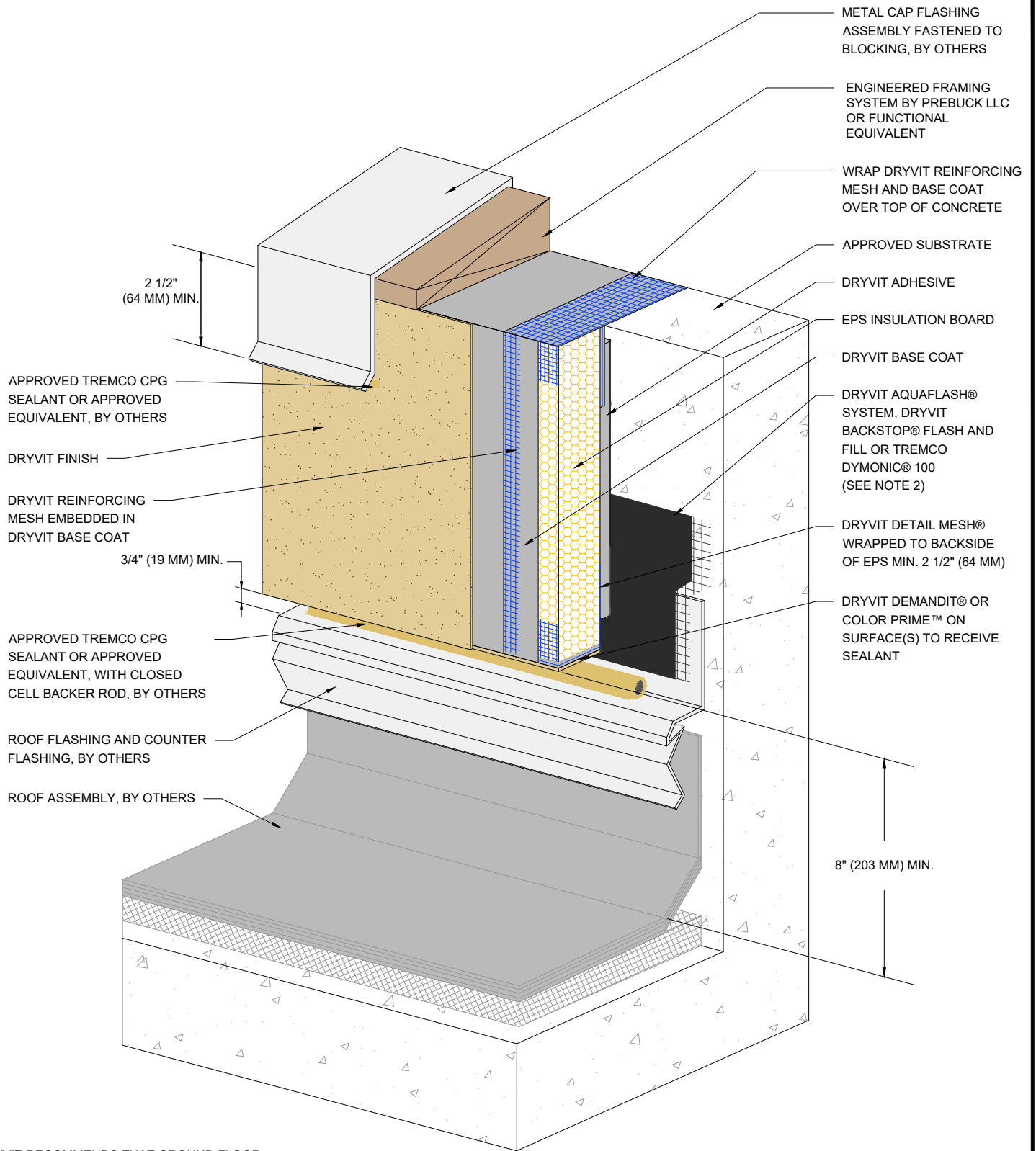
File Name:

OS 15



Construction Products Group

www.tremcocpg.com



NOTE:  
 1. DRYVIT RECOMMENDS THAT GROUND FLOOR APPLICATIONS AND ALL FACADES EXPOSED TO ABNORMAL STRESS, HIGH TRAFFIC, OR DELIBERATE IMPACT HAVE THE BASE COAT REINFORCED WITH PANZER® MESH PRIOR TO STANDARD™ OR STANDARD PLUS™ MESH. LOCATION OF HIGH IMPACT ZONES SHOULD BE INDICATED ON CONTRACT DRAWINGS.

2. REFER TO PRODUCT DATA SHEETS FOR SPECIFIC APPLICATION METHODS.

The architecture, engineering, and design of the project using the Dryvit products are the responsibility of the project's design professional. All products and systems must comply with local building codes and standards. This detail is for general information and guidance only and Dryvit specifically disclaims any liability for the use of this detail. The project design professional determines, in its sole discretion, whether this detail or a functionally equivalent detail is best suited for the project. This detail is subject to change without notice. Contact Dryvit to ensure you have the most recent version.

### Outsulation® System



Dryvit Technical Support: 800-556-7752

Detail: Termination At Parapet - Solid Substrate

Drawn by: KAB

Checked by: CB

Scale: NTS

Date: 8/2023

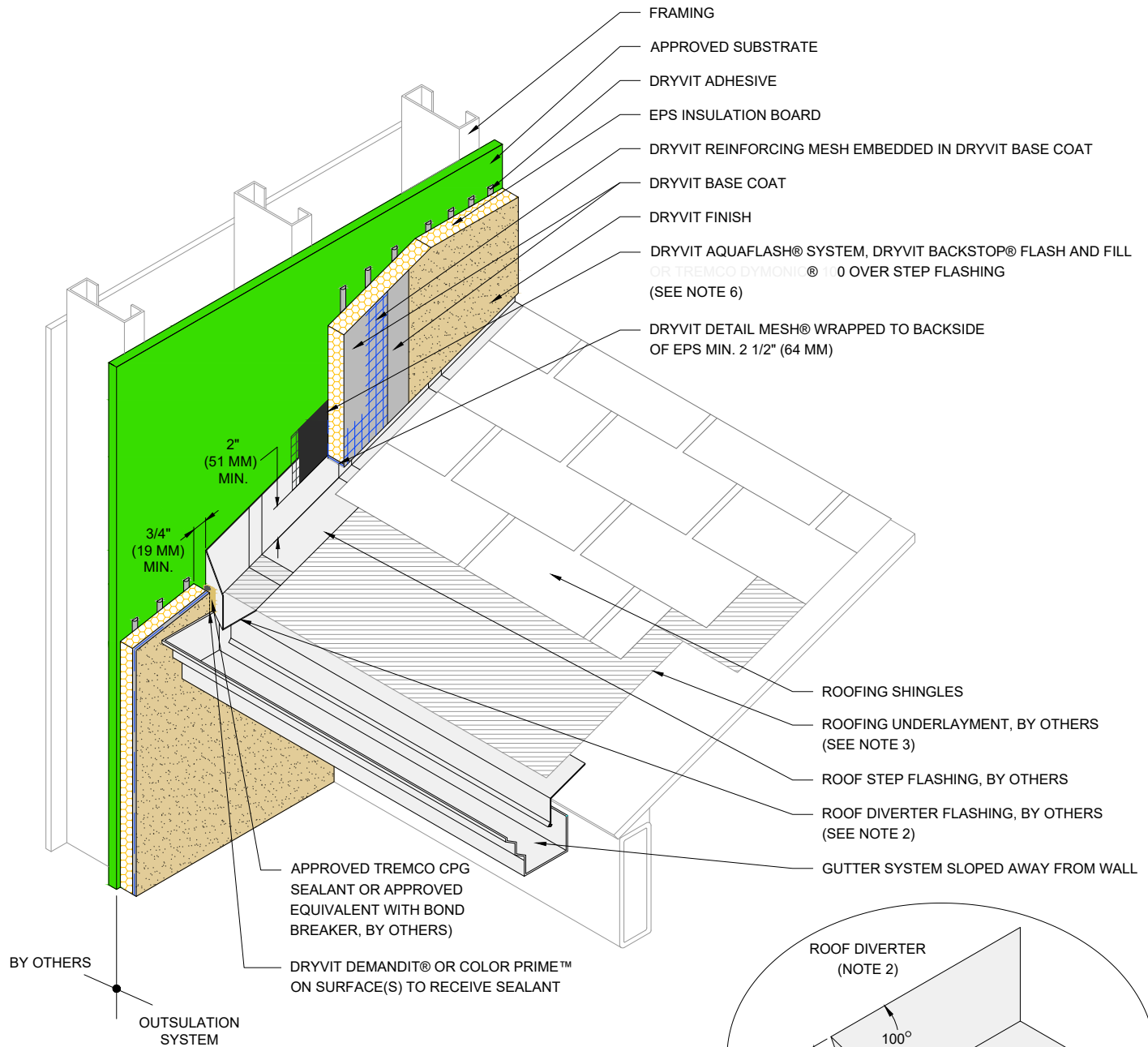
File Name:

OS 16



Construction Products Group

www.tremcocpg.com



**NOTE:**

1. EXTEND DIVERTER FLASHING (KICKOUT) A MINIMUM OF 1" (25 MM) BEYOND FACE OF THE SYSTEM.

2. ROOF DIVERTER TO BE MADE FROM CORROSION RESISTANT MATERIAL MIN. 24 GAGE WITH WATER TIGHT SEAMS.

3. EXTEND ROOFING UNDERLAYMENT 5" (127 MM) UP VERTICAL WALL BEHIND METAL FLASHING.

4. METAL FLASHINGS ARE 10" (254 MM) X 2" (51 MM) LONGER THAN THE EXPOSED PORTION OF THE ROOFING SHINGLE AND ARE BENT IN HALF TO ALLOW FOR TWO 5" (127 MM) LEGS. ALTHOUGH NOT SHOWN, METAL FLASHINGS ARE STEP FLASHED (INTERWOVEN) WITH ROOFING SHINGLES.

5. FOR ADDITIONAL SLOPED ROOF DETAILS, REFER TO DRYVIT PUBLICATION DS106.

6. REFER TO PRODUCT DATA SHEETS FOR SPECIFIC APPLICATION METHODS.

*The architecture, engineering, and design of the project using the Dryvit products are the responsibility of the project's design professional. All products and systems must comply with local building codes and standards. This detail is for general information and guidance only and Dryvit specifically disclaims any liability for the use of this detail. The project design professional determines, in its sole discretion, whether this detail or a functionally equivalent detail is best suited for the project. This detail is subject to change without notice. Contact Dryvit to ensure you have the most recent version.*

**Outsulation® System**



Dryvit Technical Support: 800-556-7752

Detail: Termination at Sloped Roof

Drawn by: KAB

Checked by: CB

Scale: NTS

Date: 8/2023

File Name:

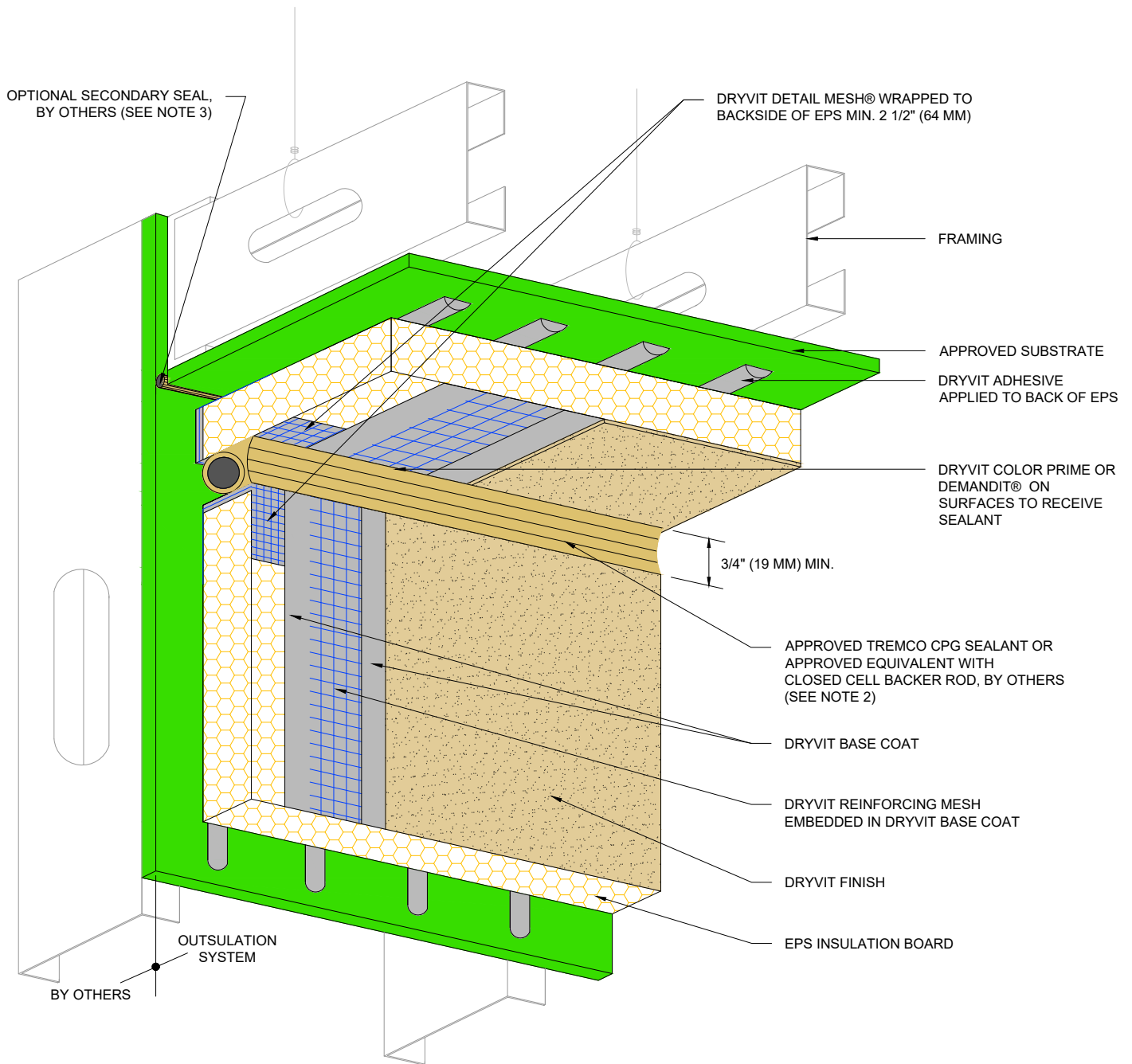
OS 17



Construction Products Group

www.tremcocpg.com





**NOTE:**

1. DRYVIT RECOMMENDS THAT GROUND FLOOR APPLICATIONS AND ALL FACADES EXPOSED TO ABNORMAL STRESS, HIGH TRAFFIC, OR DELIBERATE IMPACT HAVE THE BASE COAT REINFORCED WITH PANZER® MESH PRIOR TO STANDARD™ OR STANDARD PLUS™ MESH. LOCATION OF HIGH IMPACT ZONES SHOULD BE INDICATED ON CONTRACT DRAWINGS.

2. SEALANT JOINT IS REQUIRED FOR SUSPENDED SOFFITS. OPTIONAL FOR RIGIDLY FRAMED.

*The architecture, engineering, and design of the project using the Dryvit products are the responsibility of the project's design professional. All products and systems must comply with local building codes and standards. This detail is for general information and guidance only and Dryvit specifically disclaims any liability for the use of this detail. The project design professional determines, in its sole discretion, whether this detail or a functionally equivalent detail is best suited for the project. This detail is subject to change without notice. Contact Dryvit to ensure you have the most recent version.*

**Outsulation® System**



Dryvit Technical Support: 800-556-7752

Detail: Vertical Wall/Suspended Soffit Transition

Drawn by: KAB

Checked by: CB

Scale: NTS

Date: 8/2023

File Name:

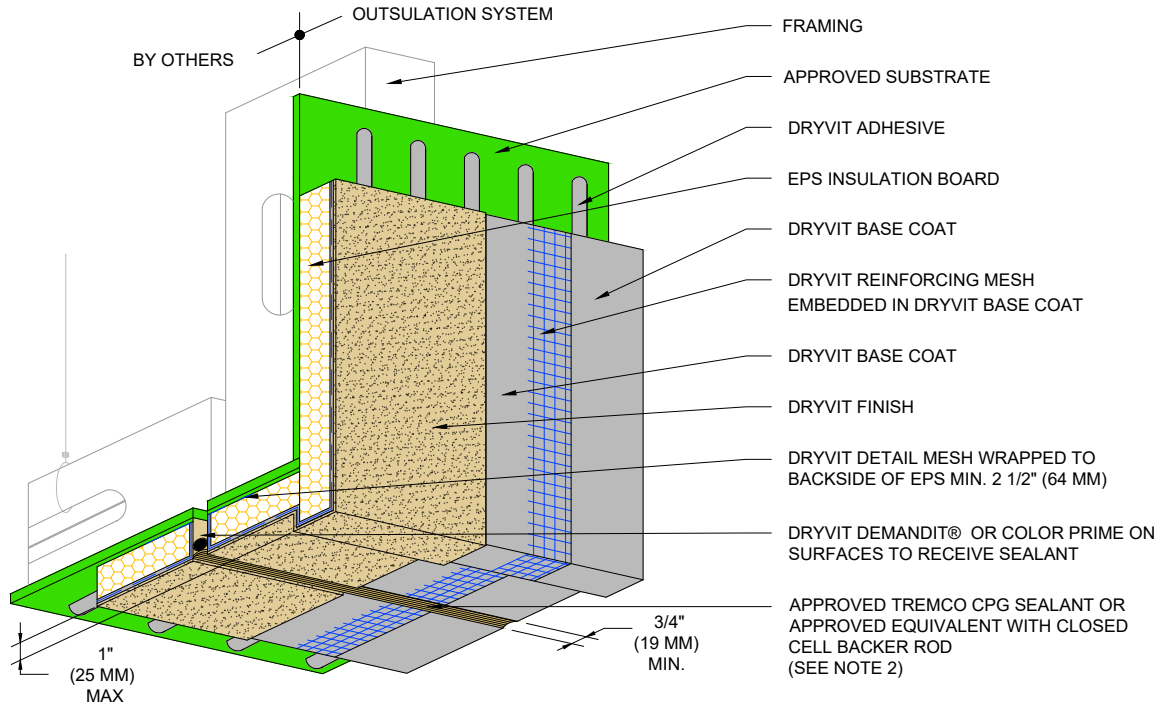
OS 18



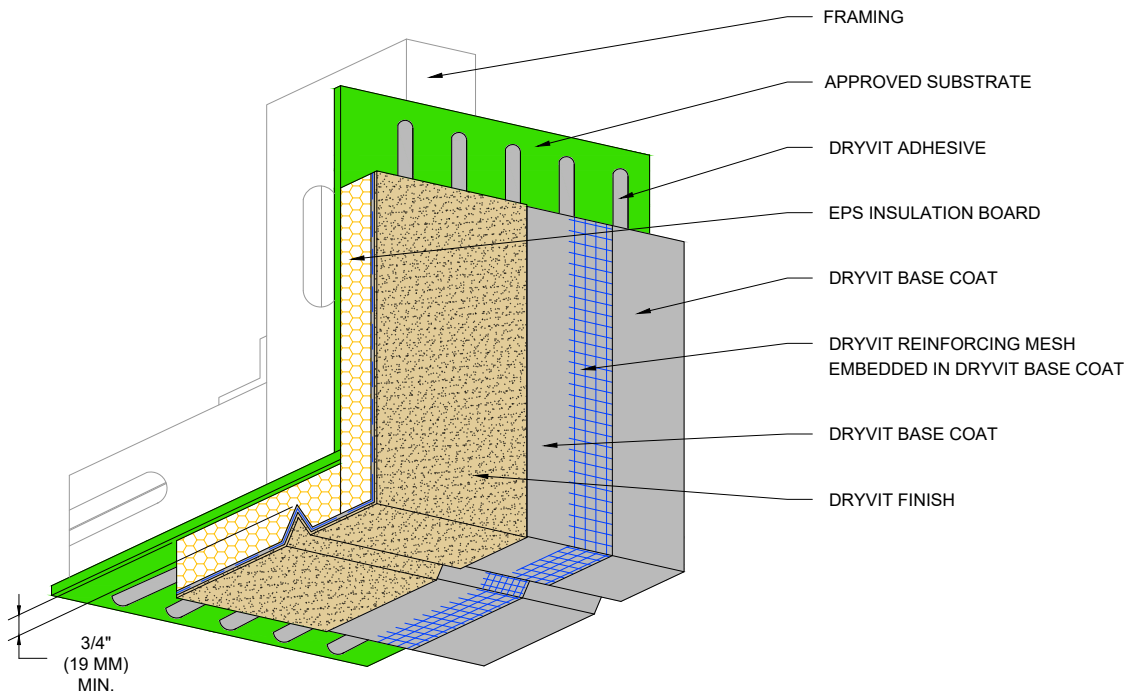
Construction Products Group

www.tremcocpg.com

EXTENDED DRIP



CUT DRIP



NOTE:

1. DRYVIT RECOMMENDS THAT GROUND FLOOR APPLICATIONS AND ALL FACADES EXPOSED TO ABNORMAL STRESS, HIGH TRAFFIC, OR DELIBERATE IMPACT HAVE THE BASE COAT REINFORCED WITH PANZER® MESH PRIOR TO STANDARD™ OR STANDARD PLUS™ MESH. LOCATION OF HIGH IMPACT ZONES SHOULD BE INDICATED ON CONTRACT DRAWINGS.

2. EXPANSION JOINT IS REQUIRED FOR SUSPENDED SOFFITS. OPTIONAL FOR RIGIDLY FRAMED.

*The architecture, engineering, and design of the project using the Dryvit products are the responsibility of the project's design professional. All products and systems must comply with local building codes and standards. This detail is for general information and guidance only and Dryvit specifically disclaims any liability for the use of this detail. The project design professional determines, in its sole discretion, whether this detail or a functionally equivalent detail is best suited for the project. This detail is subject to change without notice. Contact Dryvit to ensure you have the most recent version.*

**Outsulation® System**



Dryvit Technical Support: 800-556-7752

Detail: Transition At Soffit/Fascia Intersection

Drawn by: KAB

Checked by: CB

Scale: NTS

Date: 8/2023

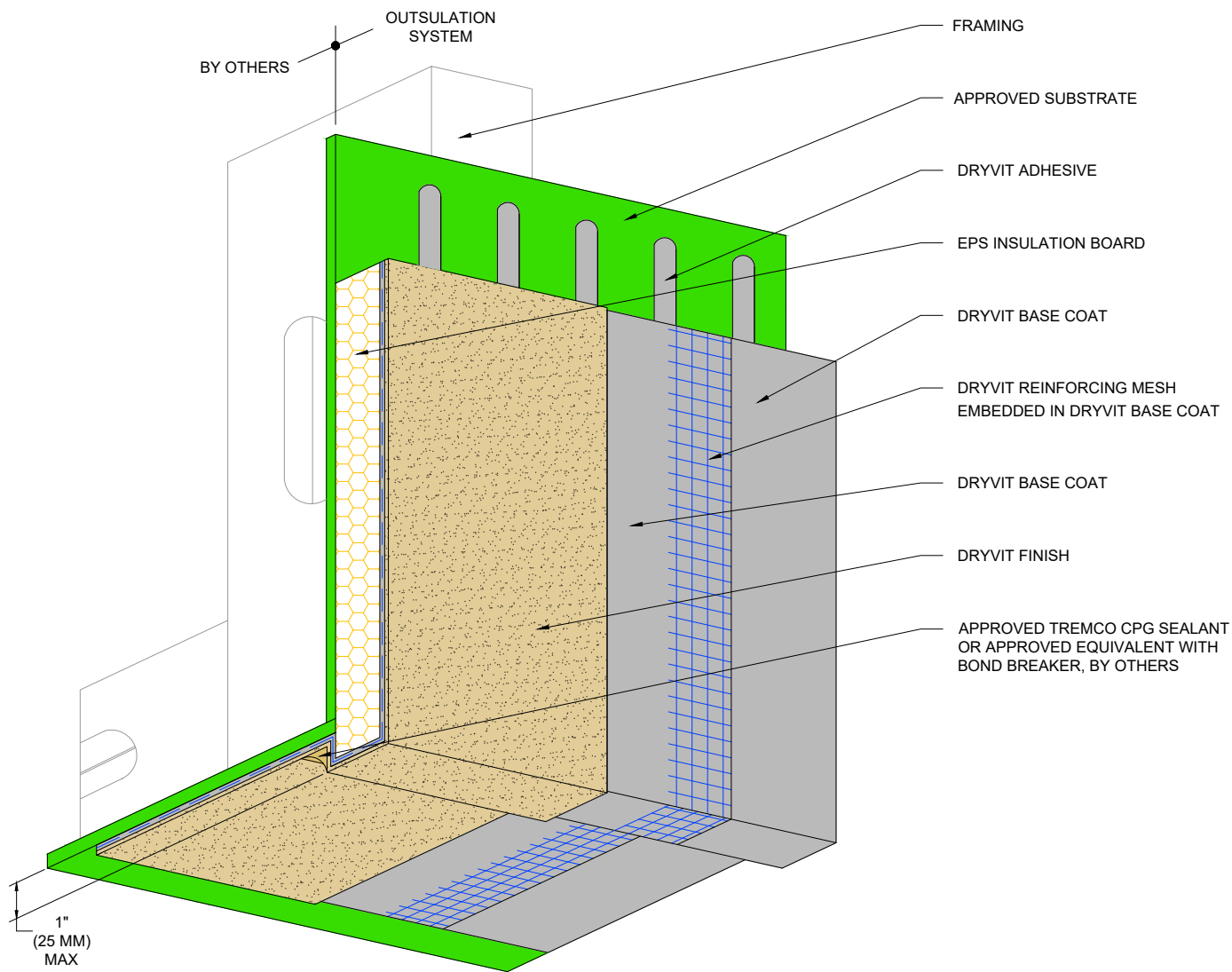
File Name:

OS 19



Construction Products Group



www.tremcocpg.com

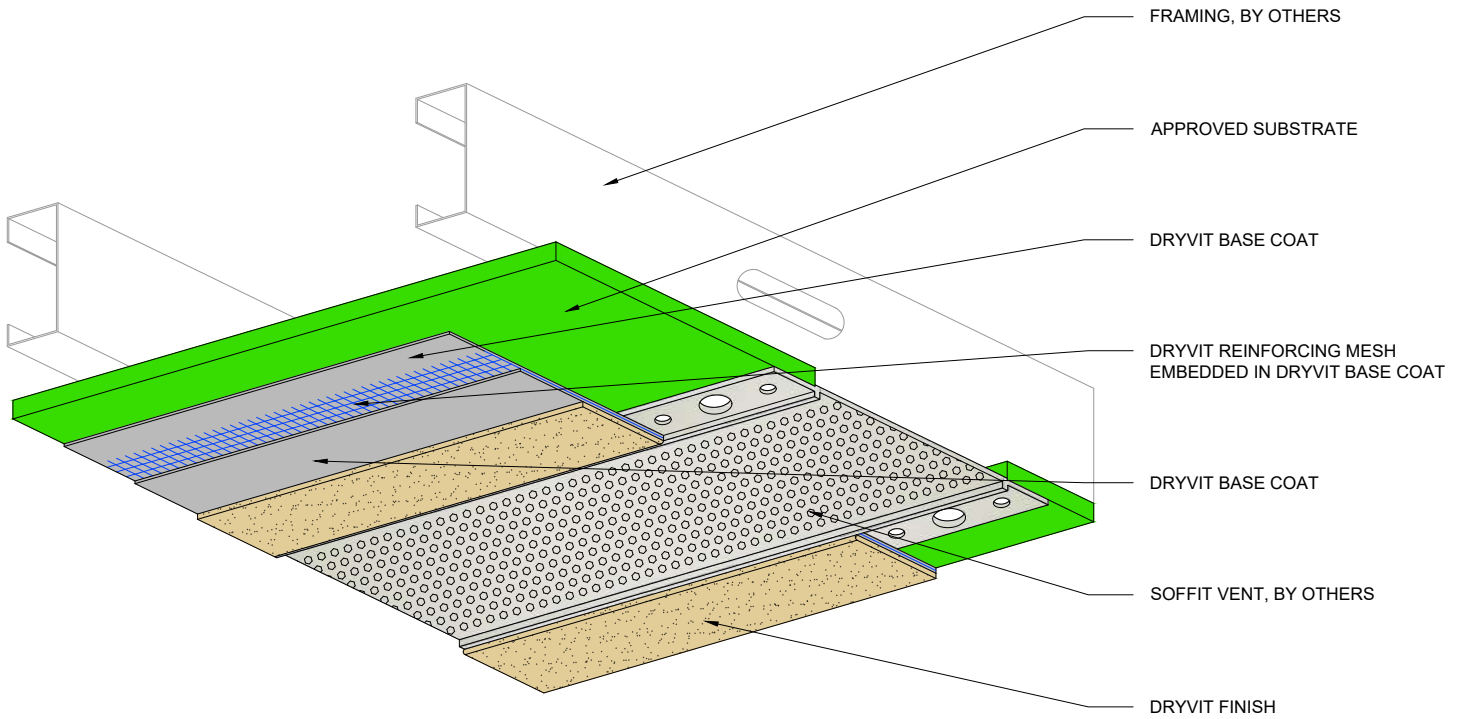


NOTE:  
 1. DRYVIT RECOMMENDS THAT GROUND FLOOR APPLICATIONS AND ALL FACADES EXPOSED TO ABNORMAL STRESS, HIGH TRAFFIC, OR DELIBERATE IMPACT HAVE THE BASE COAT REINFORCED WITH PANZER® MESH PRIOR TO STANDARD™ OR STANDARD PLUS™ MESH. LOCATION OF HIGH IMPACT ZONES SHOULD BE INDICATED ON CONTRACT DRAWINGS.

*The architecture, engineering, and design of the project using the Dryvit products are the responsibility of the project's design professional. All products and systems must comply with local building codes and standards. This detail is for general information and guidance only and Dryvit specifically disclaims any liability for the use of this detail. The project design professional determines, in its sole discretion, whether this detail or a functionally equivalent detail is best suited for the project. This detail is subject to change without notice. Contact Dryvit to ensure you have the most recent version.*

**Outsulation® System**

 Dryvit Technical Support: 800-556-7752	Detail: Fascia/Uninsulated Soffit Transition				File Name:		 Construction Products Group
	Drawn by: KAB	Checked by: CB	Scale: NTS	Date: 8/2023	OS 20		
www.tremcocpg.com							



- NOTE:
1. CONTROL JOINTS ARE RECOMMENDED EVERY 20 FT (6.1 M).
  2. REFER TO DRYVIT PUBLICATION DS173 FOR SPECIFIC REQUIREMENTS FOR SOFFIT AREAS.
  3. SEAL ALL BUTT JOINTS, INTERSECTIONS, AND ENDS OF VENTS WITH COMPATIBLE SEALANT.
  4. SEE DRYVIT PUBLICATION DS842 FOR ADDITIONAL DIRECT APPLIED DETAILS.

*The architecture, engineering, and design of the project using the Dryvit products are the responsibility of the project's design professional. All products and systems must comply with local building codes and standards. This detail is for general information and guidance only and Dryvit specifically disclaims any liability for the use of this detail. The project design professional determines, in its sole discretion, whether this detail or a functionally equivalent detail is best suited for the project. This detail is subject to change without notice. Contact Dryvit to ensure you have the most recent version.*

### Outsulation® System



Dryvit Technical Support: 800-556-7752

Detail: Termination at Uninsulated Soffit Vent

Drawn by: KAB

Checked by: CB

Scale: NTS

Date: 8/2023

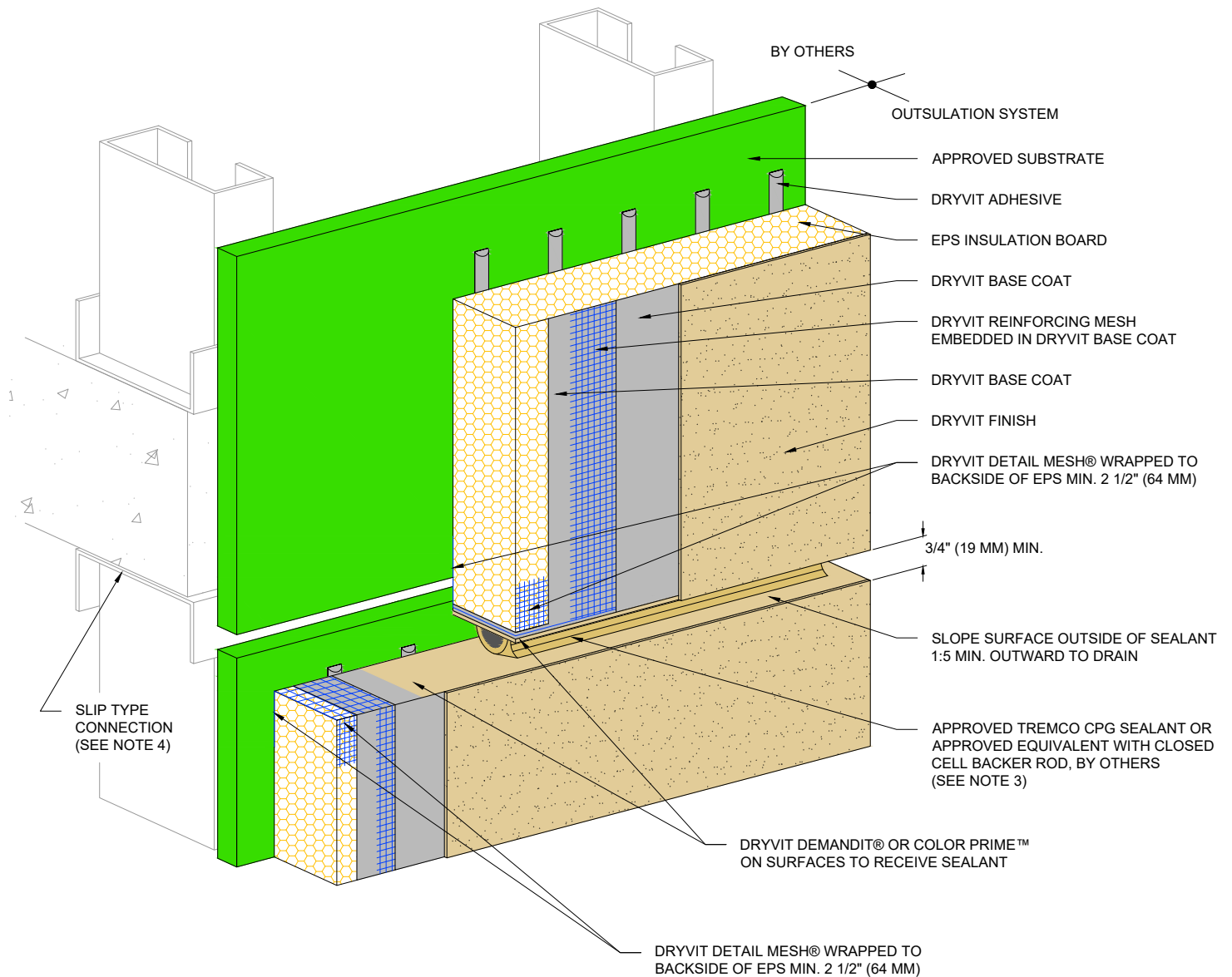
File Name:

OS 21



Construction Products Group

[www.tremcocpg.com](http://www.tremcocpg.com)



**NOTE:**

1. DRYVIT RECOMMENDS THAT GROUND FLOOR APPLICATIONS AND ALL FACADES EXPOSED TO ABNORMAL STRESS, HIGH TRAFFIC, OR DELIBERATE IMPACT HAVE THE BASE COAT REINFORCED WITH PANZER® MESH PRIOR TO STANDARD™ OR STANDARD PLUS™ MESH. LOCATION OF HIGH IMPACT ZONES SHOULD BE INDICATED ON CONTRACT DRAWINGS.

2. LOCATE EXTERNAL SEALANT JOINT WITHIN 2" (51 MM) OF BREAK IN SHEATHING.

3. EXPANSION JOINT IN THE OUTSULATION SYSTEM IS NECESSARY WHERE SIGNIFICANT DIFFERENTIAL MOVEMENT IS EXPECTED AT FLOOR LINES.

4. FOR STEEL FRAMED CONSTRUCTION: EXPANSION JOINT IS INTENDED TO ACCOMMODATE MOVEMENT AT SLIP CONNECTION.

FOR WOOD FRAMED CONSTRUCTION: EXPANSION JOINT IS INTENDED TO ACCOMMODATE CROSS GRAIN SHRINKAGE OF FLOOR BEAMS.

*The architecture, engineering, and design of the project using the Dryvit products are the responsibility of the project's design professional. All products and systems must comply with local building codes and standards. This detail is for general information and guidance only and Dryvit specifically disclaims any liability for the use of this detail. The project design professional determines, in its sole discretion, whether this detail or a functionally equivalent detail is best suited for the project. This detail is subject to change without notice. Contact Dryvit to ensure you have the most recent version.*

**Outsulation® System**



Dryvit Technical Support: 800-556-7752

Detail: Horizontal Joint At Floor Line

Drawn by: KAB

Checked by: CB

Scale: NTS

Date: 8/2023

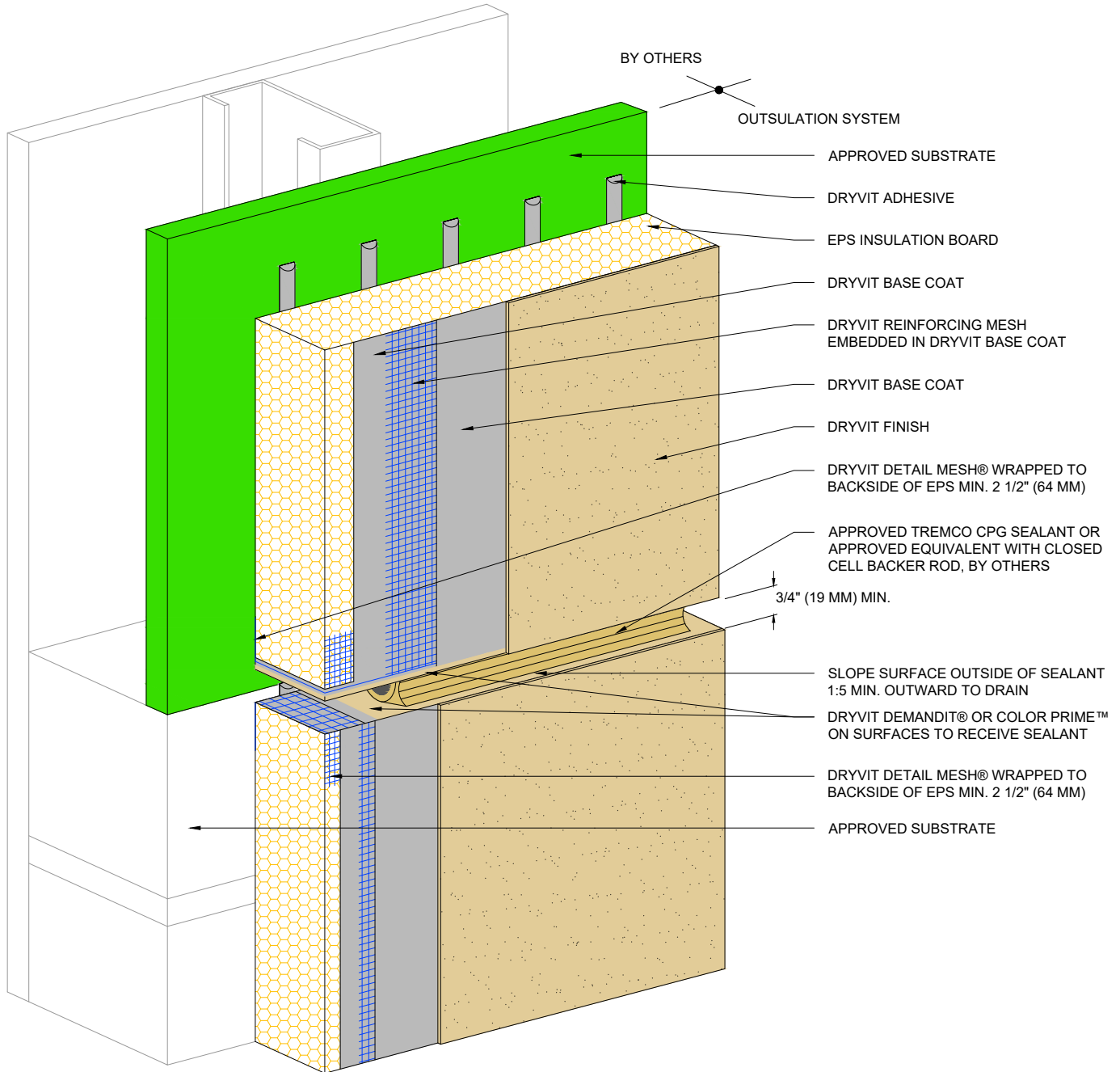
File Name:

OS 22



Construction Products Group



www.tremcocpg.com

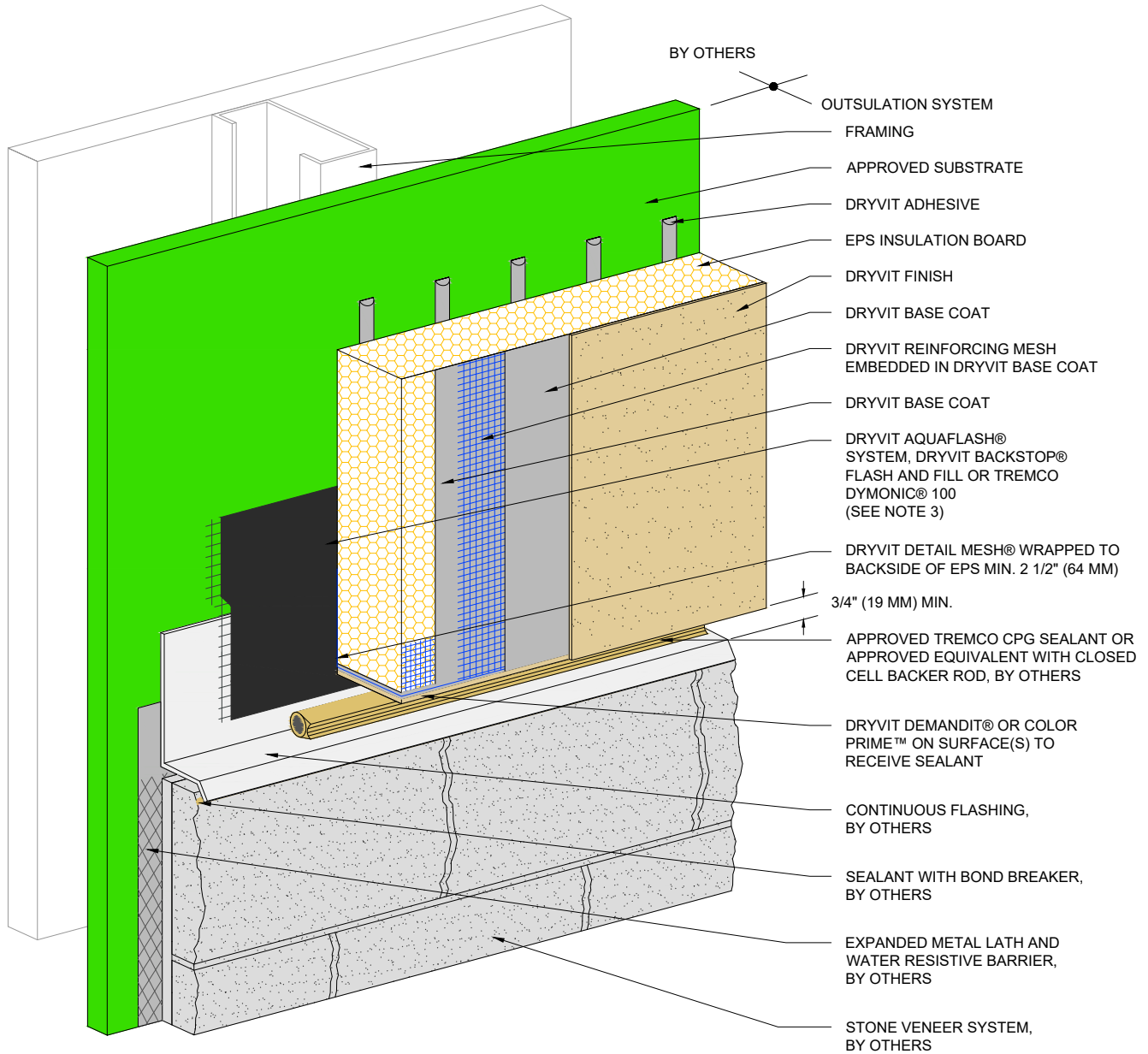


NOTE:  
 1. DRYVIT RECOMMENDS THAT GROUND FLOOR APPLICATIONS AND ALL FACADES EXPOSED TO ABNORMAL STRESS, HIGH TRAFFIC, OR DELIBERATE IMPACT HAVE THE BASE COAT REINFORCED WITH PANZER® MESH PRIOR TO STANDARD™ OR STANDARD PLUS™ MESH. LOCATION OF HIGH IMPACT ZONES SHOULD BE INDICATED ON CONTRACT DRAWINGS.

*The architecture, engineering, and design of the project using the Dryvit products are the responsibility of the project's design professional. All products and systems must comply with local building codes and standards. This detail is for general information and guidance only and Dryvit specifically disclaims any liability for the use of this detail. The project design professional determines, in its sole discretion, whether this detail or a functionally equivalent detail is best suited for the project. This detail is subject to change without notice. Contact Dryvit to ensure you have the most recent version.*

**Outsulation® System**

 Dryvit Technical Support: 800-556-7752	Detail: Horizontal Joint - Substrate Change			File Name:		 <b>TREMCO</b> Construction Products Group
	Drawn by: KAB	Checked by: CB	Scale: NTS	Date: 8/2023	OS 23	
www.tremcocpg.com						



**NOTE:**



1. DRYVIT RECOMMENDS THAT GROUND FLOOR APPLICATIONS AND ALL FACADES EXPOSED TO ABNORMAL STRESS, HIGH TRAFFIC, OR DELIBERATE IMPACT HAVE THE BASE COAT REINFORCED WITH PANZER® MESH PRIOR TO STANDARD™ OR STANDARD PLUS™ MESH. LOCATION OF HIGH IMPACT ZONES SHOULD BE INDICATED ON CONTRACT DRAWINGS.

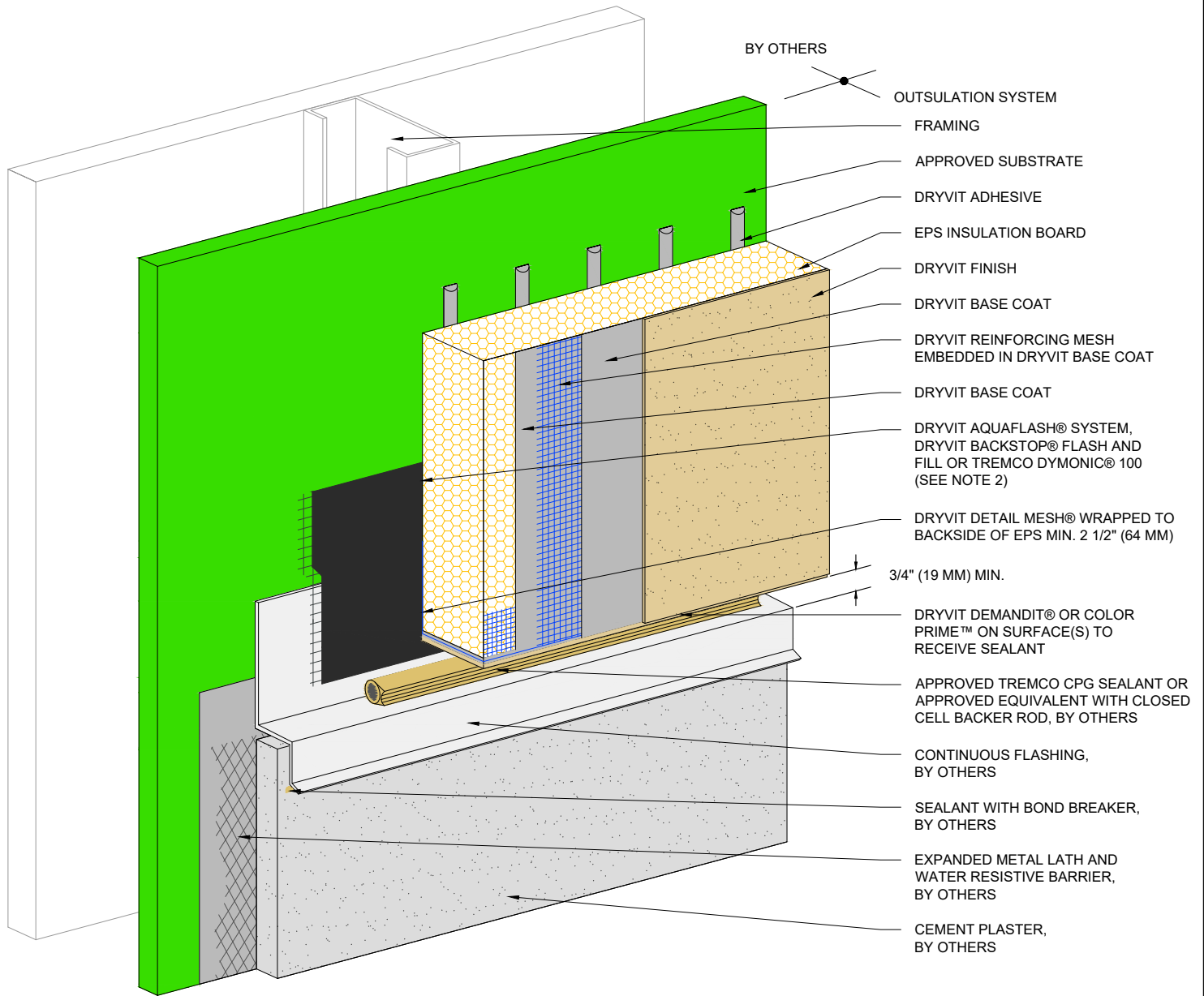
2. FOR INSTALLATION OF DRYVIT AIR/WATER-RESISTIVE BARRIER COATING BENEATH CLADDINGS OTHER THAN DRYVIT EIFS, REFER TO DRYVIT PUBLICATION DS840.

3. REFER TO PRODUCT DATA SHEETS FOR SPECIFIC APPLICATION METHODS.

*The architecture, engineering, and design of the project using the Dryvit products are the responsibility of the project's design professional. All products and systems must comply with local building codes and standards. This detail is for general information and guidance only and Dryvit specifically disclaims any liability for the use of this detail. The project design professional determines, in its sole discretion, whether this detail or a functionally equivalent detail is best suited for the project. This detail is subject to change without notice. Contact Dryvit to ensure you have the most recent version.*

**Outsulation® System**

 Dryvit Technical Support: 800-556-7752	Detail: Horizontal Termination at Stone Veneer				File Name:	 Construction Products Group
	Drawn by: KAB	Checked by: CB	Scale: NTS	Date: 8/2023	OS 24	
www.tremcocpg.com						





**NOTE:**

1. DRYVIT RECOMMENDS THAT GROUND FLOOR APPLICATIONS AND ALL FACADES EXPOSED TO ABNORMAL STRESS, HIGH TRAFFIC, OR DELIBERATE IMPACT HAVE THE BASE COAT REINFORCED WITH PANZER® MESH PRIOR TO STANDARD™ OR STANDARD PLUS™ MESH. LOCATION OF HIGH IMPACT ZONES SHOULD BE INDICATED ON CONTRACT DRAWINGS.

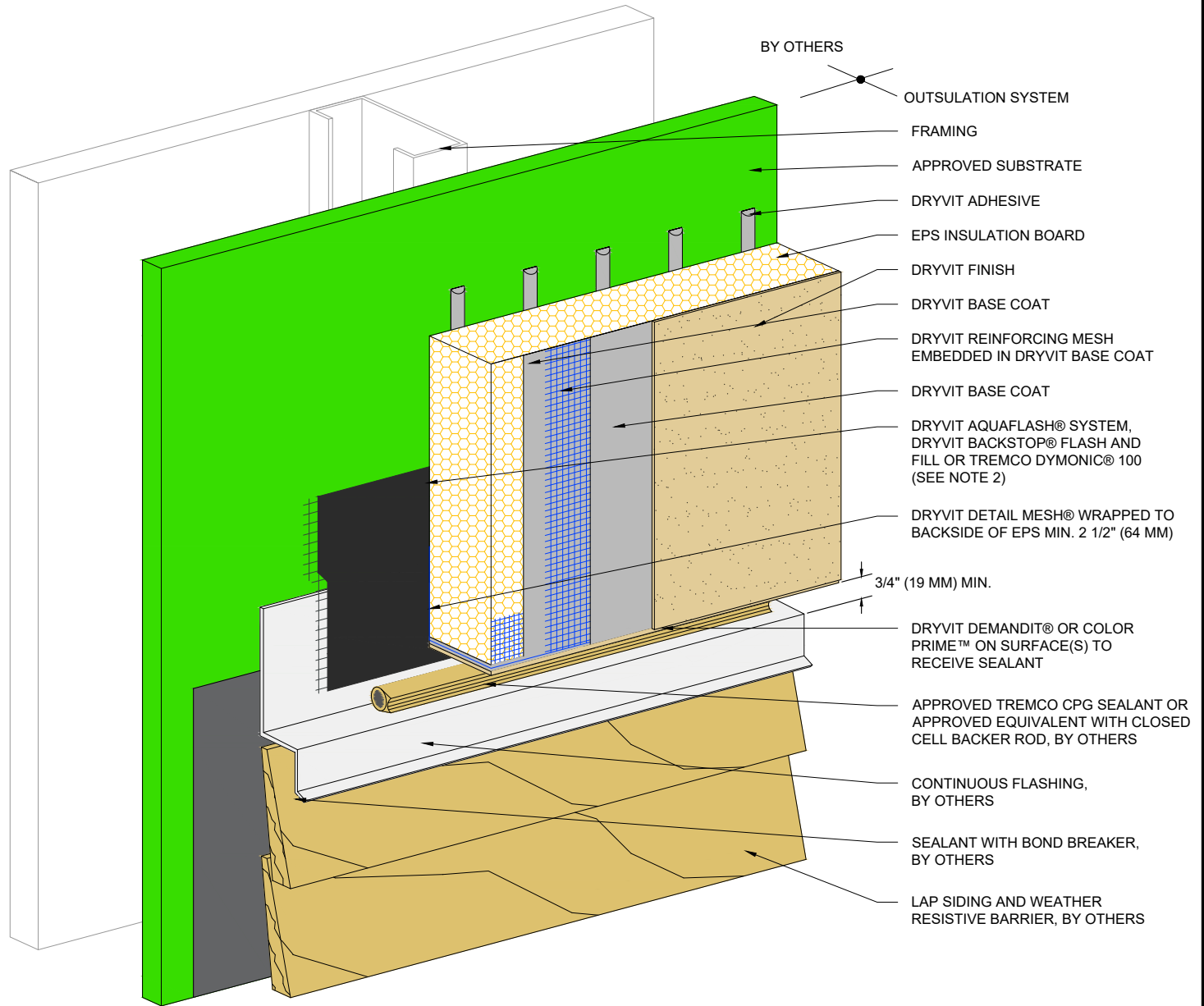
2. REFER TO PRODUCT DATA SHEETS FOR SPECIFIC APPLICATION METHODS.

*The architecture, engineering, and design of the project using the Dryvit products are the responsibility of the project's design professional. All products and systems must comply with local building codes and standards. This detail is for general information and guidance only and Dryvit specifically disclaims any liability for the use of this detail. The project design professional determines, in its sole discretion, whether this detail or a functionally equivalent detail is best suited for the project. This detail is subject to change without notice. Contact Dryvit to ensure you have the most recent version.*

**Outsulation® System**

 Dryvit Technical Support: 800-556-7752	Detail: Horizontal Termination at Stucco				File Name:		 Construction Products Group
	Drawn by: KAB	Checked by: CB	Scale: NTS	Date: 8/2023	OS 25		
www.tremcocpg.com							







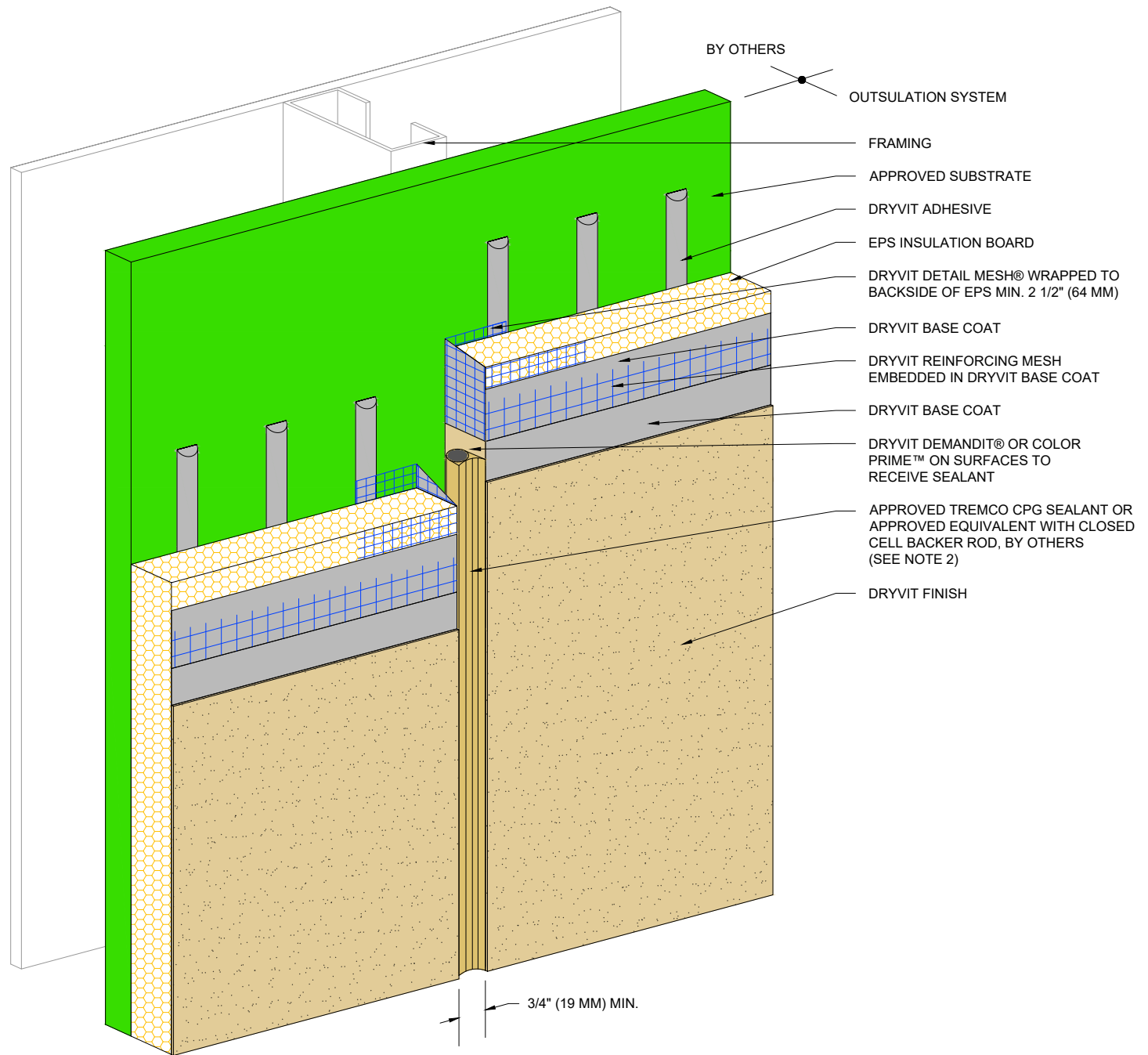
NOTE:  
 1. DRYVIT RECOMMENDS THAT GROUND FLOOR APPLICATIONS AND ALL FACADES EXPOSED TO ABNORMAL STRESS, HIGH TRAFFIC, OR DELIBERATE IMPACT HAVE THE BASE COAT REINFORCED WITH PANZER® MESH PRIOR TO STANDARD™ OR STANDARD PLUS™ MESH. LOCATION OF HIGH IMPACT ZONES SHOULD BE INDICATED ON CONTRACT DRAWINGS.

2. REFER TO PRODUCT DATA SHEETS FOR SPECIFIC APPLICATION METHODS.

*The architecture, engineering, and design of the project using the Dryvit products are the responsibility of the project's design professional. All products and systems must comply with local building codes and standards. This detail is for general information and guidance only and Dryvit specifically disclaims any liability for the use of this detail. The project design professional determines, in its sole discretion, whether this detail or a functionally equivalent detail is best suited for the project. This detail is subject to change without notice. Contact Dryvit to ensure you have the most recent version.*

**Outsulation® System**

 Dryvit Technical Support: 800-556-7752	Detail: Horizontal Termination at Wood Siding				File Name:		 <b>TREMCO</b> Construction Products Group
	Drawn by: KAB	Checked by: CB	Scale: NTS	Date: 8/2023	OS 26		
www.tremcocpg.com							





**NOTE:**

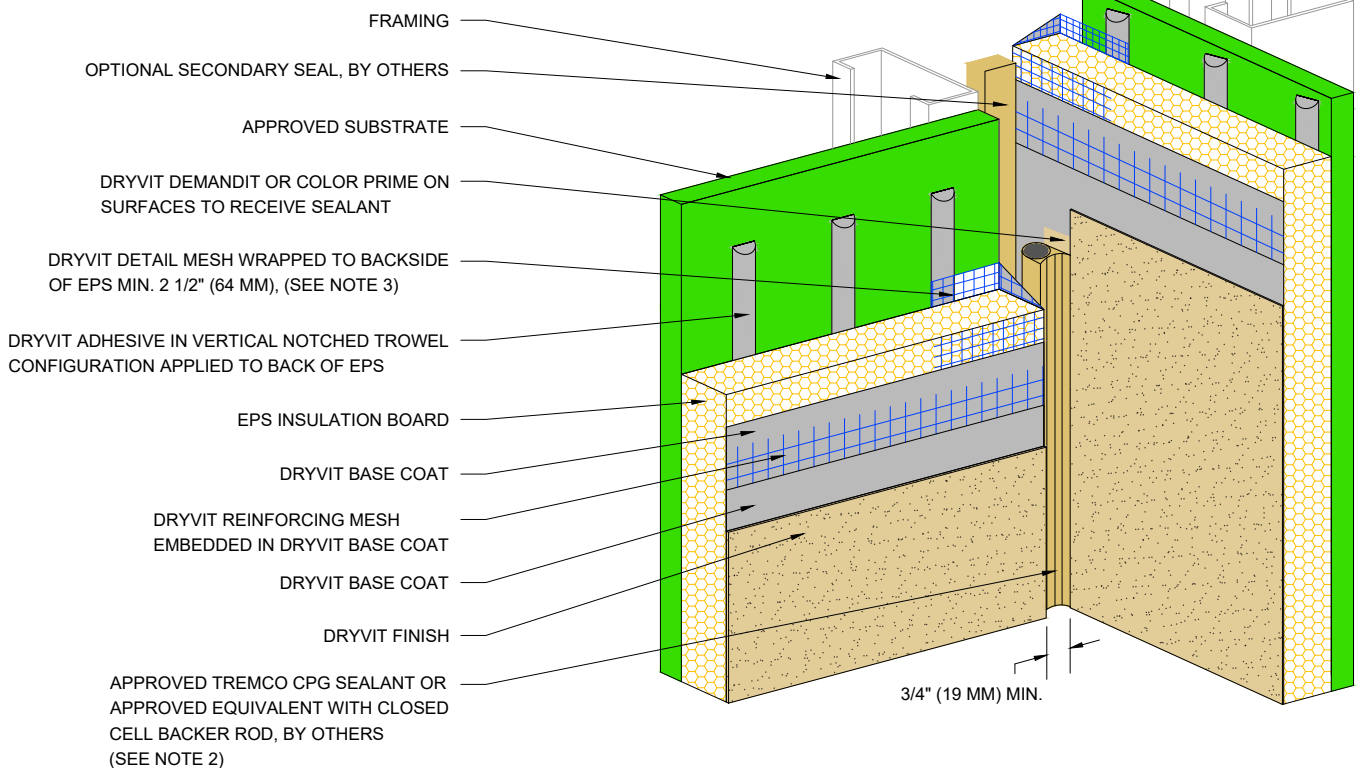
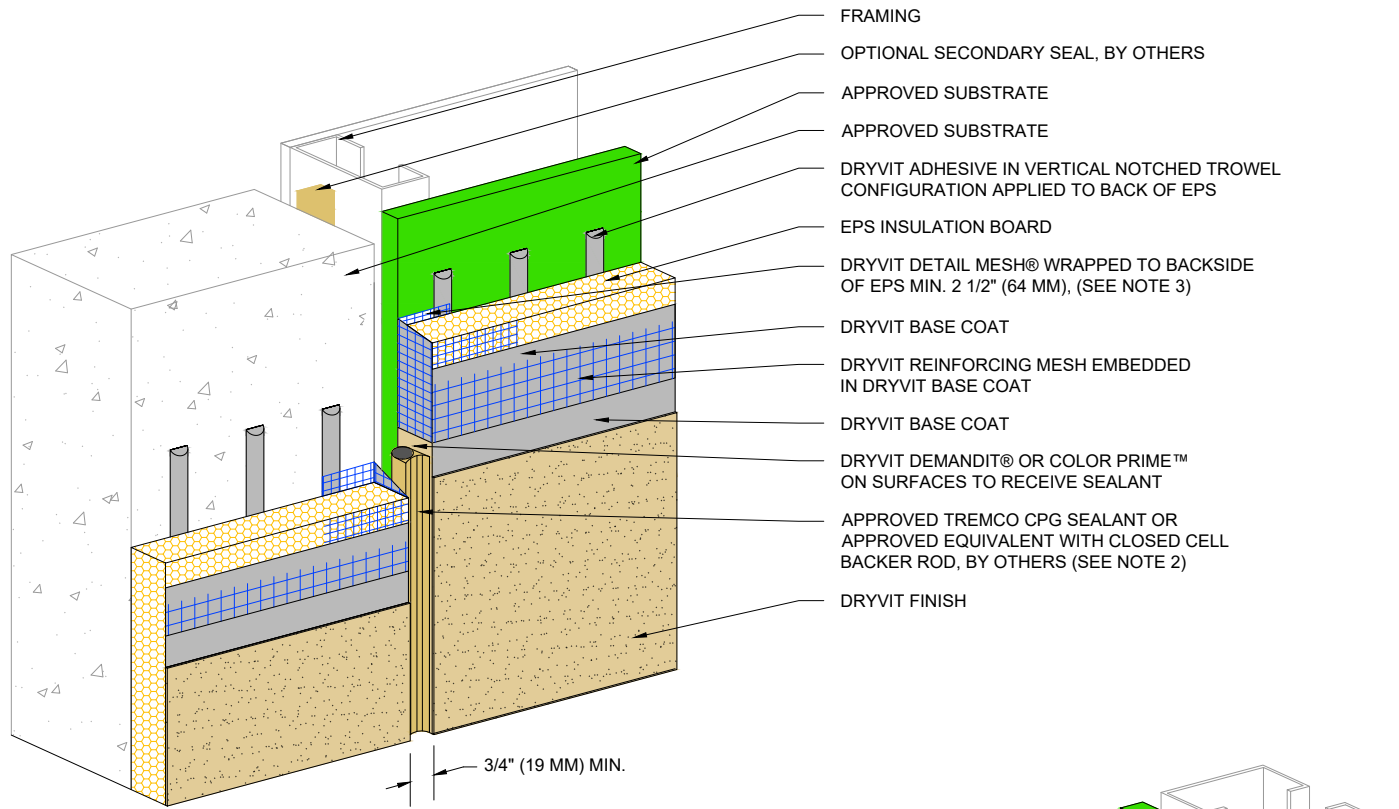
1. DRYVIT RECOMMENDS THAT GROUND FLOOR APPLICATIONS AND ALL FACADES EXPOSED TO ABNORMAL STRESS, HIGH TRAFFIC, OR DELIBERATE IMPACT HAVE THE BASE COAT REINFORCED WITH PANZER® MESH PRIOR TO STANDARD™ OR STANDARD PLUS™ MESH. LOCATION OF HIGH IMPACT ZONES SHOULD BE INDICATED ON CONTRACT DRAWINGS.

2. EIFS EXPANSION JOINTS ARE REQUIRED IN CONTINUOUS ELEVATIONS AT INTERVALS NOT EXCEEDING 75 FT (23 M).

*The architecture, engineering, and design of the project using the Dryvit products are the responsibility of the project's design professional. All products and systems must comply with local building codes and standards. This detail is for general information and guidance only and Dryvit specifically disclaims any liability for the use of this detail. The project design professional determines, in its sole discretion, whether this detail or a functionally equivalent detail is best suited for the project. This detail is subject to change without notice. Contact Dryvit to ensure you have the most recent version.*

**Outsulation® System**

 Dryvit Technical Support: 800-556-7752	Detail: Vertical Expansion Joint - EIFS				File Name:	
	Drawn by: KAB	Checked by: CB	Scale: NTS	Date: 8/2023	OS 27	
www.tremcocpg.com						
					 Construction Products Group	



**NOTE:**

1. DRYVIT RECOMMENDS THAT GROUND FLOOR APPLICATIONS AND ALL FACADES EXPOSED TO ABNORMAL STRESS, HIGH TRAFFIC, OR DELIBERATE IMPACT HAVE THE BASE COAT REINFORCED WITH PANZER® MESH PRIOR TO STANDARD™ OR STANDARD PLUS™ MESH. LOCATION OF HIGH IMPACT ZONES SHOULD BE INDICATED ON CONTRACT DRAWINGS.

2. LOCATE EXTERNAL SEALANT JOINT WITHIN 2" (51 MM) OF SUBSTRATE JOINT.

3. AS AN OPTION, THE REINFORCED BASE COAT MAY BE EXTENDED ONTO THE CONCRETE EDGE AND/OR FRAMING, CREATING AN EDGE WRAP RATHER THAN BACK WRAP.

*The architecture, engineering, and design of the project using the Dryvit products are the responsibility of the project's design professional. All products and systems must comply with local building codes and standards. This detail is for general information and guidance only and Dryvit specifically disclaims any liability for the use of this detail. The project design professional determines, in its sole discretion, whether this detail or a functionally equivalent detail is best suited for the project. This detail is subject to change without notice. Contact Dryvit to ensure you have the most recent version.*

**Outsulation® System**



Dryvit Technical Support: 800-556-7752

Detail: Through-Wall Expansion Joint

Drawn by: KAB

Checked by: CB

Scale: NTS

Date: 8/2023

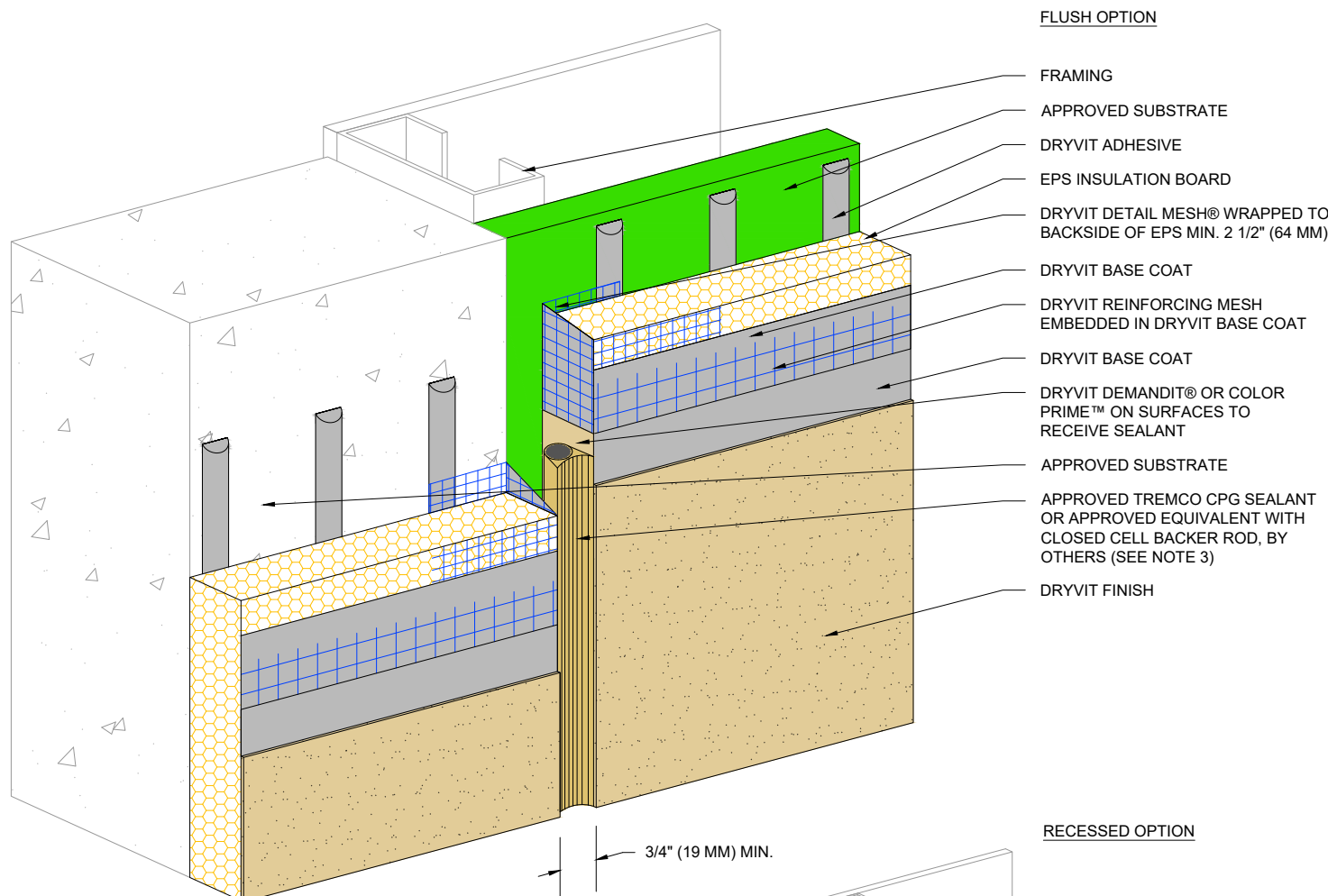
File Name:

OS 28



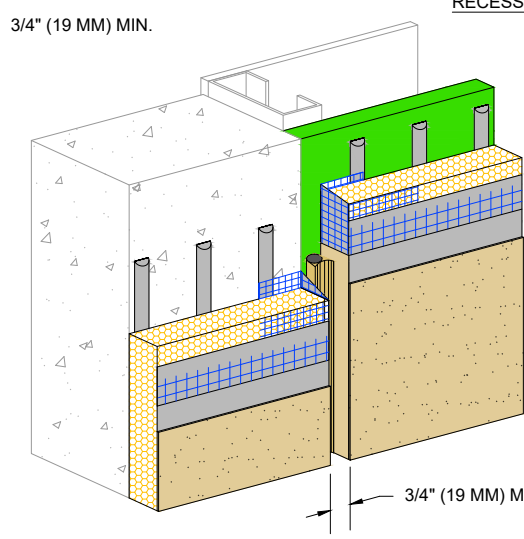
Construction Products Group

www.tremcocpg.com



**FLUSH OPTION**

- FRAMING
- APPROVED SUBSTRATE
- DRYVIT ADHESIVE
- EPS INSULATION BOARD
- DRYVIT DETAIL MESH® WRAPPED TO BACKSIDE OF EPS MIN. 2 1/2" (64 MM)
- DRYVIT BASE COAT
- DRYVIT REINFORCING MESH EMBEDDED IN DRYVIT BASE COAT
- DRYVIT BASE COAT
- DRYVIT DEMANDIT® OR COLOR PRIME™ ON SURFACES TO RECEIVE SEALANT
- APPROVED SUBSTRATE
- APPROVED TREMCO CPG SEALANT OR APPROVED EQUIVALENT WITH CLOSED CELL BACKER ROD, BY OTHERS (SEE NOTE 3)
- DRYVIT FINISH



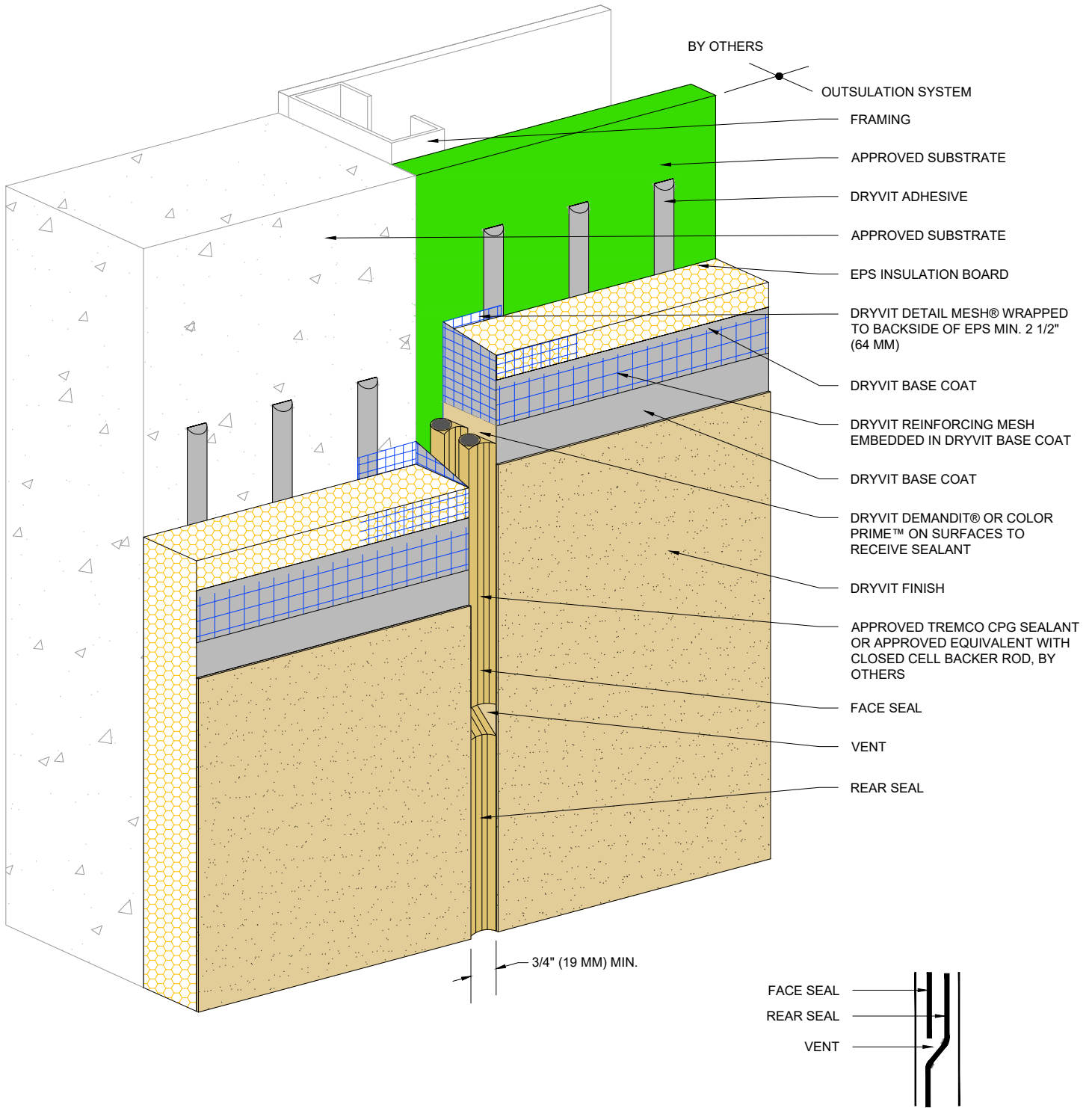
**RECESSED OPTION**

**NOTE:**  
 1. DRYVIT RECOMMENDS THAT GROUND FLOOR APPLICATIONS AND ALL FACADES EXPOSED TO ABNORMAL STRESS, HIGH TRAFFIC, OR DELIBERATE IMPACT HAVE THE BASE COAT REINFORCED WITH PANZER® MESH PRIOR TO STANDARD™ OR STANDARD PLUS™ MESH. LOCATION OF HIGH IMPACT ZONES SHOULD BE INDICATED ON CONTRACT DRAWINGS.

*The architecture, engineering, and design of the project using the Dryvit products are the responsibility of the project's design professional. All products and systems must comply with local building codes and standards. This detail is for general information and guidance only and Dryvit specifically disclaims any liability for the use of this detail. The project design professional determines, in its sole discretion, whether this detail or a functionally equivalent detail is best suited for the project. This detail is subject to change without notice. Contact Dryvit to ensure you have the most recent version.*

**Outsulation® System**



 Dryvit Technical Support: 800-556-7752	Detail: Vertical Expansion Joint - Flush and Recessed Options				File Name:		 Construction Products Group
	Drawn by: KAB	Checked by: CB	Scale: NTS	Date: 8/2023	OS 29		
www.tremcocpg.com							

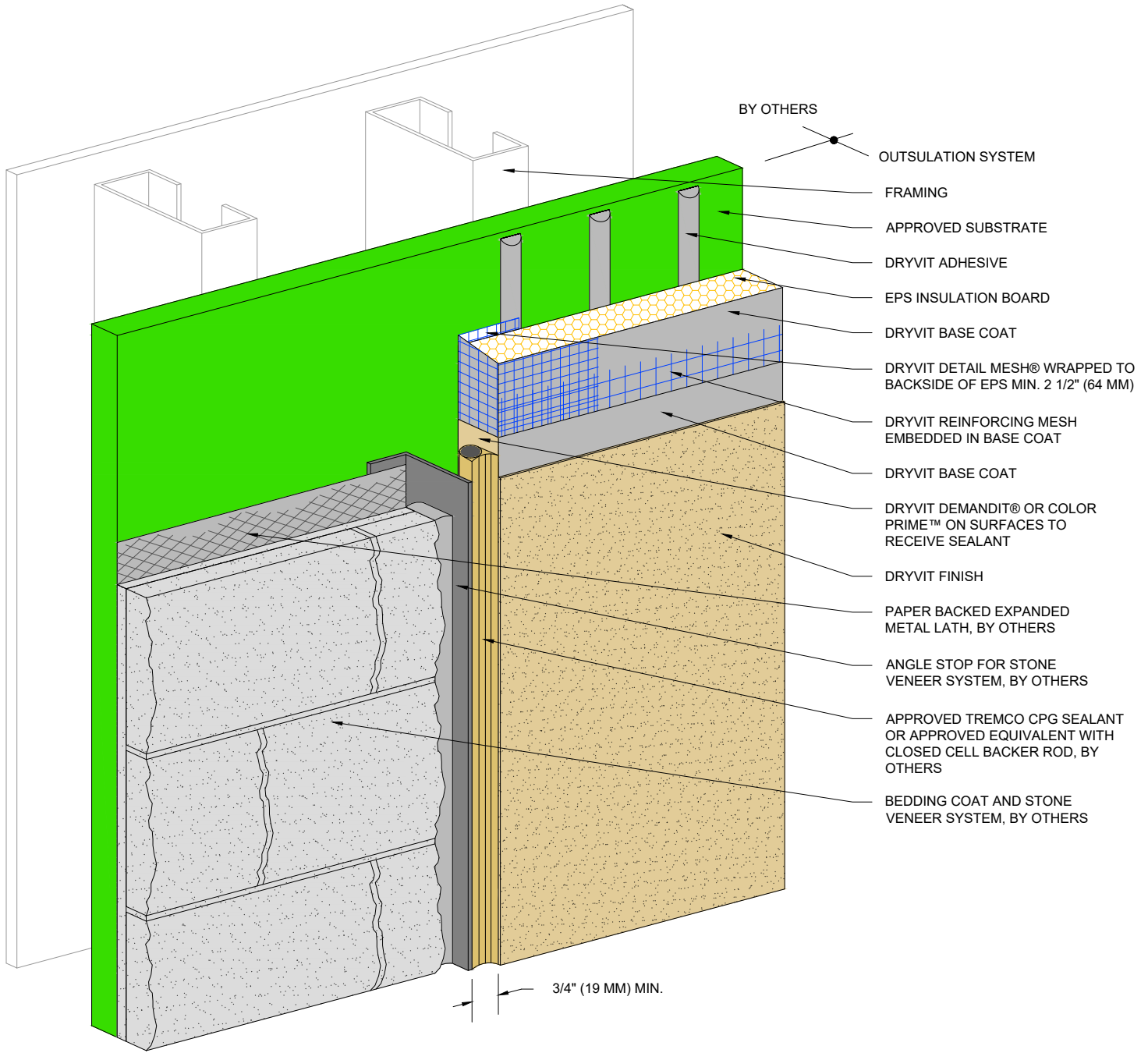


NOTE:  
 1. DRYVIT RECOMMENDS THAT GROUND FLOOR APPLICATIONS AND ALL FACADES EXPOSED TO ABNORMAL STRESS, HIGH TRAFFIC, OR DELIBERATE IMPACT HAVE THE BASE COAT REINFORCED WITH PANZER® MESH PRIOR TO STANDARD™ OR STANDARD PLUS™ MESH. LOCATION OF HIGH IMPACT ZONES SHOULD BE INDICATED ON CONTRACT DRAWINGS.

*The architecture, engineering, and design of the project using the Dryvit products are the responsibility of the project's design professional. All products and systems must comply with local building codes and standards. This detail is for general information and guidance only and Dryvit specifically disclaims any liability for the use of this detail. The project design professional determines, in its sole discretion, whether this detail or a functionally equivalent detail is best suited for the project. This detail is subject to change without notice. Contact Dryvit to ensure you have the most recent version.*

**Outsulation® System**



 Dryvit Technical Support: 800-556-7752	Detail: Vertical Expansion Joint - Double Seal Option				File Name:		 Construction Products Group
	Drawn by: KAB	Checked by: CB	Scale: NTS	Date: 8/2023	OS 30		
www.tremcocpg.com							

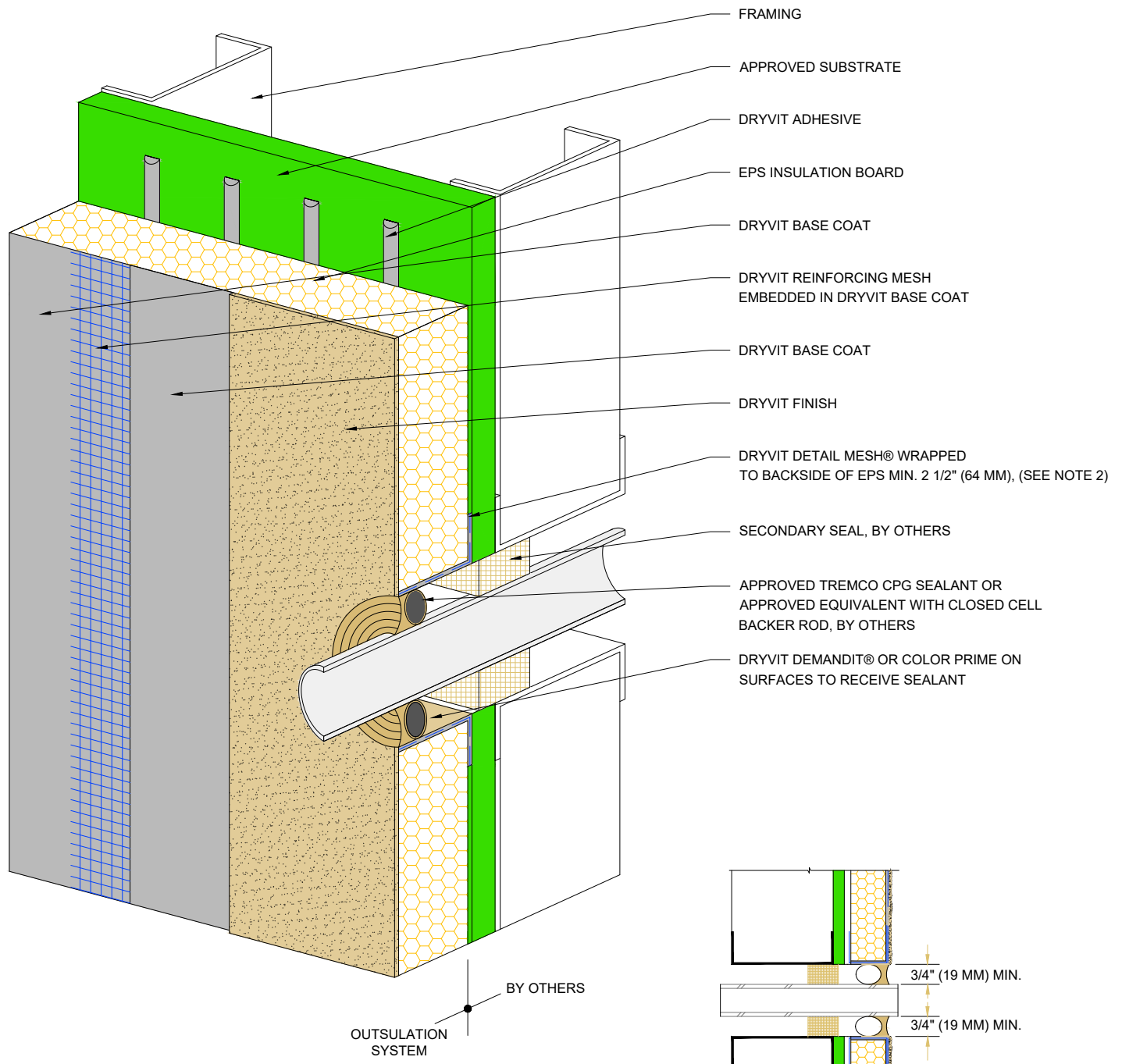


NOTE:  
 1. DRYVIT RECOMMENDS THAT GROUND FLOOR APPLICATIONS AND ALL FACADES EXPOSED TO ABNORMAL STRESS, HIGH TRAFFIC, OR DELIBERATE IMPACT HAVE THE BASE COAT REINFORCED WITH PANZER® MESH PRIOR TO STANDARD™ OR STANDARD PLUS™ MESH. LOCATION OF HIGH IMPACT ZONES SHOULD BE INDICATED ON CONTRACT DRAWINGS.

*The architecture, engineering, and design of the project using the Dryvit products are the responsibility of the project's design professional. All products and systems must comply with local building codes and standards. This detail is for general information and guidance only and Dryvit specifically disclaims any liability for the use of this detail. The project design professional determines, in its sole discretion, whether this detail or a functionally equivalent detail is best suited for the project. This detail is subject to change without notice. Contact Dryvit to ensure you have the most recent version.*

**Outsulation® System**

 Dryvit Technical Support: 800-556-7752	Detail: Vertical Termination At Stone Veneer				File Name:		 <b>TREMCO</b> Construction Products Group
	Drawn by: KAB	Checked by: CB	Scale: NTS	Date: 8/2023	OS 31		
www.tremcocpg.com							



NOTE:  
 1. DRYVIT RECOMMENDS THAT GROUND FLOOR APPLICATIONS AND ALL FACADES EXPOSED TO ABNORMAL STRESS, HIGH TRAFFIC, OR DELIBERATE IMPACT HAVE THE BASE COAT REINFORCED WITH PANZER® MESH PRIOR TO STANDARD™ OR STANDARD PLUS™ MESH. LOCATION OF HIGH IMPACT ZONES SHOULD BE INDICATED ON CONTRACT DRAWINGS.

2. AS AN OPTION, THE REINFORCED BASE COAT MAY BE EXTENDED ONTO THE FRAMING CREATING AN EDGE WRAP.

*The architecture, engineering, and design of the project using the Dryvit products are the responsibility of the project's design professional. All products and systems must comply with local building codes and standards. This detail is for general information and guidance only and Dryvit specifically disclaims any liability for the use of this detail. The project design professional determines, in its sole discretion, whether this detail or a functionally equivalent detail is best suited for the project. This detail is subject to change without notice. Contact Dryvit to ensure you have the most recent version.*

**Outsulation® System**



Dryvit Technical Support: 800-556-7752

Detail: Penetrations

Drawn by: KAB

Checked by: CB

Scale: NTS

Date: 8/2023

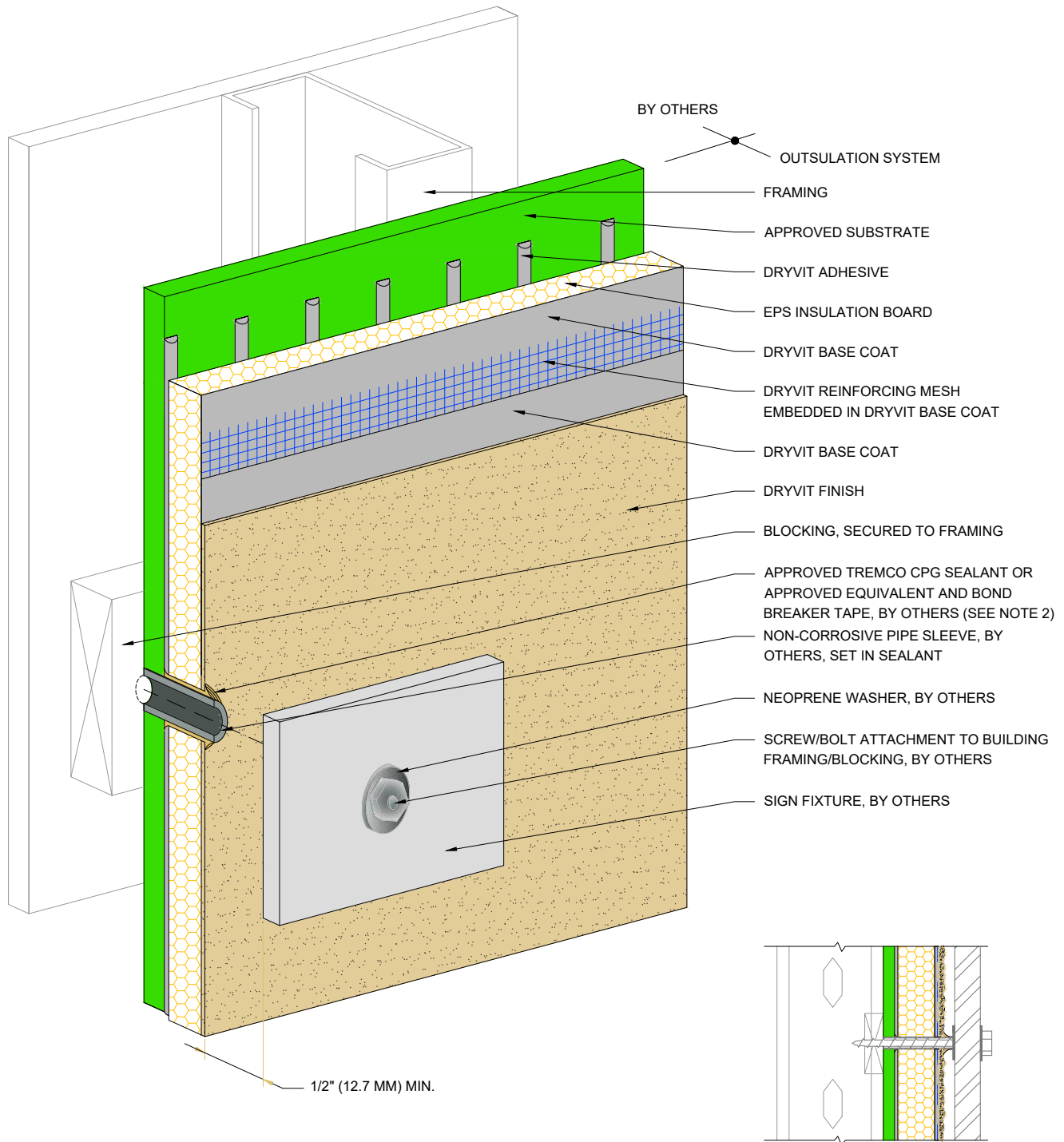
File Name:

OS 32



Construction Products Group

www.tremcocpg.com



**NOTE:**

1. DRYVIT RECOMMENDS THAT GROUND FLOOR APPLICATIONS AND ALL FACADES EXPOSED TO ABNORMAL STRESS, HIGH TRAFFIC, OR DELIBERATE IMPACT HAVE THE BASE COAT REINFORCED WITH PANZER® MESH PRIOR TO STANDARD™ OR STANDARD PLUS™ MESH. LOCATION OF HIGH IMPACT ZONES SHOULD BE INDICATED ON CONTRACT DRAWINGS.

2. PERIMETER OF PIPE SLEEVE IS CAULKED TO PREVENT WATER ENTRY INTO WALL.

*The architecture, engineering, and design of the project using the Dryvit products are the responsibility of the project's design professional. All products and systems must comply with local building codes and standards. This detail is for general information and guidance only and Dryvit specifically disclaims any liability for the use of this detail. The project design professional determines, in its sole discretion, whether this detail or a functionally equivalent detail is best suited for the project. This detail is subject to change without notice. Contact Dryvit to ensure you have the most recent version.*

**Outsulation® System**



Dryvit Technical Support: 800-556-7752

Detail: Sign Attachment

Drawn by: KAB

Checked by: CB

Scale: NTS

Date: 8/2023

File Name:

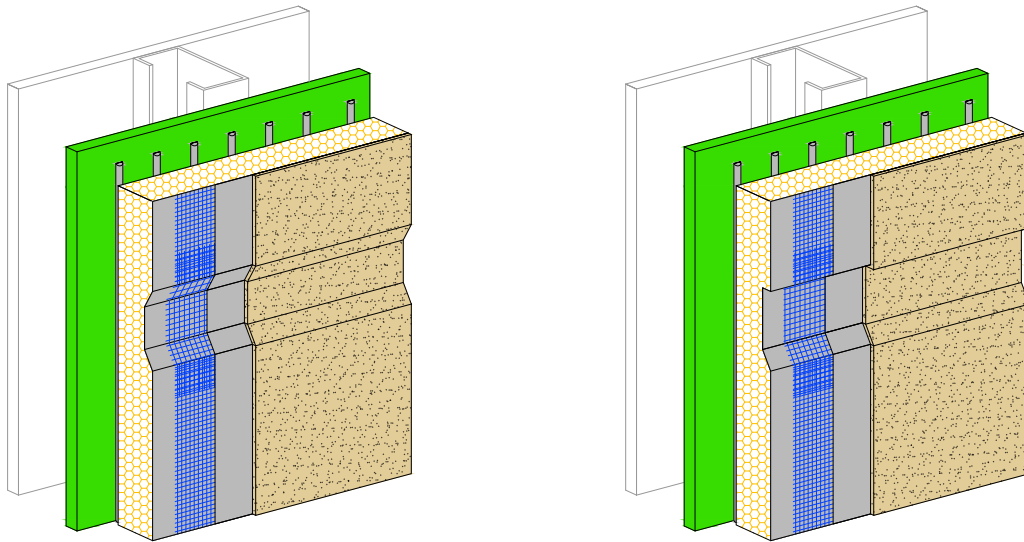
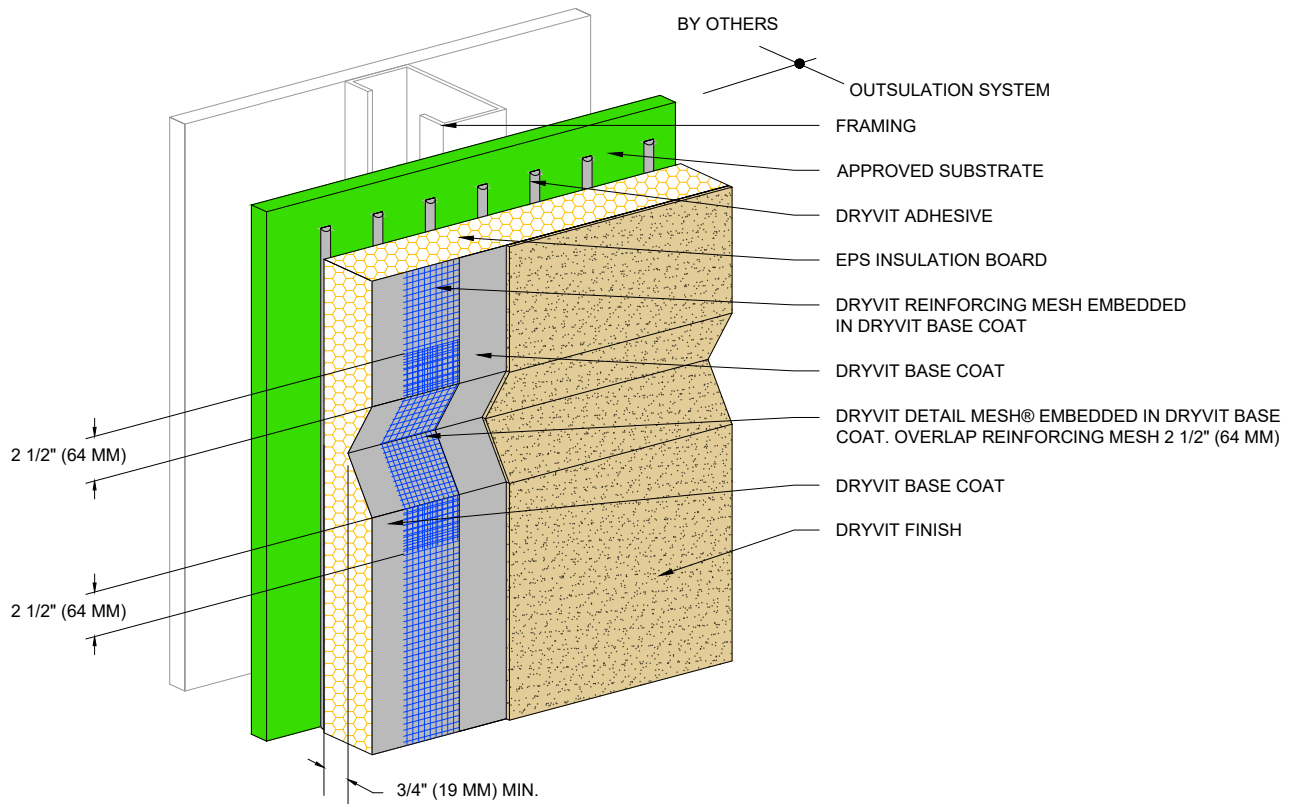
OS 33



Construction Products Group

www.tremcocpg.com





**NOTE:**  
 1. DRYVIT RECOMMENDS THAT GROUND FLOOR APPLICATIONS AND ALL FACADES EXPOSED TO ABNORMAL STRESS, HIGH TRAFFIC, OR DELIBERATE IMPACT HAVE THE BASE COAT REINFORCED WITH PANZER® MESH PRIOR TO STANDARD™ OR STANDARD PLUS™ MESH. LOCATION OF HIGH IMPACT ZONES SHOULD BE INDICATED ON CONTRACT DRAWINGS.

2. SLOPE BOTTOM EDGE OF REVEAL FOR POSITIVE DRAINAGE.

*The architecture, engineering, and design of the project using the Dryvit products are the responsibility of the project's design professional. All products and systems must comply with local building codes and standards. This detail is for general information and guidance only and Dryvit specifically disclaims any liability for the use of this detail. The project design professional determines, in its sole discretion, whether this detail or a functionally equivalent detail is best suited for the project. This detail is subject to change without notice. Contact Dryvit to ensure you have the most recent version.*

**Outsulation® System**



Dryvit Technical Support: 800-556-7752

Detail: Aesthetic Reveals

Drawn by: KAB

Checked by: CB

Scale: NTS

Date: 8/2023

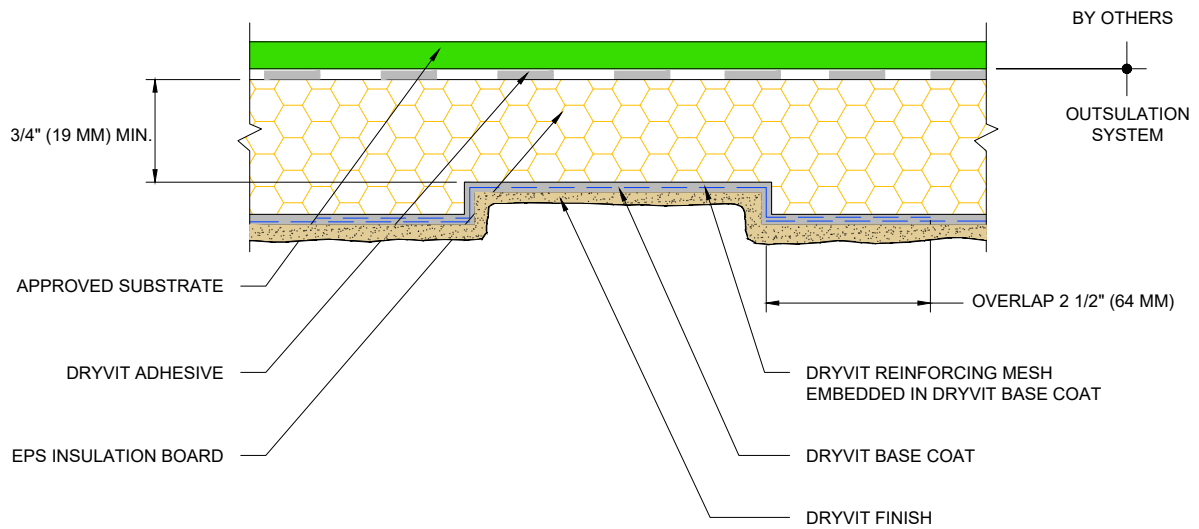
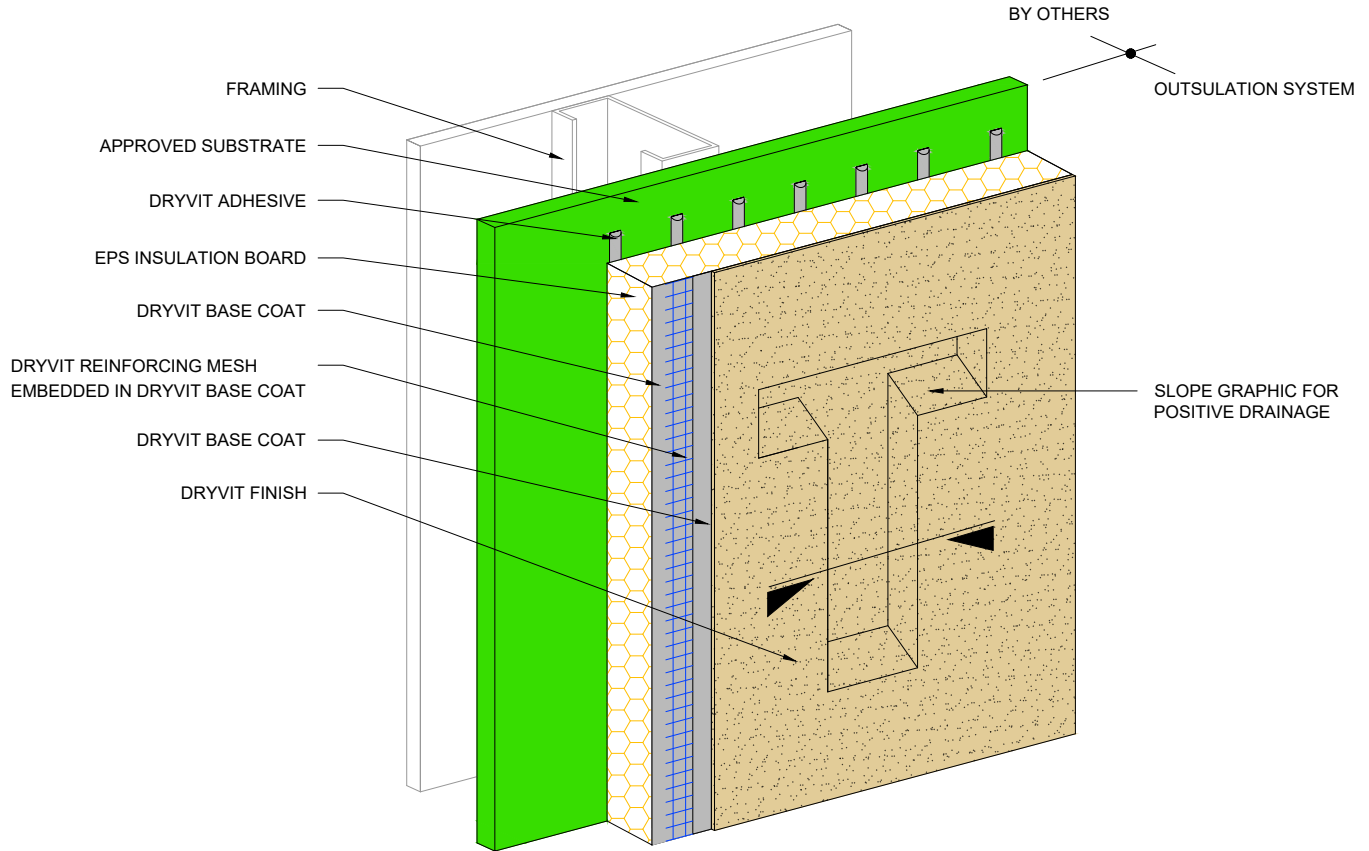
File Name:

OS 34



Construction Products Group

www.tremcocpg.com



The architecture, engineering, and design of the project using the Dryvit products are the responsibility of the project's design professional. All products and systems must comply with local building codes and standards. This detail is for general information and guidance only and Dryvit specifically disclaims any liability for the use of this detail. The project design professional determines, in its sole discretion, whether this detail or a functionally equivalent detail is best suited for the project. This detail is subject to change without notice. Contact Dryvit to ensure you have the most recent version.

**Outsulation® System**



Dryvit Technical Support: 800-556-7752

Detail: Recessed Graphics

Drawn by: KAB

Checked by: CB

Scale: NTS

Date: 8/2023

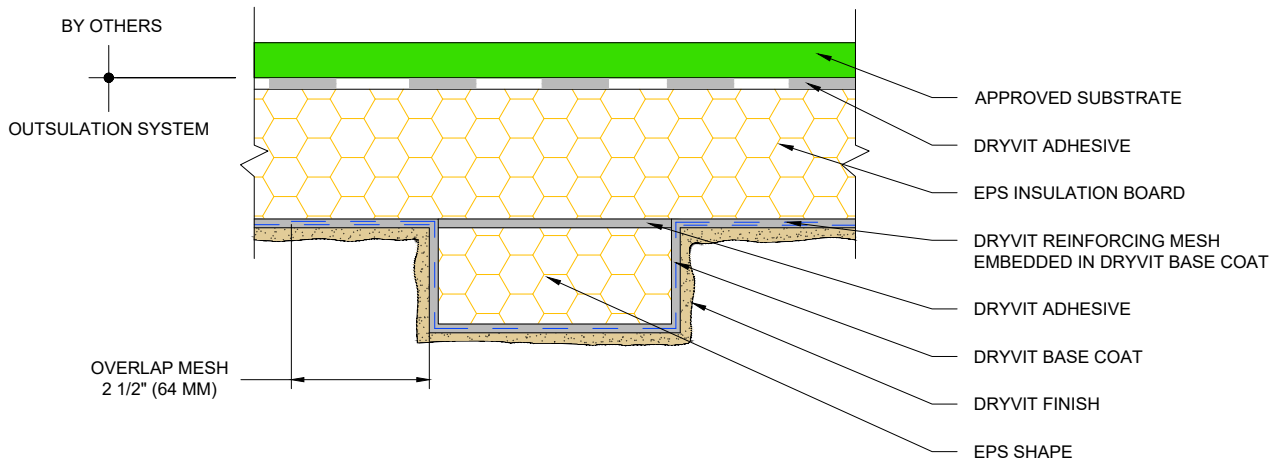
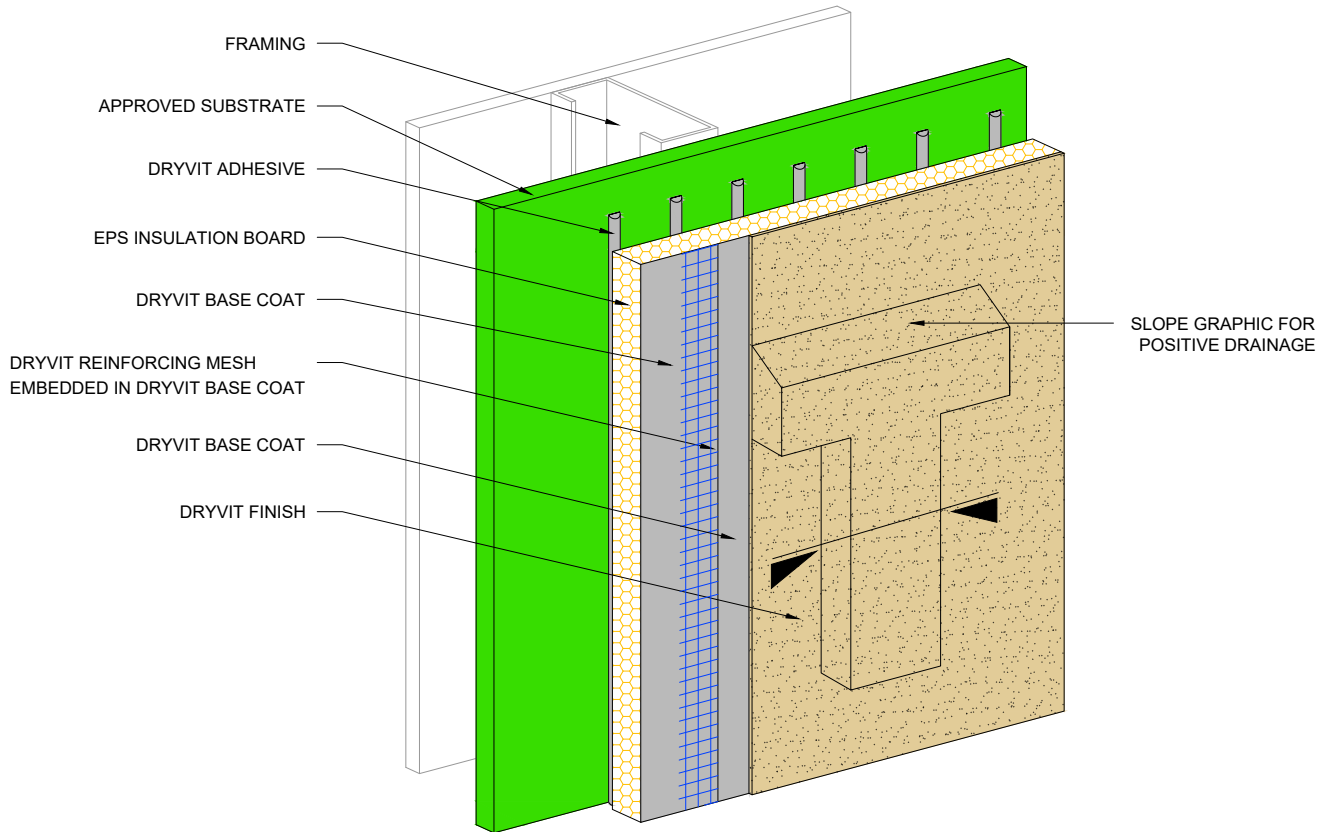
File Name:

OS 35



Construction Products Group

www.tremcocpg.com



NOTE:  
1. MAXIMUM THICKNESS OF EPS BUILT OUT SHAPES SHALL NOT EXCEED 13 INCHES (330 MM) AT ANY POINT MEASURED FROM THE SUBSTRATE.

The architecture, engineering, and design of the project using the Dryvit products are the responsibility of the project's design professional. All products and systems must comply with local building codes and standards. This detail is for general information and guidance only and Dryvit specifically disclaims any liability for the use of this detail. The project design professional determines, in its sole discretion, whether this detail or a functionally equivalent detail is best suited for the project. This detail is subject to change without notice. Contact Dryvit to ensure you have the most recent version.

### Outsulation® System



Dryvit Technical Support: 800-556-7752

Detail: Projecting Graphics

Drawn by: KAB

Checked by: CB

Scale: NTS

Date: 8/2023

File Name:

OS 36



Construction Products Group

www.tremcocpg.com